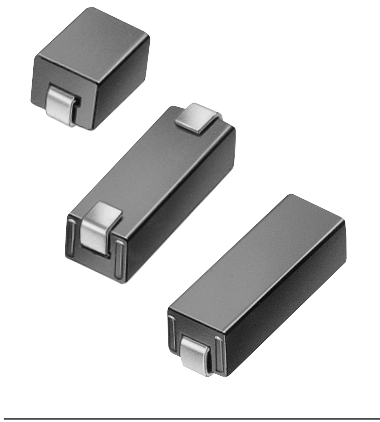


AWB TYPE

CHIP BEAD SUPPRESSOR



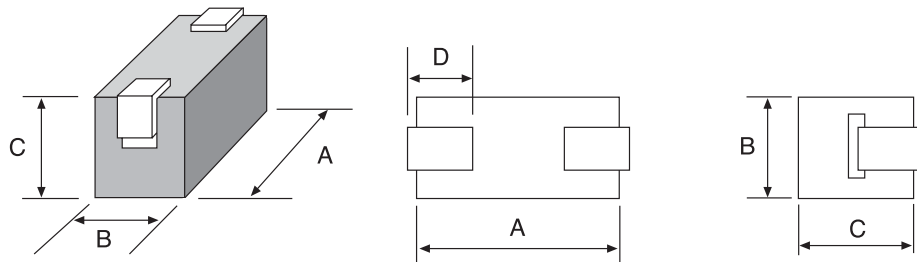
PRODUCT IDENTIFICATION

AWB - **40** **30** **25**

1 2 3 4

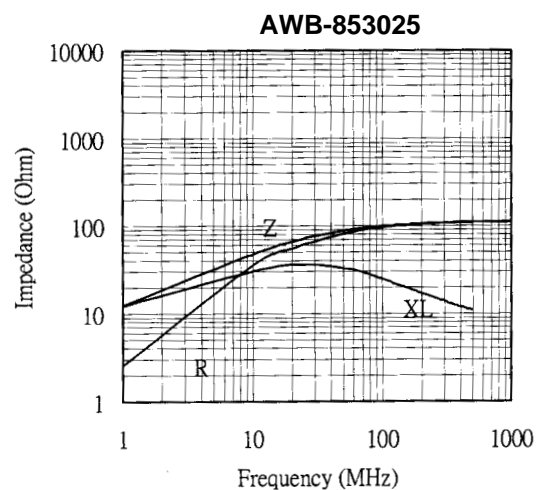
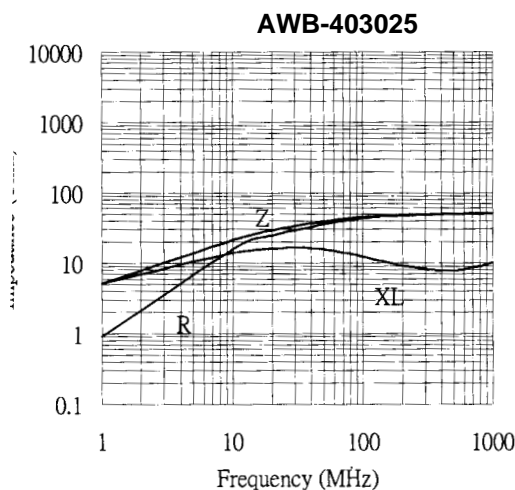
- 1) PRODUCTS SYMBOL
- 2) DIMENSION (A)
- 3) DIMENSION (B)
- 4) DIMENSION (C)

SHAPES & DIMENSION



PART NO.	DIMENSION (m/m)				IMPEDANCE (Ω)		DC RESISTANCE
	A	B	C	D	25MHz	100MHz	(m Ω) Max
AWB-403025	4.00 \pm 0.15	3.10 \pm 0.10	2.54 \pm 0.10	1.35 \pm 0.20	23Min	47 \pm 20%	0.6
AWB-853025	8.50 \pm 0.15	3.10 \pm 0.10	2.54 \pm 0.10	2.00 \pm 0.20	45Min	95 \pm 20%	0.9

IMPEDANCE VS. FREQUENCY CHARACTERISTIC



AWB TYPE

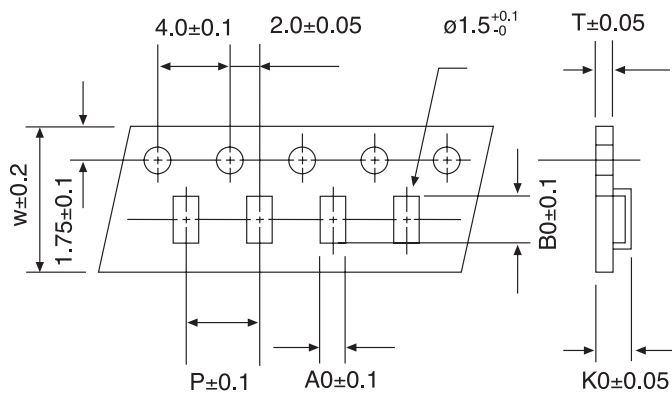
CHIP BEAD SUPPRESSOR

STANDARD PACKAGING

TAPE DIMENSION

Dimension in mm

TYPE	A0	B0	K0	W	P	T
AWB-403025	3.6	4.9	3.4	12	8	0.25
AWB-853025	3.6	9.5	3.4	16	8	0.25



REEL DIMENSION

Dimension in mm

TYPE	Q'TY	A	B	C	G	N	T
AWB-403025	500pcs	178	21	13	12.4	70	16.4
AWB-403025	3000pcs	330	21	13	12.4	75	16.4
AWB-853025	500pcs	178	21	13	16.0	70	20.4
AWB-853025	3000pcs	330	21	13	16.4	75	20.4

