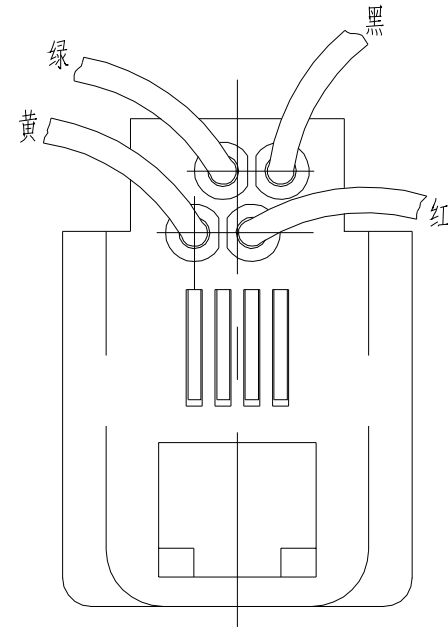
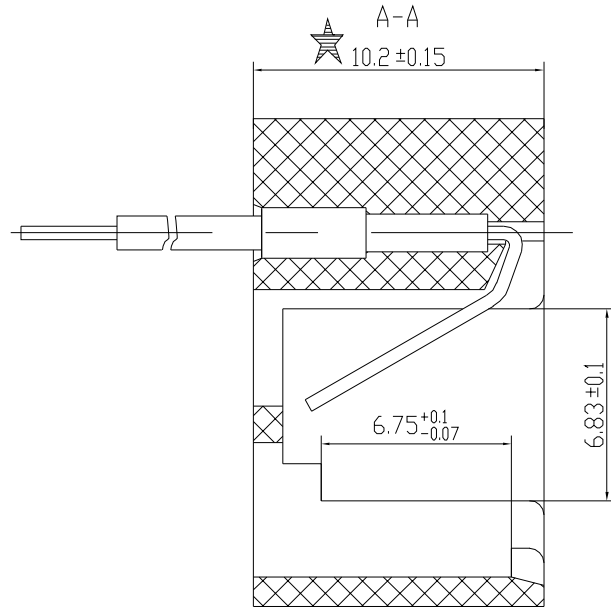
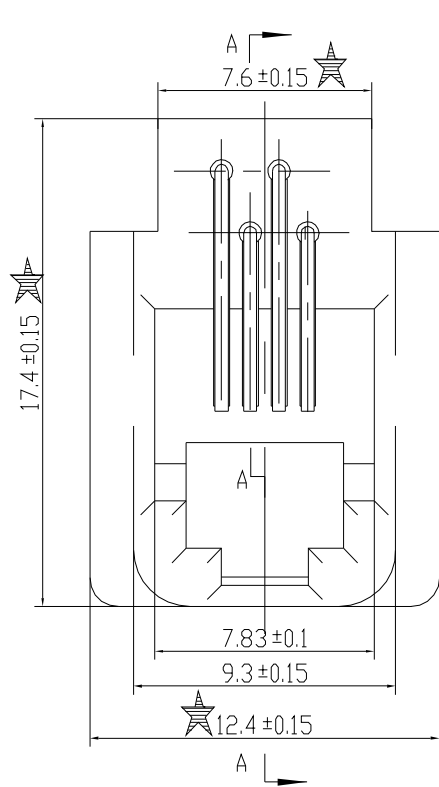


YH-104

REV.	ECN NO.	DATE



- NOTES:
- ELECTRICAL:
 - VOLTAGE RATING: 125 VAC RMS;
 - CURRENT RATING: 1.5 AMP;
 - CONTACT RESISTANCE: 20 MILLIOHMS Max;
 - INSULATION RESISTANCE: 1000 MEGOHMS Min @500 VDC;
 - DIELECTRIC STRENGTH: 1000 VAC RMS 50 or 60Hz 1 Minute;
 - MECHANICAL:
 - HOUSING: ABS, UL94V-0, GRAY;
 - TERMINALS: DIA 0.46 PHOSPHOR BRONZE PLATED 3u" Au;
 - DURABILITY: 750 CYCLES Min.
 - ★ Critical Dimension.

RoHS Compliant

CZT® 意华通讯接插件有限公司
YIHUA COMMUNICATED CONNECTOR CO.,LTD.

15~30: ±0.20
30~ : ±0.25

SCALE: 4:1 UNIT: mm CUSTOMER: MODEL NO.:

TOLERANCES
0~15: ±0.15
15~30: ±0.20
30~ : ±0.25
ANGLES: ±1°

MATERIAL: SEE NOTE
FINISH:
SHEET 1 OF 1

Designed:
Checked:
Approved:

NAME: 616M 4P4C
DWG NO.: Q07081004
PART NO.: B207N-4403-F002
REV: 00