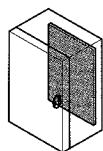
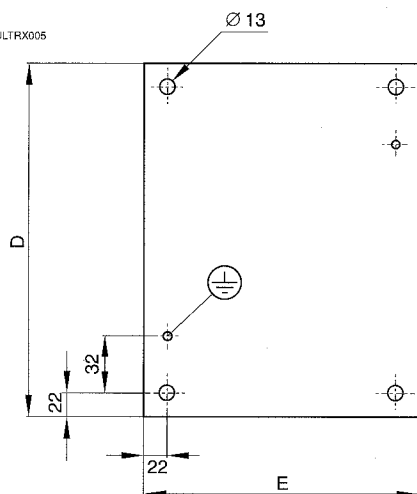


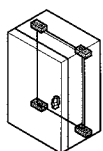
ULTRX fiberglass enclosures



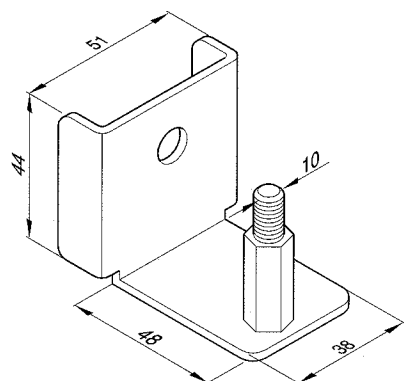
ULTRX005



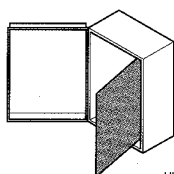
ULTRX006



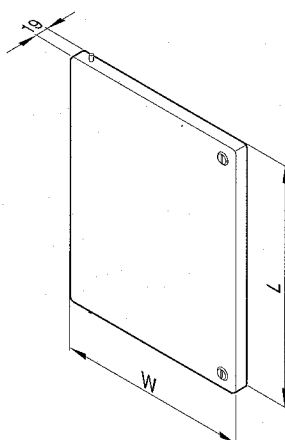
ULTRX007



ULTRX008



ULTRX009



ULTRX010

Mounting plate

To mount electromechanical equipment.

Delivery comprises

Item	Qty	Description	Material	Finish	Notes
1	1	Mounting plate	St 2.5 mm	RAL 2000	Assembly parts supplied with basic enclosure

For enclosure A x B	D	E	Order No.
513 x 412	432	330	12403-300
625 x 612	533	432	12403-301
625 x 513	533	533	12403-302
775 x 612	686	533	12403-303
1025 x 825	940	737	12403-304

Adjustment bracket for mounting plate

These allow mounting plates to be fitted at different depths in the enclosure. The brackets are attached to the rail in the enclosure.

Delivery comprises

Item	Qty	Description	Material	Finish
1	4	Adjustment bracket	St	Chrome-plated
2	1 kit	Assembly parts		

Delivery: in kit form

Order No. **12403-326**

Hinged mounting plate

To mount additional electromechanical equipment.
Can be mounted in addition to a standard mounting plate.

Delivery comprises

Item	Qty	Description	Material	Finish
1	1	Mounting plate	St 2.5 mm	white
2	1 kit	Assembly parts		

For enclosure A x B	L	W	Order No.
496 x 395	432	330	12403-311
608 x 496	535.9	431.8	12403-312
608 x 608	533	533	12403-313
758 x 595	686	533	12403-314
1008 x 808	934.7	736.6	12403-310