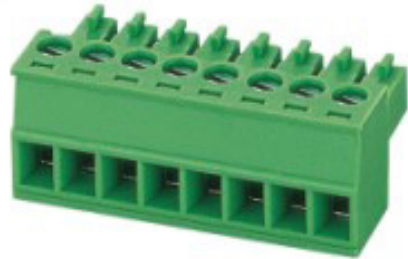


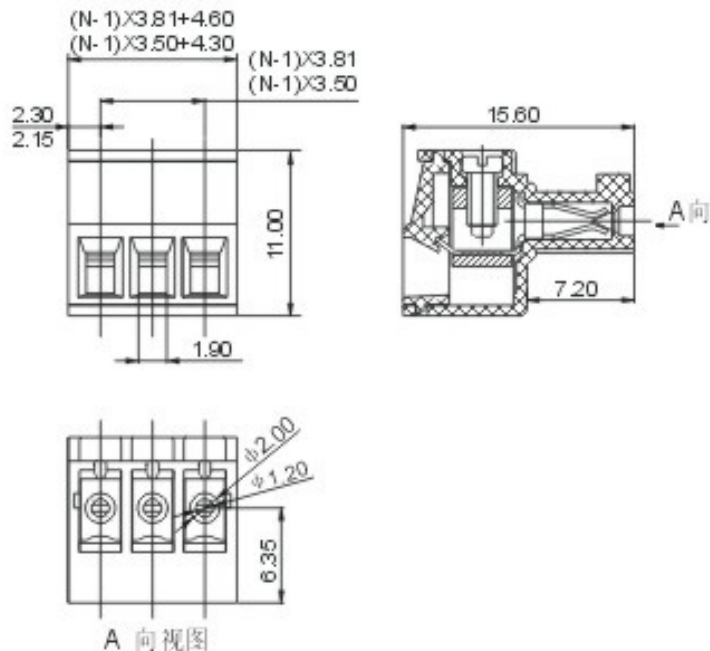


DEGSON ELECTRONICS CO., LTD.

Product Specification



15EDGK-3.5
15EDGK-3.81



Approval



Electrical

Standard	UL	IEC
Rated voltage	300V	250V
Rated current	8A	7A
Wire range	28-16AWG	0.5-1.5mm ²
With standing voltage	AC2000V/1Min	

Mechanical

Torque	0.2Nm (1.7Lb-In.)
Ambient temperature	-40°C ~ +105°C
Strip length	7mm

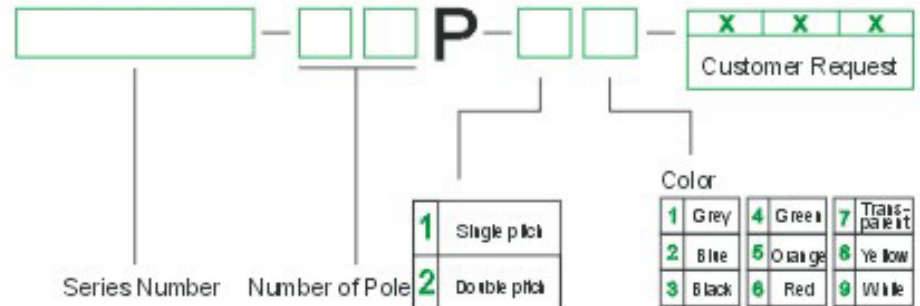
Dimensions

Pitch	3.5mm (.138") / 3.81mm (.150")
Poles	2P-24P

Material

Housing	PA66, UL94V-0
Screws	M2, steel, Cr ³⁺ Zn plated
Contact	Phosphor bronze
Cage	Brass, Ni plated

HOW TO ORDER



	DEGSON ELECTRONICS CO., LTD.
	NAME 15EDGK-3.5 15EDGK-3.81