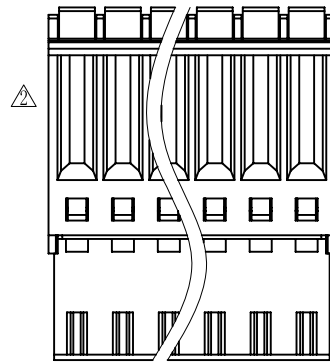
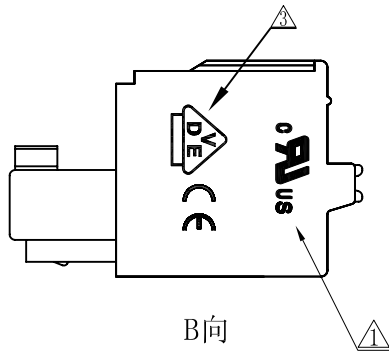
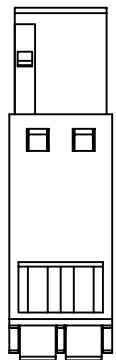
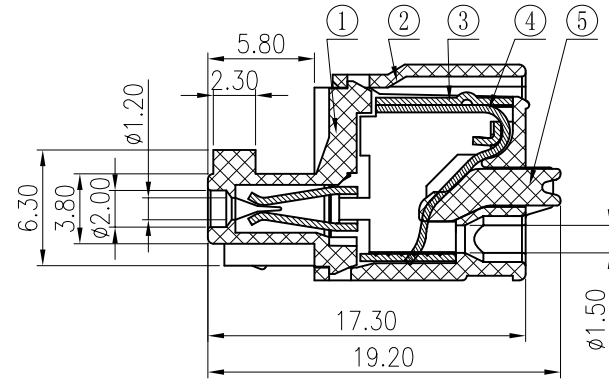
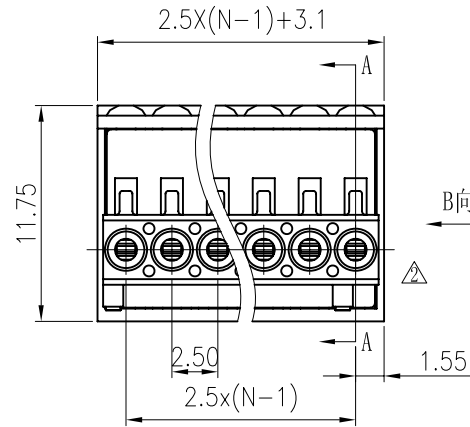
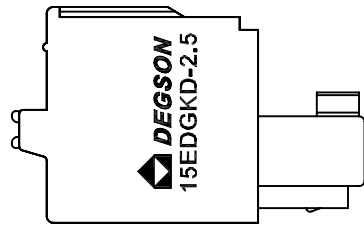


REVISION RECORD					
REV	ECN	DESCRIPTION	DRFT	DATE	
△	10-0070	增加UL刻字及参数	GHY	04/08/10	
△	10-0287	修改外观	Jinhai.Lan	08/31/10	
△	10-0321	增加VDE刻字及修改参数	ZXX	09/28/10	

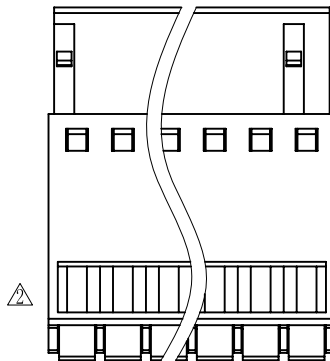


- Notes:
- Pitch:2.5, Poles:2-12P
  - Rated voltage/Current:UL 150V 4A △  
VDE 250V 5A △
  - Operation temperatures:-40℃~+105℃
  - Rated impulse voltage: 1.5KV
  - Withstanding Voltage:AC1500V/1min
  - Insulation Resistance:5000MΩ/DC1000V
  - Wier Range:26-20AWG, 0.2-0.5mm<sup>2</sup> △
  - Undimensioned Tolerances:

Pitch range in mm		Nominal dimension range in mm					—
to 6	over 6 to 10	over 10 to 24	to 30	over 30 to 60	over 60 to 100	over 100 to 150	∩ □
±0.10	±0.15	±0.25	±0.2	±0.3	±0.5	±0.7	±1.0



\*02P\*



ITEM	NAME OF PART	NO. OF PART	Q"TY	MATERIAL	NOTES
5	15EDGKD-2.5 Button	1100D05XXC (H)	XX	POM	UL94HB
4	15EDGKD-2.5 Spring	X000003900 (H)	XX	Stainless steel	
3	15EDGKD-2.5 Clamp	1100B00010 (H)	XX	Phosphor bronze	Snce
2	15EDGKD-2.5 Housing	1100A0YXXA (H)	1	PA66	UL94V-0
1	15EDGKD-2.5 Cover	1100C0YXXA (H)	1	PA66	UL94V-0

DETACHED LISTS	MM (INCH)	DFTO L1N	DATE 10/20/08	宁波高正电子有限公司 DEGSON ELECTRONICS CO., LTD	
	TOLERANCES EXCEPT AS NOTED	CHKD	DATE		
		MFD	DATE		
		APPVL	DATE		
	MATERIAL :	NAME			
	ANGLES ± 1°	15EDGKD-2.5-XXP-1Y-00A (H)			
	THIRD ANGLE PROJECTION	G.E :	DRAWING NO. 15EDGKD-2.5-E01		SIZE A4
		FINISH:	/PART NO.		REV T3
		SCALE : 1:1	DO NOT SCALE DRAWING		09/28/10
			SHEET 1		OF 1