

FATM-0416S Instruction Manual

1. Description:

The equipment is used as a termination point for the feeder cable to connect with drop cable in FTTx communication network system. The fiber splicing, splitting, distribution can be done in this box, and meanwhile it provides solid protection and management for the FTTx network building.

2. Features:

- 1.Total enclosed structure.
2. Material: PC+ABS, wet-proof,water-proof,dust-proof,anti-aging,protection level up to IP65.
3. Clamping for feeder cable and drop cable, fiber splicing, fixation, storage, distribution...etc all in one.
4. Cable, pigtailed, patch cords are running through own path without disturbing each other,cassette type SC adaptor installation, easy maintenance.
5. Distribution panel can be flipped up, feeder cable can be placed by expression port, easy for maintenance and installation.
6. Cabinet can be installed by the way of wall-mounted or poled-mounted, suitable for both indoor and outdoor uses.

3. Specification:

1.Environmental requirement

Working temperature:-40°C~+60°C

Relative humidity:≤85% (+30°C)

Atmospheric pressure:70KPa~106Kpa

2.Main technical datasheet

Insertion loss:≤0.2dB

UPC return loss:≥50dB

APC return loss:≥60dB

Life of insertion and extraction:>1000 times

3.Thunder-proof technical datasheet

The grounding device is isolated with the cabinet, isolation resistance is less than $2 \times 10^4 \text{M}\Omega/500\text{V}$ (DC) ;

$IR \geq 2 \times 10^4 \text{M}\Omega/500\text{V}$

The withstand voltage between grounding device and cabinet is no less than 3000V (DC) /min, no puncture, no flashover

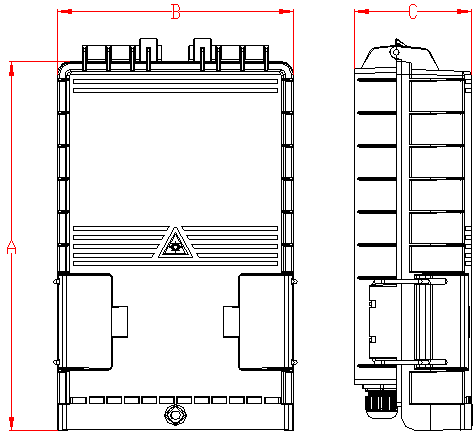
;U≥3000V

4. Configuration table:

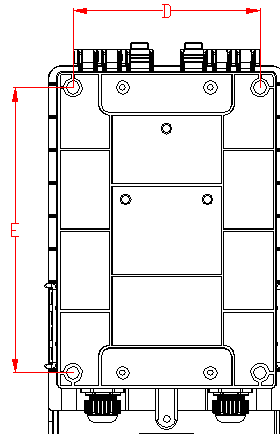
Table 1 Model and configuration

Model	Size (Pic 1)	Max Capacity			Installation Size(Pic 2)
	AxBxC(mm)	splitting	splicing	PLC	DxE (mm)
FATM-0416S	274*175*82	16	16	1/8*2	140*80*184.5

FATM-0416S Instruction Manual

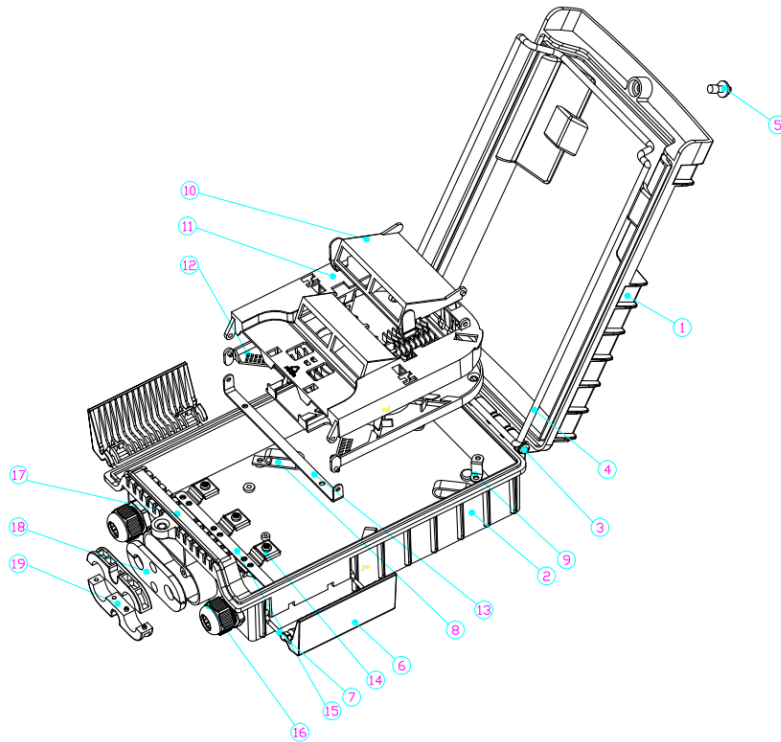
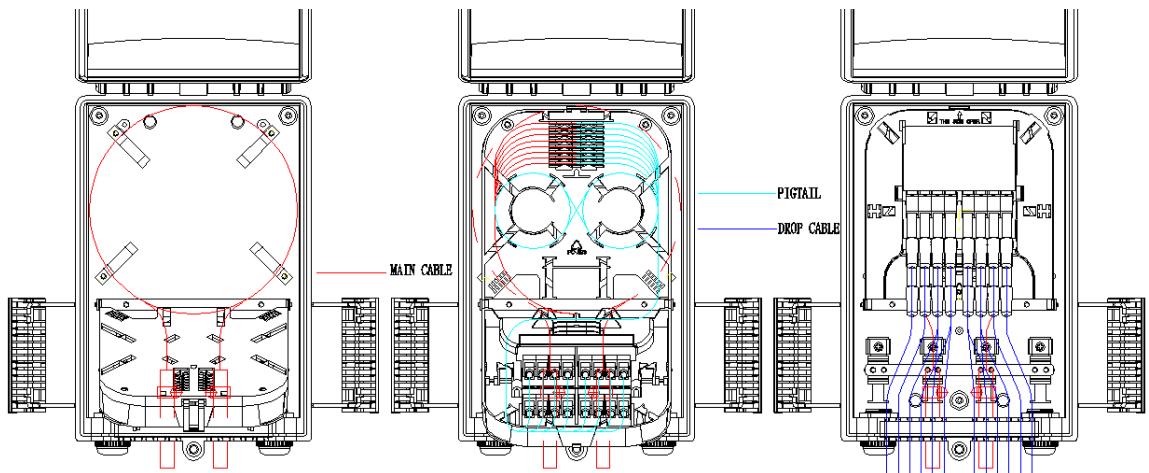


Pic 1 Box Size



Pic 2 Installation Size

5. Product inside structure and cable ways:



FATM-0416S Instruction Manual

1. 16W Lid; 2. 16W Base;3.Connecting screw;4.Rubber seal;5. Locked bolt;6. 8B/12D Door clip;7. 8B/12D Door clip connecting bracket;8.Loop ring;9.The flap fixed bracket;10.FDB0212E C type flip plate;11.FB0212E B type flip plate;12.FDB0212E A type flip plate;13.Flip bracket;14.FDB026H Fiber fixer;15.FDB0212E Grounding bracket;16.PG13.5 Water proof blocker;17.FDB0216W Cable exit mat;18.E type link-2;19.E type link -1;Cable ways

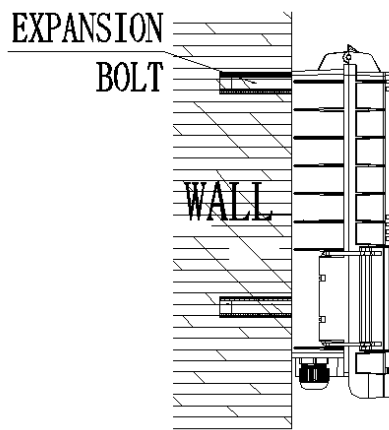
6. Installation:

1. Wall-mounted installation

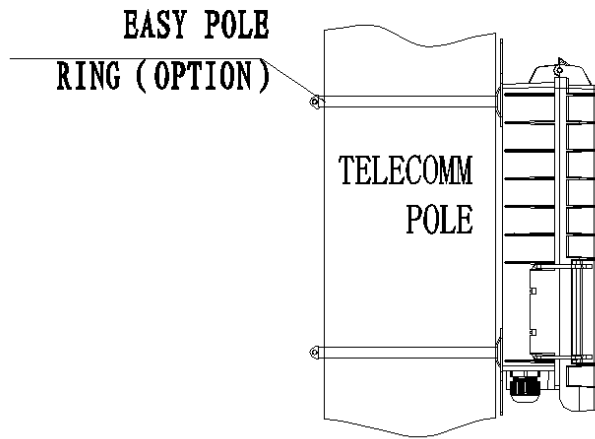
Drill 4 holes over the wall based on the size in table 1, place the expansion bolt $\Phi 7.5 \times 40$, place the box to match up the holes and use bolt to fasten. (Pic 3)

2. Pole-mounted installation

Fix 1 set of the easy pole ring to the telecom pole. (Pic 4)



Pic 3 Wall mounted installation



Pic 4 Pole mounted installation

7. Accessories

1. Instructions * 1
2. key * 1
3. Simple hoop * 2 , back sheet *2(optional).
4. Accessory Bag * 1