

16mm Rotary Potentiometers

KLS4-WH148 Series

Mechanical specifications:

Total rotation angle: $300^{\circ} \pm 5^{\circ}$
 Rotation torque: 2 ~ 20mN.m (20 ~ 200gf.cm)
 Shaft stop strength: 6Kgf.cm
 Push pull strength: 60N
 Rotary life: 10000 cycles
 Click position: Center detent or 10,20,40, position clicks

Electrical specifications:

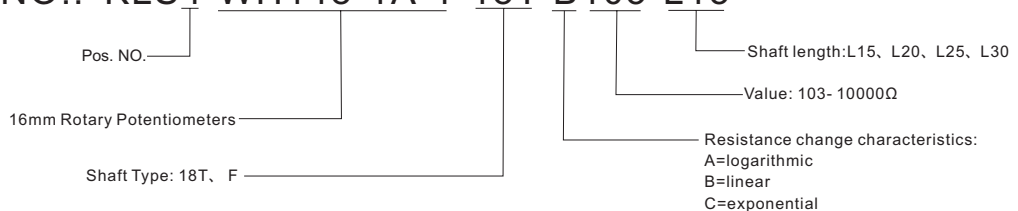
Total resistance: $5K\Omega \sim 2M\Omega$
 Resistance taper: A, B, C
 Resistance tolerance: $\pm 20\%$
 Rotational noise: ≤ 47 mV
 Residual resistance: $R \geq 250K\Omega$ 0.1% max. of total resistance
 $250K\Omega > R > 10K\Omega$ 20 Ω max
 $10K\Omega \geq R$ 10 Ω max
 Tracking error: 0 ~ -40dB 3 dB
 Rated wattage: Curve B: 0.125W; Other than B: 0.063 W
 Max, operating voltage: Curve B: 200 V; Other than B: 150 V
 Dielectric: AC500V, 1 minute
 Insulation resistance: More than 100M Ω at DC500V



18T	L	15	20	25	30	F	L	15	20	25	30
	l	7	12	12	12	F	7	12	12	12	

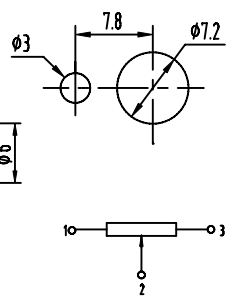
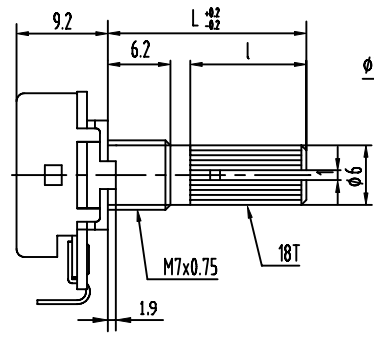
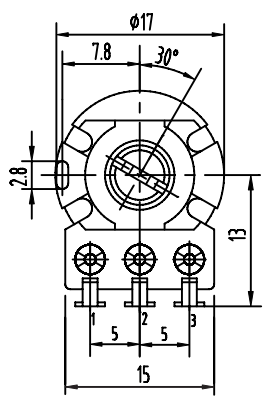
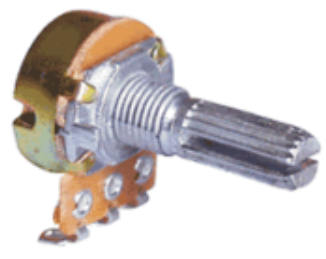
ORDER INFORMATION

Product NO.: KLS4-WH148-1A-1-18T-B103-L15

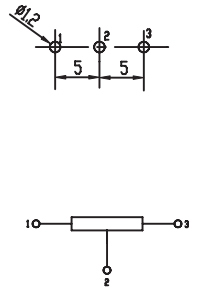
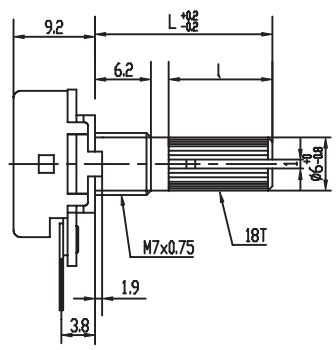
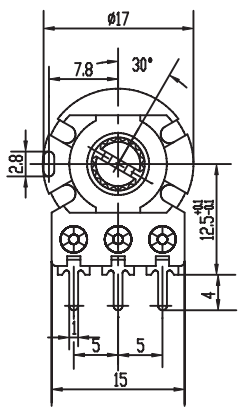


16mm Rotary Potentiometers

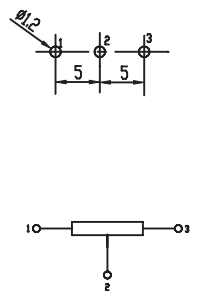
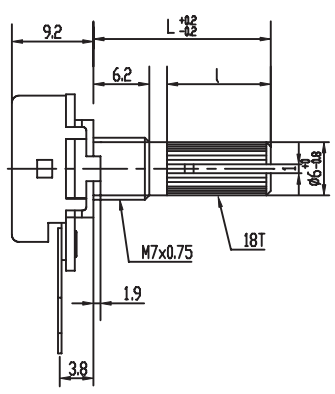
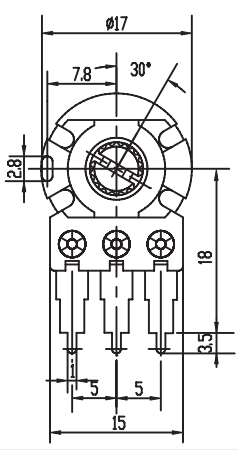
WH148-1A-1



WH148-1A-2

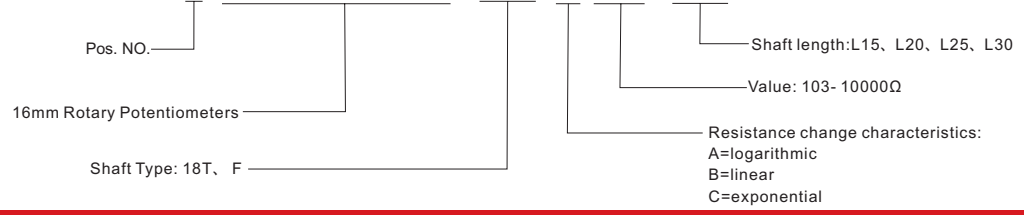


WH148-1A-3



ORDER INFORMATION

Product NO.: KLS4-WH148-1A-1-18T-B103-L15

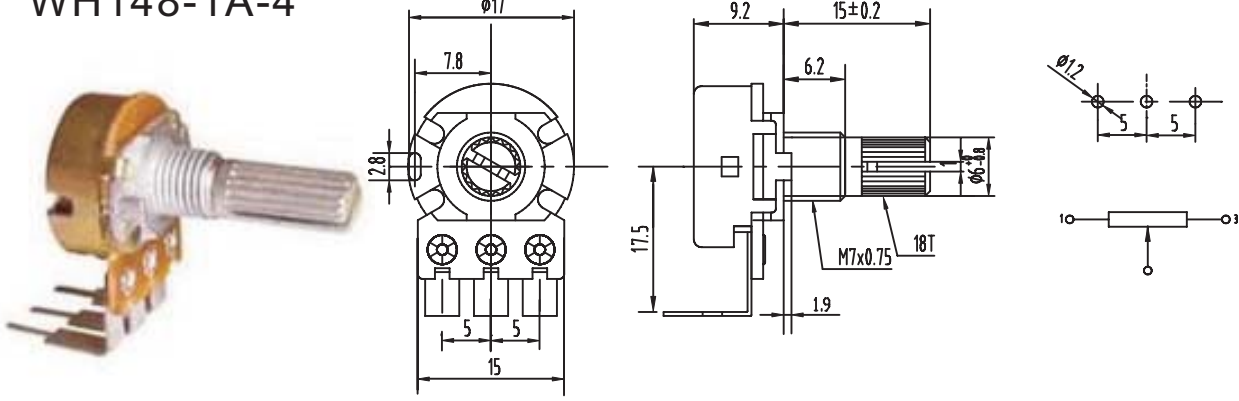


All specification & dimensions are subject to change, please call your nearest KLS sales representative for update information

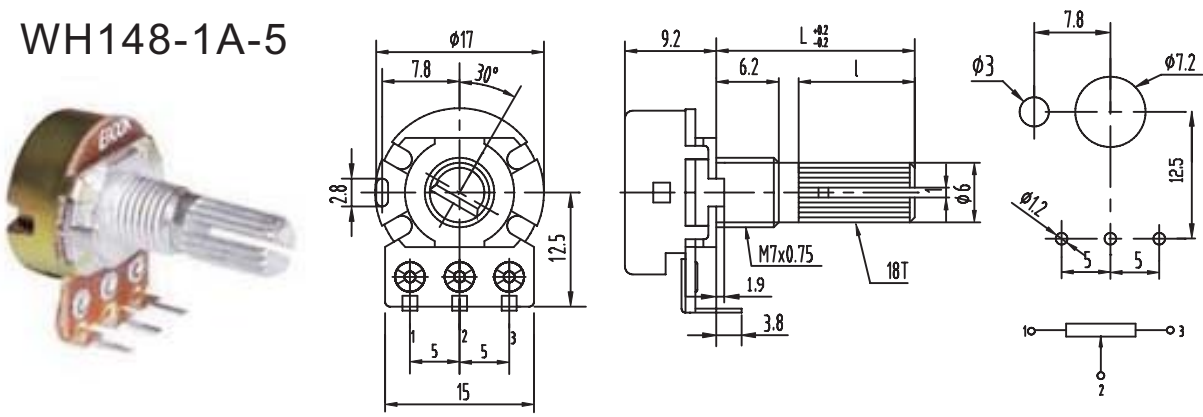


16mm Rotary Potentiometers

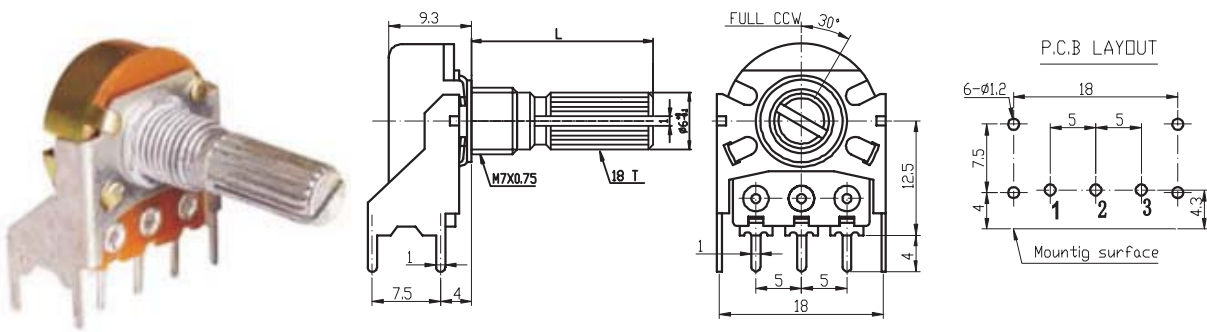
WH148-1A-4



WH148-1A-5

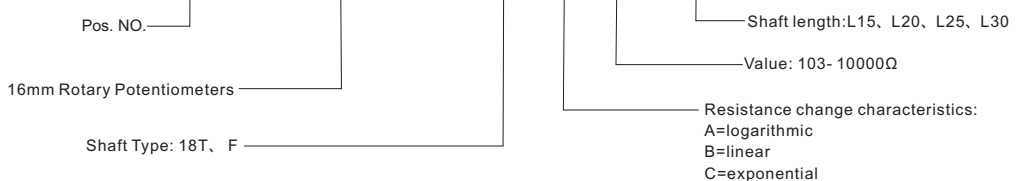


WH148-1A-2S-18T

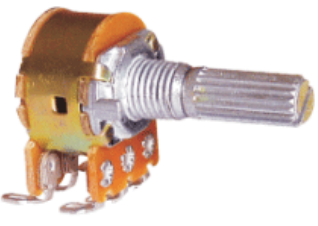
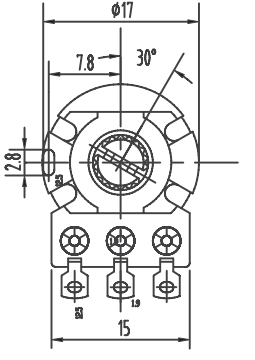
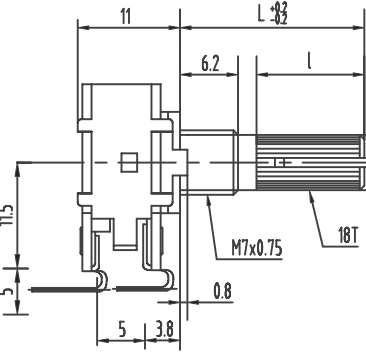
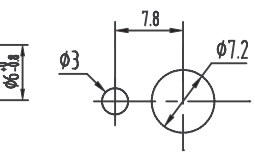

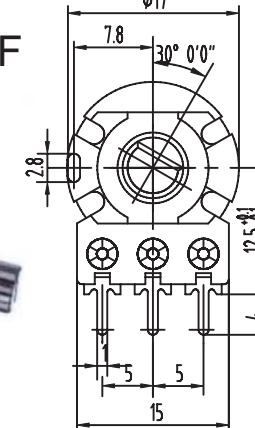
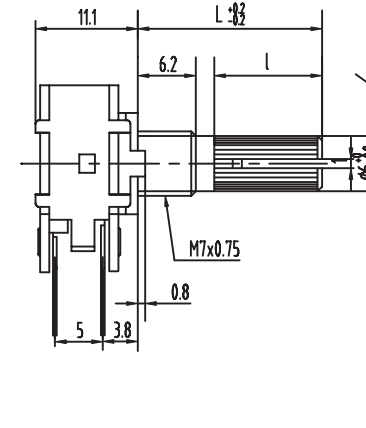
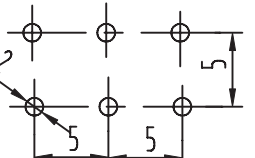

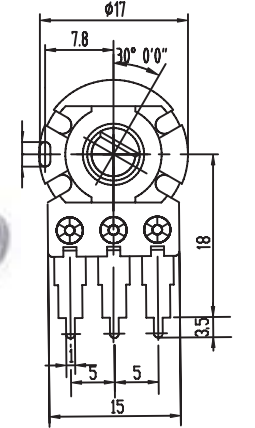
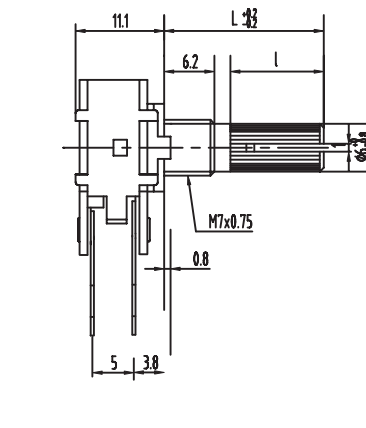
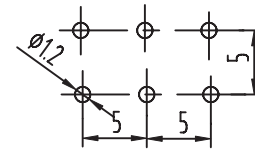


ORDER INFORMATION

Product NO.: KLS4-WH148-1A-1-18T-B103-L15

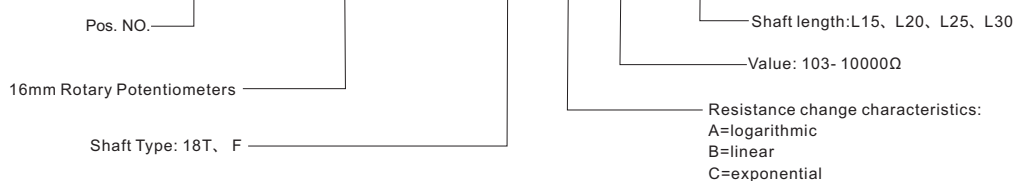


16mm Rotary Potentiometers

<p>WH148-1B-1</p> 			
<p>WH148-1B-φ4F</p> 			
<p>WH148-1B-3</p> 			

ORDER INFORMATION

Product NO.: KLS4-WH148-1A-1-18T-B103-L15

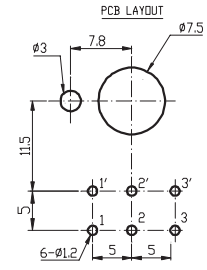
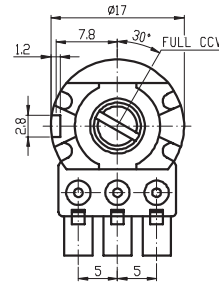
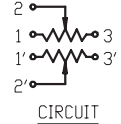
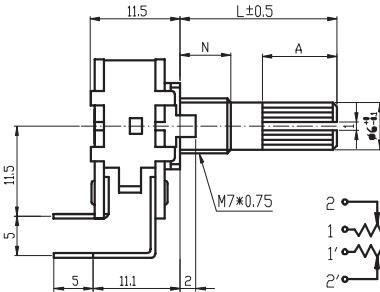
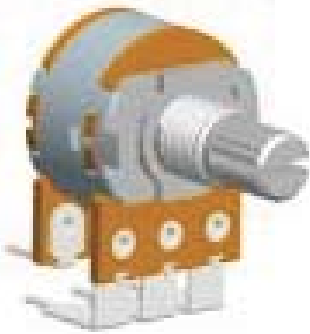


All specification & dimensions are subject to change, please call your nearest KLS sales representative for update information

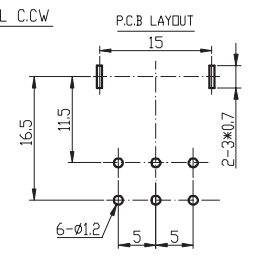
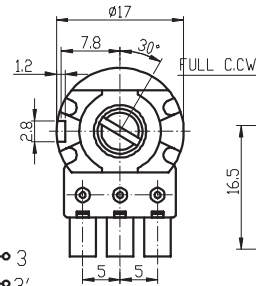
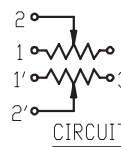
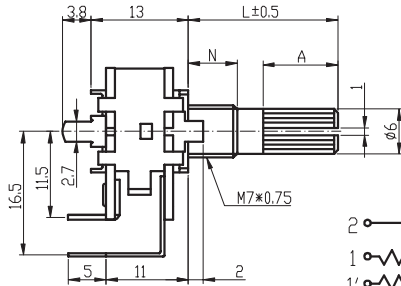
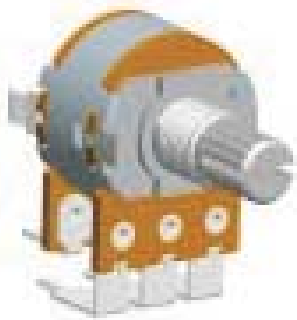


16mm Rotary Potentiometers

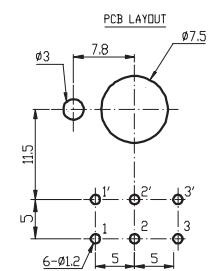
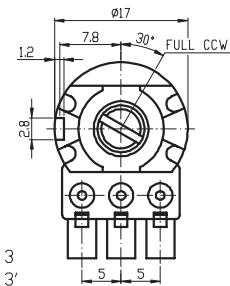
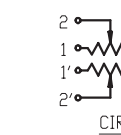
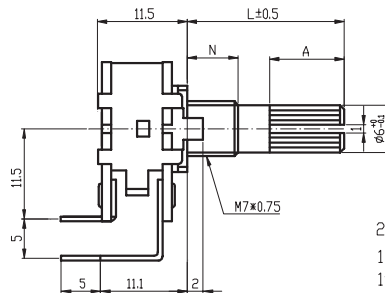
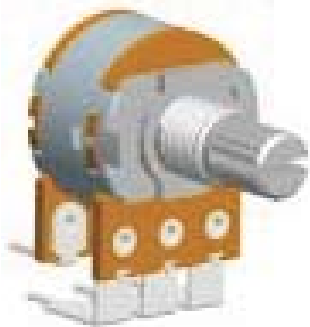
WH148-1B-4



WH148-1B-4J

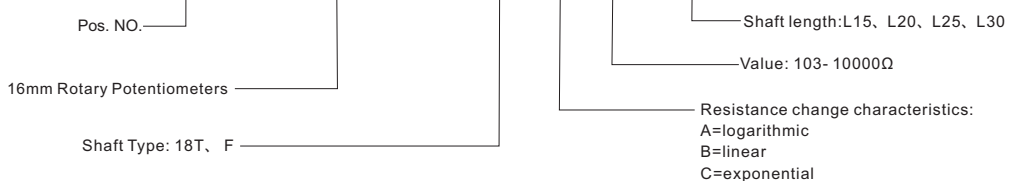


WH148-1B-5



ORDER INFORMATION

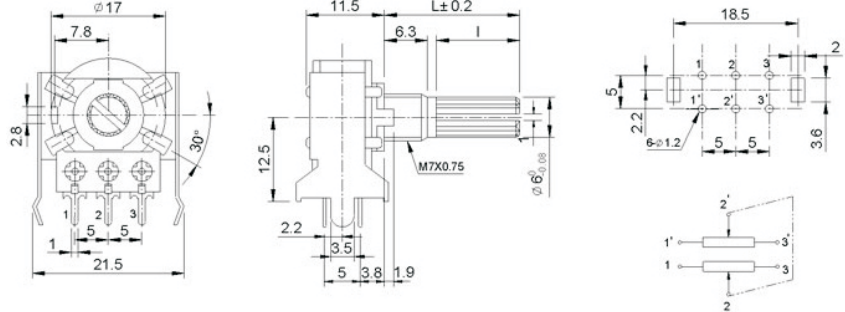
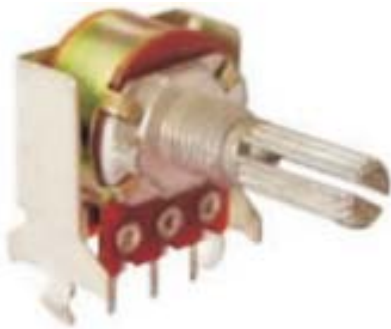
Product NO.: KLS4-WH148-1A-1-18T-B103-L15



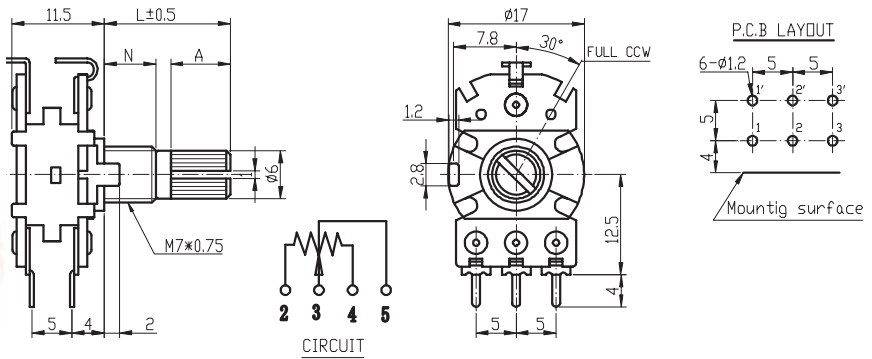
All specification & dimensions are subject to change, please call your nearest KLS sales representative for update information

16mm Rotary Potentiometers

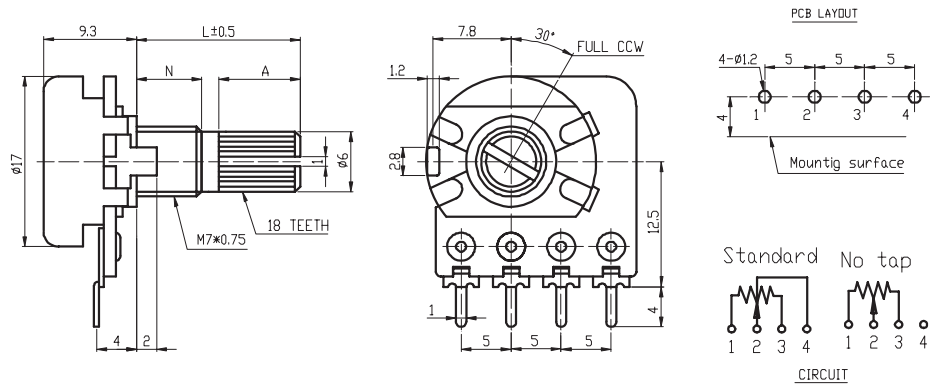
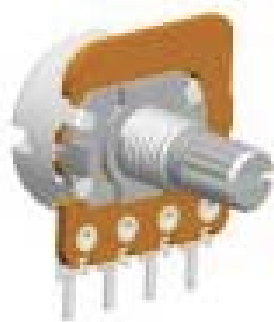
WH148-1B-2J



WH148-2B-2

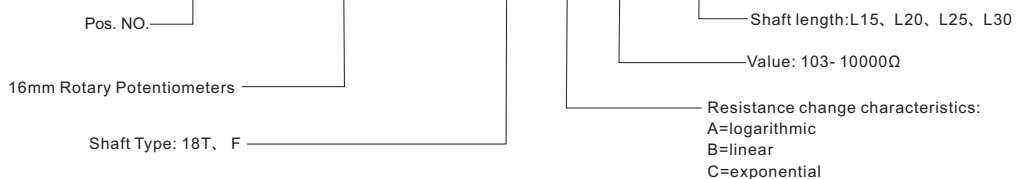


WH148-3A-2



ORDER INFORMATION

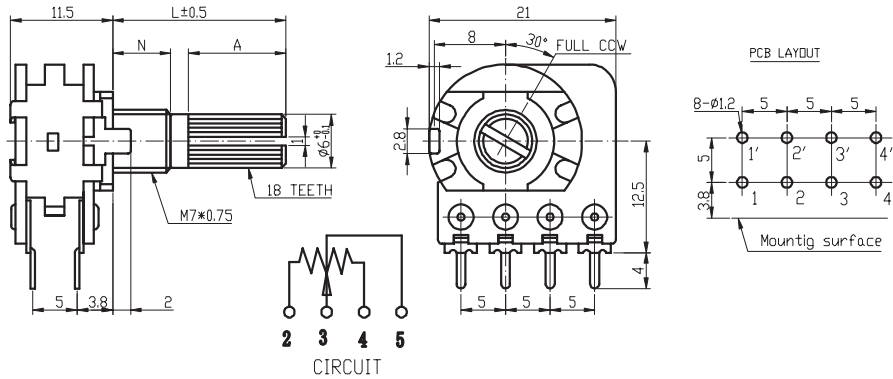
Product NO.: KLS4-WH148-1A-1-18T-B103-L15



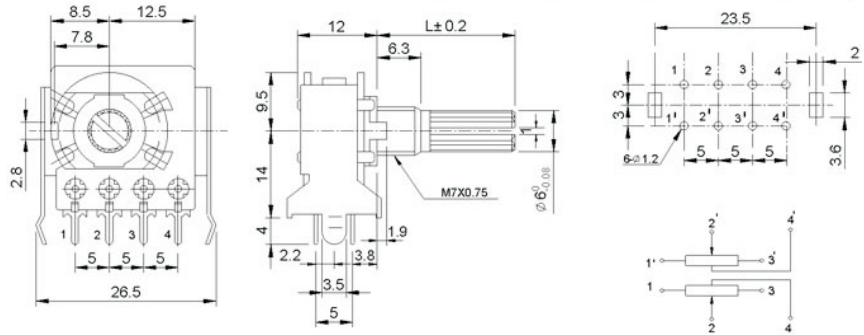


16mm Rotary Potentiometers

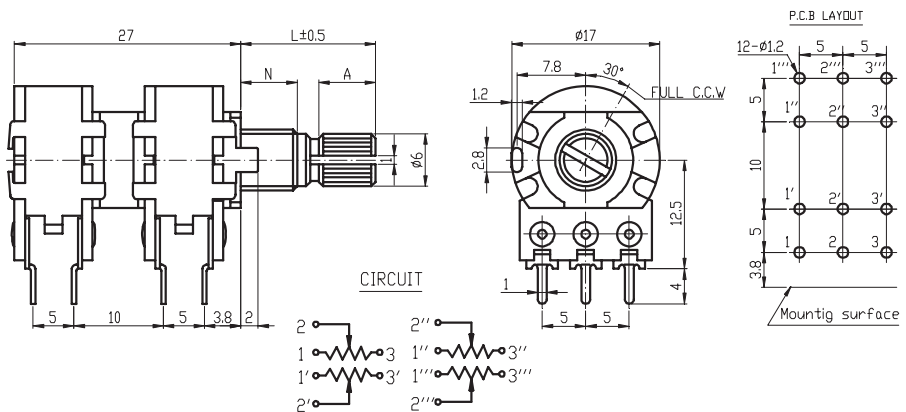
WH148-3B-2



WH148-3B-2J

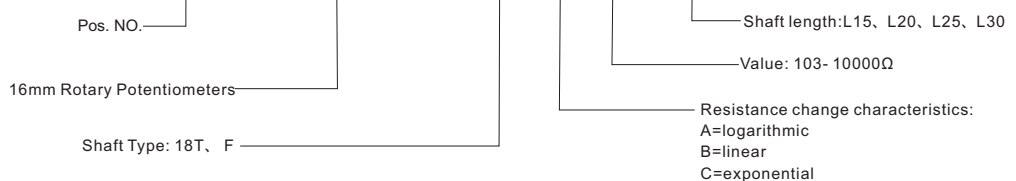


WH148-4B



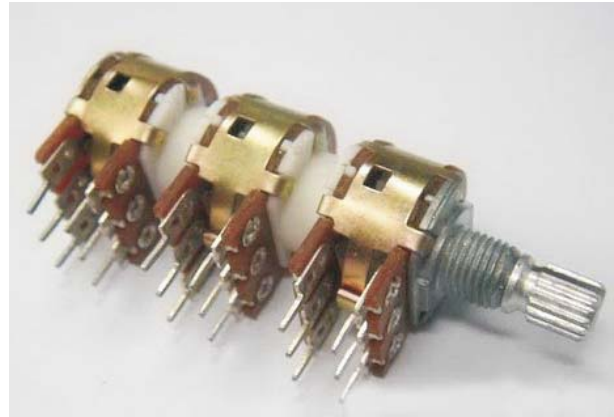
ORDER INFORMATION

Product NO.: KLS4-WH148-1A-1-18T-B103-L15

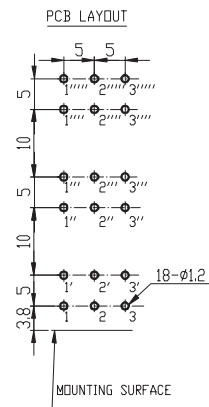
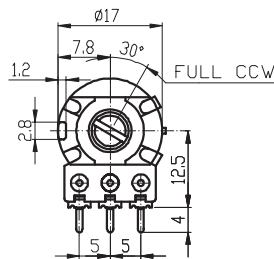
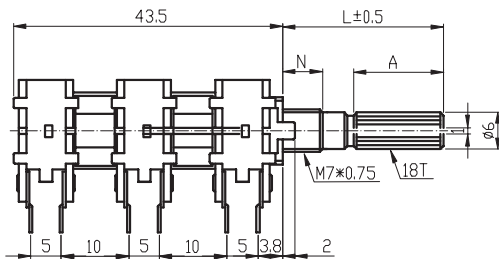


16mm Rotary Potentiometers

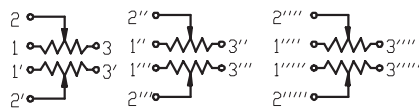
WH148-6B6



VI



CIRCUIT



ORDER INFORMATION

Product NO.: KLS4-WH148-1A-1-18T-B103-L15

