

# TERMINAL BLOCK Connector

## PCB Terminal Blocks

KLS2-129D-5.00 5.00 / 5.08mm Pitch PCB Terminal Block

### Electrical :

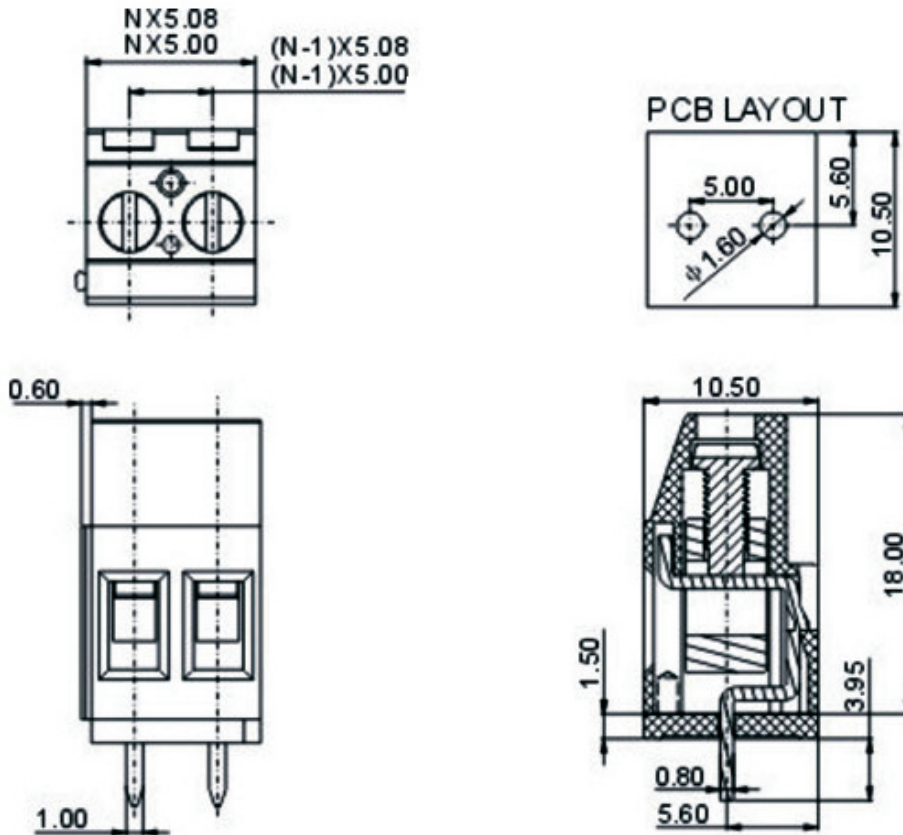
Rated voltage: 300V  
Rated current: 10A  
Contact resistance: 20mΩ  
Insulation resistance: 5000MΩ/1000V  
Withstanding Voltage: AC1500V/1Min  
Wire range: 24-12AWG 2.5mm<sup>2</sup>

### Material:

Screws: M2.5 steel Zinc plated  
Contact: Brass  
Pin header: Brass, Tin plated  
Housing: PA66, UL94V-0

### Mechanical:

Temp. Range: -40°C~+105°C  
MAX Soldering: +250°C for 5 Sec.  
Torque: 0.4Nm (3.6lb.in)  
Strip length: 6-7mm



## ORDER INFORMATION

Product NO.: KLS2-129D-5.00-XXP X X

