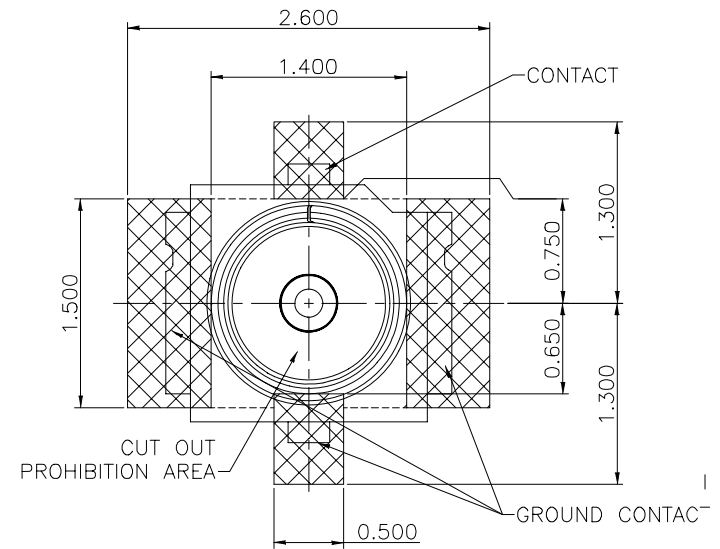


SECTION: A-A
SCALE: 1:1



RECOMMENDED PCB LAYOUT
GENERAL TOLERANCE ± 0.05

NOTE:

1. HOUSING MATERIAL: THERMOPLASTIC, WHITE, UL 94V-0;
CONTACT MATERIAL: COPPER ALLOY, GOLD PLATED ALL OVER;
SHELL MATERIAL: COPPER ALLOY, GOLD PLATED ALL OVER;
2. PERFORMANCE:
 - 2.1. CONTACT RESISTANCE: 20mOHM Max.
 - 2.2. DIELECTRIC WITHSTANDING VOLTAGE: 200V AC FOR 1MINUTE;
 - 2.3. INSULATION RESISTANCE: 500MOHM Min.

GENERAL TOLERANCE	ANGLE TOLERANCE	PROJECTION	⊕	Description:
X. ±0.60	X. ±5°	UNITS	mm	USS RF Connector I-PEX III KLS I-PEX-003
.X ±0.38	.X ±3°	SHEET SIZE	A4	
.XX ±0.25	.XX ±2°		KLS P/N:	

Draw by: Date	2015-09-01
Check by: Date	2015-09-15
SCALE	SHEET OF

KLS ELECTRONIC CO., LTD.