

# TA8776N

## SURROUND PROCESSOR FOR A CTV

TA8776N is a surround processor controlled I<sup>2</sup>C bus. It incorporates following functions on a 30pin dual-in-line shrink-type plastic package.

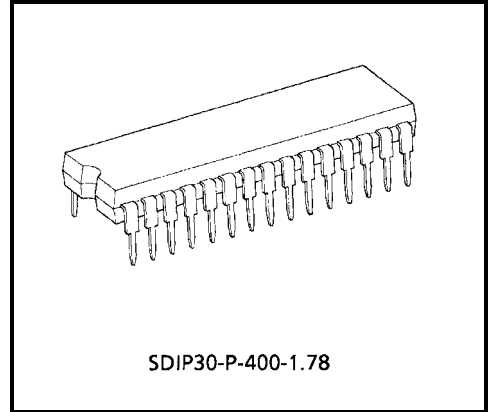
### FEATURES

#### Surround circuit

- Simulated Surround
- Hall Ambience
- Dolby Surround (Input Terminal)
- 3D Center Output (L + R) for a super woofer.
- Surround Output (L - R)

#### Sound processor circuit

- Input Switch
- Volume Adj.
- Balance Adj
- Surround Level Adj
- Bass Adj.
- Treble Adj.

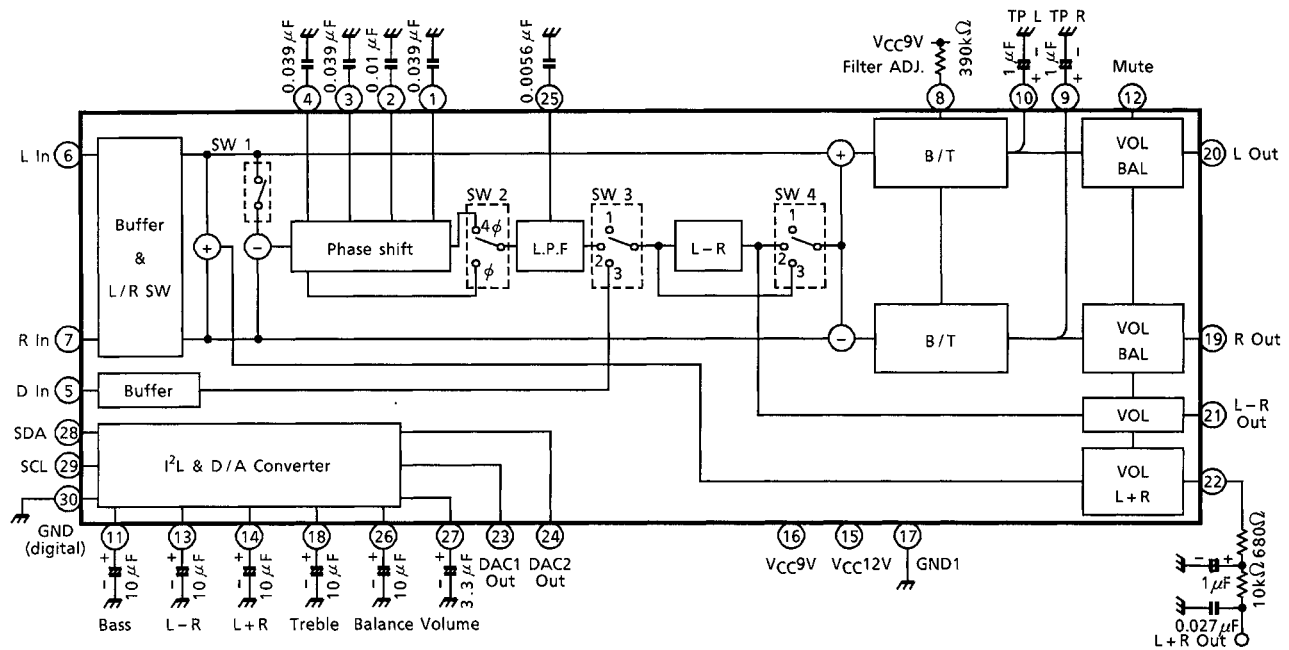


Weight: 1.99g (Typ.)

### I<sup>2</sup>C interface

- Filter Adj. by Bus line
- DAC Output (2ch)

### BLOCK DIAGRAM



000707EBA2

● TOSHIBA is continually working to improve the quality and reliability of its products. Nevertheless, semiconductor devices in general can malfunction or fail due to their inherent electrical sensitivity and vulnerability to physical stress. It is the responsibility of the buyer, when utilizing TOSHIBA products, to comply with the standards of safety in making a safe design for the entire system, and to avoid situations in which a malfunction or failure of such TOSHIBA products could cause loss of human life, bodily injury or damage to property. In developing your designs, please ensure that TOSHIBA products are used within specified operating ranges as set forth in the most recent TOSHIBA products specifications. Also, please keep in mind the precautions and conditions set forth in the "Handling Guide for Semiconductor Devices," or "TOSHIBA Semiconductor Reliability Handbook" etc..

## TERMINAL FUNCTION

PIN No.	NAME	FUNCTION	INTERFACE CIRCUIT
1 2 3 4	$\phi 4$ $\phi 3$ $\phi 2$ $\phi 1$	Terminals for capacitors of the phase shifter blocks. Value of phase shift in each block is $\phi$ [deg.] = $-2 \tan^{-1} (2\pi fCR)$ C is capacitance of external capacitor. R is resistance of internal register (10k $\Omega$ (Typ.)).	
5 6 7	Dolby In L In R In	Input terminals. "L In" is for L-ch signal. "R In" is for R-ch signal. "Dolby In" is for decoded Dolby Signal.	
8	Filter Adj.	Terminal for tone control block. Cross-over frequency is set by sink current of this terminal. If 390k $\Omega$ connect, cross-over frequency is about 1kHz.	
9 10	TP (R) TP (L)	Terminals for capacitors for offset cancel circuits.	
11 18	Bass Filter Treble Filter	Terminals for tone control block. Control current is smoothed by external capacitors.	

000707EBA2

- The TOSHIBA products listed in this document are intended for usage in general electronics applications (computer, personal equipment, office equipment, measuring equipment, industrial robotics, domestic appliances, etc.). These TOSHIBA products are neither intended nor warranted for usage in equipment that requires extraordinarily high quality and/or reliability or a malfunction or failure of which may cause loss of human life or bodily injury ("Unintended Usage"). Unintended Usage include atomic energy control instruments, airplane or spaceship instruments, transportation instruments, traffic signal instruments, combustion control instruments, medical instruments, all types of safety devices, etc.. Unintended Usage of TOSHIBA products listed in this document shall be made at the customer's own risk.
- The products described in this document are subject to the foreign exchange and foreign trade laws.
- The information contained herein is presented only as a guide for the applications of our products. No responsibility is assumed by TOSHIBA CORPORATION for any infringements of intellectual property or other rights of the third parties which may result from its use. No license is granted by implication or otherwise under any intellectual property or other rights of TOSHIBA CORPORATION or others.
- The information contained herein is subject to change without notice.

PIN No.	NAME	FUNCTION	INTERFACE CIRCUIT
12	Mute	Input terminal for muting. Applied voltage more than 2V to this terminal, Muting is active.	
13 14	L - R Filter L + R Filter	Terminals for level control blocks. Control current is smoothed by external capacitors.	
15	V <sub>CC</sub> 12V	V <sub>CC</sub> (12V)	—
16	V <sub>CC</sub> 9V	V <sub>CC</sub> (9V)	—
17	GND (Analogue)	Gnd for Analogue	—
19 20 21 22	R Out. L Out. L - R Out. L + R Out.	Output terminals.	
23 24	DAC 1 DAC 2	Open collector switches controlled by I <sup>2</sup> C bus.	
25	Sorround L.P.F.	Terminal for sorround L.P.F. block. Cut-off frequency of the sorround L.P.F. is set by external capacitor. $f_c = \frac{1}{2\pi RC} \text{ Hz}$ R is registance of internal register (10kΩ (Typ.)). C is capacitance of external capacitor.	

PIN No.	NAME	FUNCTION	INTERFACE CIRCUIT
26	Balance Filter	Terminal for balance control block. Control current is smoothed by external capacitor.	
27	Volume Filter	Terminal for volume control block. Control current is smoothed by external capacitor.	
28	SDA	Terminal for SDA.	
29	SCL	Terminal for SCL.	
30	GND (Digital)	Gnd for Digital.	—

## I<sup>2</sup>C BUS CONTROL

- Main Address 80 (h) : (h) = Hexa Decimal
- Sub Address

Function-sub address reference table

FUNCTION	SUB ADDRESS	POWER ON DEFAULT	EFFECTIVE DATA RANGE
BASS	01 (h)	32 (h) (Center)	0~64 (h)
Treble	02 (h)	32 (h) (Center)	
Volume	03 (h)	0 (h) (Minimum)	
L - R	04 (h)	0 (h) (Minimum)	
L + R	05 (h)	0 (h) (Minimum)	
Balance	06 (h)	32 (h) (Center)	
Surround / DAC Input Mode	07 (h)	F0 (h) (Normal / DAC1, 2 L / Surr. Off)	—
Mute	08 (h)	3 (h) (L - R Mute, L + R Mute)	—
Filter Adjustment	09 (h)	0 (h) (Minimum)	0~0F (h)

Mode explanation (Input mode : normal)

MODE	OUTPUT			
	Lout	Rout	(L-R) out	(L+R) out
OFF	L	R	—	L + R
MONO B1	$M - k (M) 4\phi$	$M + k (M) 4\phi$	$-k (M) 4\phi$	M
STEREO A1	$L+k (L - R) \phi$	$R - k (L - R) \phi$	$k (L - R) \phi$	L + R
STEREO B1	$L+k (L - R) 4\phi$	$R - k (L - R) 4\phi$	$k (L - R) 4\phi$	L + R
DOLBY	L	R	$k \cdot D$	L + R
MONO B2	$M - (M) 4\phi$	$M + (M) 4\phi$	$-k (M) 4\phi$	M
STEREO A2	$L + (L-R) \phi$	$R - (L - R) \phi$	$k (L - R) \phi$	L + R
STEREO B2	$L + (L-R) 4\phi$	$R - (L - R) 4\phi$	$k (L - R) 4\phi$	L + R
MONO B3	M	M	$-k (M) 4\phi$	M
STEREO A3	L	R	$k (L - R) \phi$	L + R
STEREO B3	L	R	$k (L - R) 4\phi$	L + R

- M : Monoural Input Signal  
 D : Dolby Surround Input Signal  
 k : Co-efficient  
 ( )  $\phi$  : Phase Shifted  $\phi$   
 ( )  $4\phi$  : Phase Shifted  $4\phi$

Data input mode reference table

[Sub Address : 07 (h)]

DATA		MODE	OUTPUT	
MSB	LSB		Lout	Rout
x x	1 1 x x x x	Normal	L	R
x x	1 0 x x x x	L	L	L
x x	0 1 x x x x	R	R	R
x x	0 0 x x x x	Reverse	R	L

x : Don't care

Data surround mode reference table

[Sub Address : 07 (h)]

DATA		MODE	INTERNAL SWITCH			
MSB	LSB		SW 1	SW 2	SW 3	SW 4
x x x x	0 0 0 0	OFF	ON	φ	1	1
x x x x	0 0 0 1	MONO B1	OFF	4φ	2	2
x x x x	0 0 1 0	STEREO A1	ON	φ	2	2
x x x x	0 0 1 1	STEREO B1	ON	4φ	2	2
x x x x	0 1 0 0	DOLBY	ON	φ	3	1
x x x x	0 1 0 1	MONO B2	OFF	4φ	2	3
x x x x	0 1 1 0	STEREO A2	ON	φ	2	3
x x x x	0 1 1 1	STEREO B2	ON	4φ	2	3
x x x x	1 0 0 0	(OFF)	ON	φ	1	1
x x x x	1 0 0 1	MONO B3	OFF	4φ	2	1
x x x x	1 0 1 0	STEREO A3	ON	φ	2	1
x x x x	1 0 1 1	STEREO B3	ON	4φ	2	1
x x x x	1 1 0 0	(OFF)	ON	φ	1	1
x x x x	1 1 0 1	(OFF)	ON	φ	1	1
x x x x	1 1 1 0	(OFF)	ON	φ	1	1
x x x x	1 1 1 1	(OFF)	ON	φ	1	1

x : Don't care

Data DAC output reference table

[Sub Address : 07 (h)]

DATA		OUTPUT*	
MSB	LSB	DAC 1	DAC 2
0 0	x x x x x x	H	H
0 1	x x x x x x	H	L
1 0	x x x x x x	L	H
1 1	x x x x x x	L	L

x : Don't care

\* : Open Collector Output

Data mute mode reference table

[Sub Address : 08 (h)]

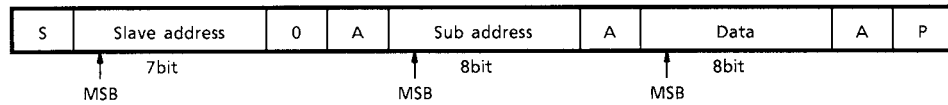
DATA		Mute 1	Mute 2
MSB	LSB	(L, R)	(L - R, L + R)
x x x x x x	0 0	OFF	OFF
x x x x x x	0 1	ON	ON
x x x x x x	1 0	OFF	ON
x x x x x x	1 1	ON	ON

x : Don't care

## I<sup>2</sup>C BUS CONTROLLED FORMAT SUMMARY

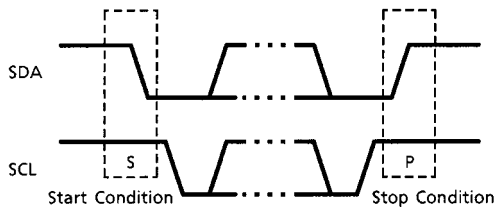
Bus controlled format of TA8776N is based on I<sup>2</sup>C Bus Control format of Philips.

Data transfer format

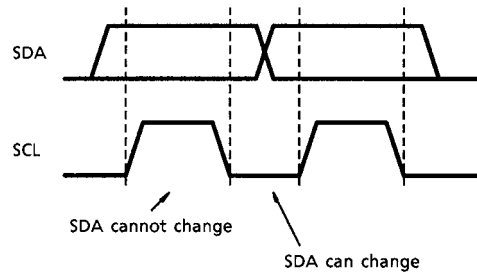


S : Start Condition  
 P : Stop Condition  
 A : Acknowledge

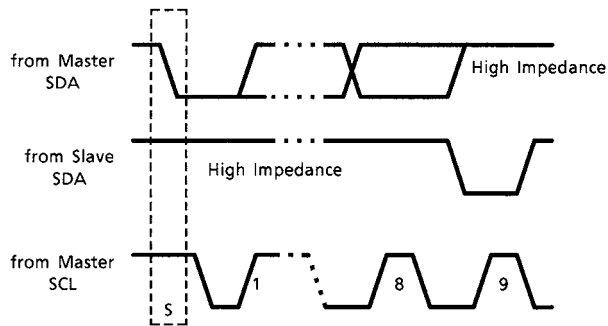
### (1) Start and stop condition



### (2) Bit transfer



### (3) Acknowledge



### (4) Slave address

A6	A5	A4	A3	A2	A1	A0	R/ $\bar{W}$
1	0	0	0	0	0	0	0

Purchase of TOSHIBA I<sup>2</sup>C components conveys a license under the Philips I<sup>2</sup>C Patent Rights to use these components in an I<sup>2</sup>C system, provided that the system conforms to the I<sup>2</sup>C Standard Specification as defined by Philips.

## MAXIMUM RATINGS (Ta = 25°C)

CHARACTERISTIC	SYMBOL	RATING	UNIT
Supply Voltage	V <sub>CC</sub>	15	V
Power Dissipation	P <sub>Dmax</sub>	1400 (Note 1)	mW
Operating Temperature	T <sub>opr</sub>	-20~65	°C
Storage Temperature	T <sub>stg</sub>	-55~150	°C

Note 1: When using the device at above Ta = 25°C, decrease the power dissipation by 12.5mW for each increase of 1°C.

Note 2: As this IC is weak in a surge voltage, handle it with care from being damage.

## RECOMMENDED SUPPLY VOLTAGE

PIN No.	PIN NAME	MIN	TYP.	MAX	UNIT
15	V <sub>CC</sub> 12V	10.8	12.0	13.2	V
16	V <sub>CC</sub> 9V	8.1	9.0	9.9	V

## ELECTRICAL CHARACTERISTICS

DC voltage characteristics (V<sub>CCPin15</sub> = 12V, V<sub>CCPin16</sub> = 9V, Ta = 25°C)

PIN No.	PIN NAME	SYMBOL	MIN	TYP.	MAX	UNIT
1	φ4	V1	3.9	4.4	4.9	V
2	φ3	V2	3.9	4.4	4.9	V
3	φ2	V3	3.9	4.4	4.9	V
4	φ1	V4	3.9	4.4	4.9	V
5	DOLBY In	V5	3.9	4.4	4.9	V
6	L In	V6	3.9	4.4	4.9	V
7	R In	V7	3.9	4.4	4.9	V
8	Filter Adj.	V8	1.4	1.9	2.4	V
9	TP R	V9	3.7	4.2	4.2	V
10	TP L	V10	3.7	4.2	4.2	V
11	BASS Filter	V11	3.9	4.4	4.9	V
12	Mute	V12	—	0.0	0.5	V
13	L - R Filter	V13	3.6	4.1	4.6	V
14	L + R Filter	V14	3.6	4.1	4.6	V
18	Treble Filter	V18	3.9	4.4	4.9	V
19	R Out	V19	4.5	5.0	5.5	V
20	L Out	V20	4.5	5.0	5.5	V
21	L - R Out	V21	4.5	5.0	5.5	V
22	L + R Out	V22	4.5	5.0	5.5	V
23	DAC1 out (ON)	V23	—	0.1	0.4	V
24	DAC2 out (ON)	V24	—	0.1	0.4	V
25	Surround L.P.F.	V25	3.7	4.2	4.7	V
26	Balance Filter	V26	5.5	6.0	6.5	V
27	Volume Filter	V27	3.0	3.5	4.0	V



## DC CURRENT CHARACTERISTICS ( $V_{CCpin15} = 12V$ , $V_{CCpin16} = 9V$ , $T_a = 25^\circ C$ )

PIN No.	PIN NAME	SYMBOL	MIN	TYP.	MAX	UNIT
15	$V_{CC} 12V$	I15	8.0	17.0	25.0	mA
16	$V_{CC} 9V$	I16	22.0	45.0	68.0	mA

## AC CHARACTERISTICS

(Unless otherwise specified  $V_{CCpin15} = 12V$ ,  $V_{CCpin16} = 9V$ ,  $T_a = 25^\circ C$ )

CHARACTERISTIC	SYMBOL	TEST CIR-CUIT	TEST CONDITION	MIN	TYP.	MAX	UNIT
Gain	L-ch	—	(Note 1)	-2.0	0.0	2.0	dB
	R-ch						
	L - R						
	Dolby						
	L + R						
Total Harmonic Distortion THD	L-ch	—	(Note 2)	—	0.25	1.1	%
	R-ch						
	L - R						
	Dolby						
	L + R						
S / N	L-ch	—	(Note 3)	55	60	—	dB
	R-ch						
	L - R						
	Dolby						
	L + R						
Surround Sound Phase		—	(Note 4)	-345	-300	-245	°
Frequency Characteristics (100Hz)	L-ch	—	(Note 5)	-2.0	0	2.0	dB
	R-ch						
	L - R						
	Dolby						
Frequency Characteristics (10kHz)	L-ch	—	(Note 6)	-2.0	0	2.0	dB
	R-ch			-13.0	-11.0	-9.0	
	L - R			-2.0	0	2.0	
	Dolby			-7.0	-6.0	-5.0	
	L + R						
Balance (Center)		—	(Note 7)	-2.0	0	2.0	dB
Balance (Max.)	L-ch	—	(Note 8)	1.0	1.9	3.0	dB
	R-ch						
Balance (Min.)	L-ch	—	(Note 9)	—	-60	-50	dB
	R-ch						
Filter (Min.)	F Max	—	(Note 10)	1.3	1.6	1.9	kHz
Filter (Min.)	F Min	—	(Note 11)	0.4	0.6	0.8	kHz

CHARACTERISTIC	SYMBOL	TEST CIR-CUIT	TEST CONDITION	MIN	TYP.	MAX	UNIT
Treble (Max.)	L-ch	—	(Note 12)	5.0	8.0	10.0	dB
	R-ch						
Treble (Min.)	L-ch	—	(Note 13)	-10.0	-8.0	-5.0	dB
	R-ch						
BASS (Max.)	L-ch	—	(Note 14)	5.0	8.0	10.0	dB
	R-ch						
BASS (Min.)	L-ch	—	(Note 15)	-10.0	-8.0	-5.0	dB
	R-ch						
Mute On Voltage		—	(Note 16)	1.0	1.4	1.8	V
Crosstalk	L-ch → R-ch	—	(Note 17)	50	—	—	dB
	R-ch → L-ch						
	L-ch, R-ch → Dolby			40	—	—	
	Dolby → L-ch						
	Dolby → R-ch						
Dynamic Range (1)	L-ch	—	(Note 18)	5.6	—	—	V <sub>p-p</sub>
	R-ch						
Dynamic Range (2)	L-ch	—	(Note 19)	4.0	—	—	V <sub>p-p</sub>
	R-ch						
Dynamic Range (3)	L-ch	—	(Note 20)	1.6	—	—	V <sub>p-p</sub>
	R-ch						
Dynamic Range (4)	L - R	—	(Note 21)	5.6	—	—	V <sub>p-p</sub>
	L + R			5.0	—	—	
	Dolby			5.6	—	—	
Surround Switch Offset		—	(Note 22)	—	—	200	mV
Mute DC Offset	L-ch	—	(Note 23)	—	—	600	mV
	R-ch						
	L - R						
	L + R						

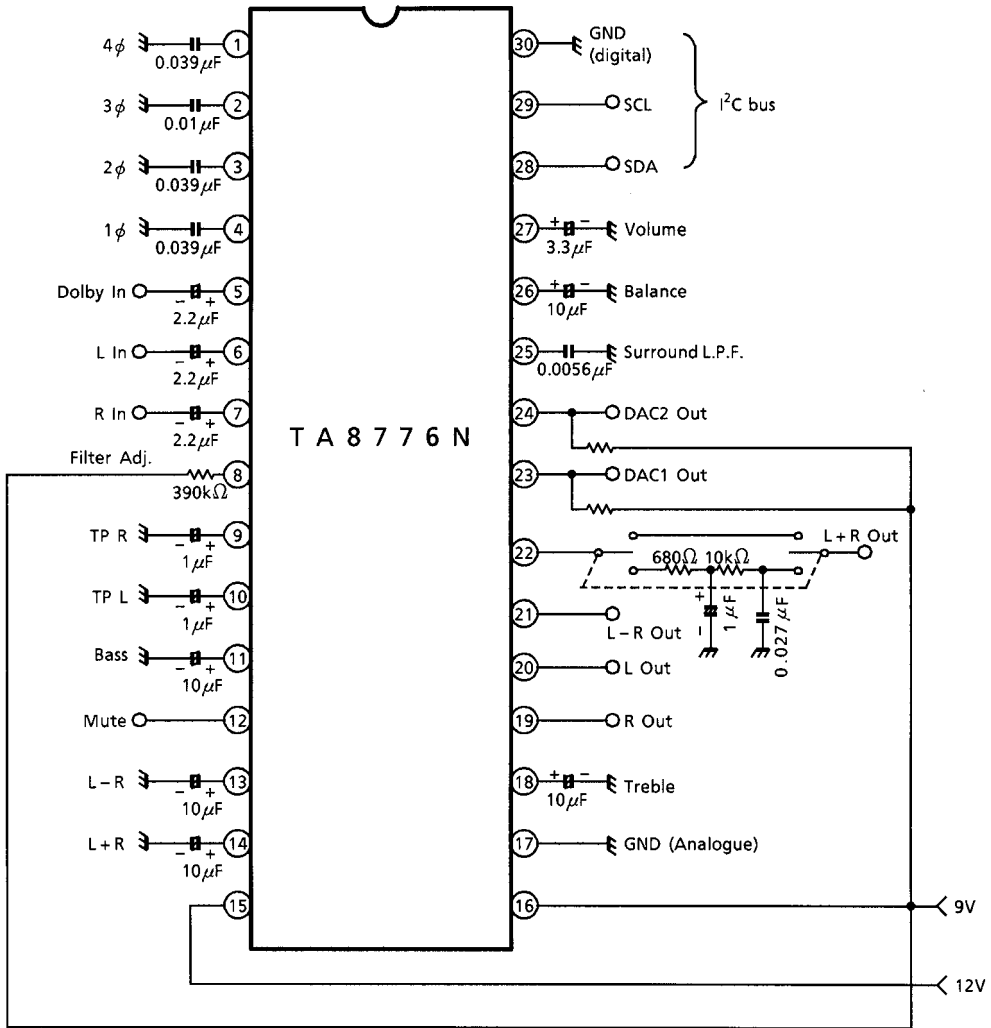
## TEST CONDITION

NOTE	CHARACTERISTICS	CONDITION									INPUT SIGNAL	MEASUREMENT METHOD
		Bass	Tre	Vol	Lev 1	Lev 2	Bal	Mode	Fil			
		01h	02h	03h	04h	05h	06h	07h	09h			
1	Gain L-ch R-ch L - R Dolby L + R			Max	Max	Max	Cen	Off	Min	1kHz, 500mV <sub>rms</sub>	20log vo / vi	
		Cen	Cen					Hall				
								Dolby				
								—				
2	THD L-ch R-ch L - R Dolby L + R			Max	Max	Max	Cen	Off	Min	1kHz, 500mV <sub>rms</sub>	Measure THD.	
		Cen	Cen					Hall				
								Dolby				
								—		60Hz, 500mV <sub>rms</sub>		
3	S / N L-ch R-ch L - R Dolby L + R			Max	Max	Max	Cen	Off	Min	1kHz, 500mV <sub>rms</sub>	Ref. level : vo with no signal input	
		Cen	Cen					Hall				
								Dolby				
								—		60Hz, 500mV <sub>rms</sub>		
4	Surround Phase	Cen	Cen	Max	Max	Max	Cen	Hall	Min	400Hz, 500mV <sub>rms</sub>	vi-L - R	
5	freq.Response [100Hz] L-ch R-ch L - R Dolby L + R			Max	Max	Max	Cen	Off	Min	1kHz / 100Hz, 500mV <sub>rms</sub>	Ref : vi (1kHz) Pin 25 : OPEN	
		Cen	Cen					Hall				
								Dolby				
								—				
6	freq.Response [10Hz] L-ch R-ch L - R Dolby L + R			Max	Max	Max	Cen	Off	Min	1kHz / 10Hz, 500mV <sub>rms</sub>	Ref. : vo (1kHz) Pin 25 :5600pF to GND	
		Cen	Cen					Hall				
								Dolby				
								—				
7	Balance Center	Cen	Cen	Max	Max	Max	Cen	Off	Min	1kHz, 500mV <sub>rms</sub>	20log $\frac{V_{out}(L - ch)}{V_{out}(R - ch)}$	
8	Balance [Max] L-ch R-ch			Max	Max	Max		Min	Off	Min	1kHz, 500mV <sub>rms</sub>	Ref. : Bal Center
		Cen	Cen					Max				
9	Balance [Min] L-ch R-ch			Max	Max	Max		Max	Off	Min	1kHz, 500mV <sub>rms</sub>	Ref. : Bal Center
		Cen	Cen					Min				
10	Filter [Min]	Min	Min	Max	Max	Max	Cen	Off	Max	0.3~2kHz, 500mV <sub>rms</sub>	Freq. vo becomes Max	
11	Filter [Max]	Min	Min	Max	Max	Max	Cen	Off	Min	0.3~2kHz, 500mV <sub>rms</sub>	Freq. vo becomes Max	

NOTE	CHARACTERISTICS	CONDITION									INPUT SIGNAL	MEASUREMENT METHOD
		Bass	Tre	Vol	Lev 1	Lev 2	Bal	Mode	File			
		01h	02h	03h	04h	05h	06h	07h	09h			
12	Treble [Min] L-ch R-ch	Cen	Max	Max	Max	Max	Cen	Off	Min	1kHz / 10kHz, 500mV <sub>rms</sub>	Ref : vo (1kHz) Treble: Center	
13	Treble [Max] L-ch R-ch	Cen	Min	Max	Max	Max	Cen	Off	Min	1kHz / 10kHz, 500mV <sub>rms</sub>	Ref : vo (1kHz) Treble: Center	
14	Bass[Max] L-ch R-ch	Max	Cen	Max	Max	Max	Cen	Off	Min	1kHz / 100kHz, 500mV <sub>rms</sub>	Ref : vo (1kHz) Bass : Center	
15	Bass[Min] L-ch R-ch	Min	Cen	Max	Max	Max	Cen	Off	Min	1kHz / 100kHz, 500mV <sub>rms</sub>	Ref : vo (1kHz) Bass : Center	
16	Mute On Voltage	Cen	Cen	Max	Max	Max	Cen	Off	Min	1kHz / 500mV <sub>rms</sub>		
17	Crosstalk L-ch → R-ch R-ch → L-ch L, R-ch → Dolby Dolby → L-ch Dolby → R-ch	Min	Cen	Max	Max	Max	Cen	Off	Min	1kHz / 500mV <sub>rms</sub>	Ref : L-ch input level Mes : R-ch output level	
											Ref : R-ch input level Mes : L-ch output level	
											Ref : L-ch or R-ch input level Mes : L-R output level	
											Ref : D input level Mes : L-ch output level	
											Ref : D input level Mes : R-ch output level	
											Ref : D input level Mes : R-ch output level	
18	D Range (1) L-ch R-ch	Cen	Cen	Max	Max	Max	Cen	Off	Adj.	1kHz	Measure input level when THD = 3%.	
19	D Range (2) L-ch R-ch	Max	Max	Max	Max	Max	Cen	Off	Adj.	1kHz	Measure input level when THD = 3%.	
20	D Range (3) L-ch R-ch	Max	Max	Max	Max	Max	Cen	Simulate	Adj.	1kHz	Measure input level when THD = 3%.	
21	D Range (4) L - R L + R Dolby	Cen	Cen	Max	Max	Max	Cen	Hall	Adj.	1kHz	Measure input level when THD = 3%.	
								—				
								Dolby				

NOTE	CHARACTERISTICS	CONDITION									INPUT SIGNAL	MEASUREMENT METHOD
		Bass	Tre	Vol	Lev 1	Lev 2	Bal	Mode	File			
		01h	02h	03h	04h	05h	06h	07h	09h			
22	Surround SW Offset	Cen	Cen	Max	Max	Max	Cen	—	Min	AC GND	Measure offset level between some surround mode and other surround mode	
23	Mute DC	L-ch						Off	Min	AC GND	Measure offset level between muting mode and normal mode	
		R-ch										
	Offset	L - R	Cen	Cen	Max	Max	Max	Cen				Hall
		L + R										—

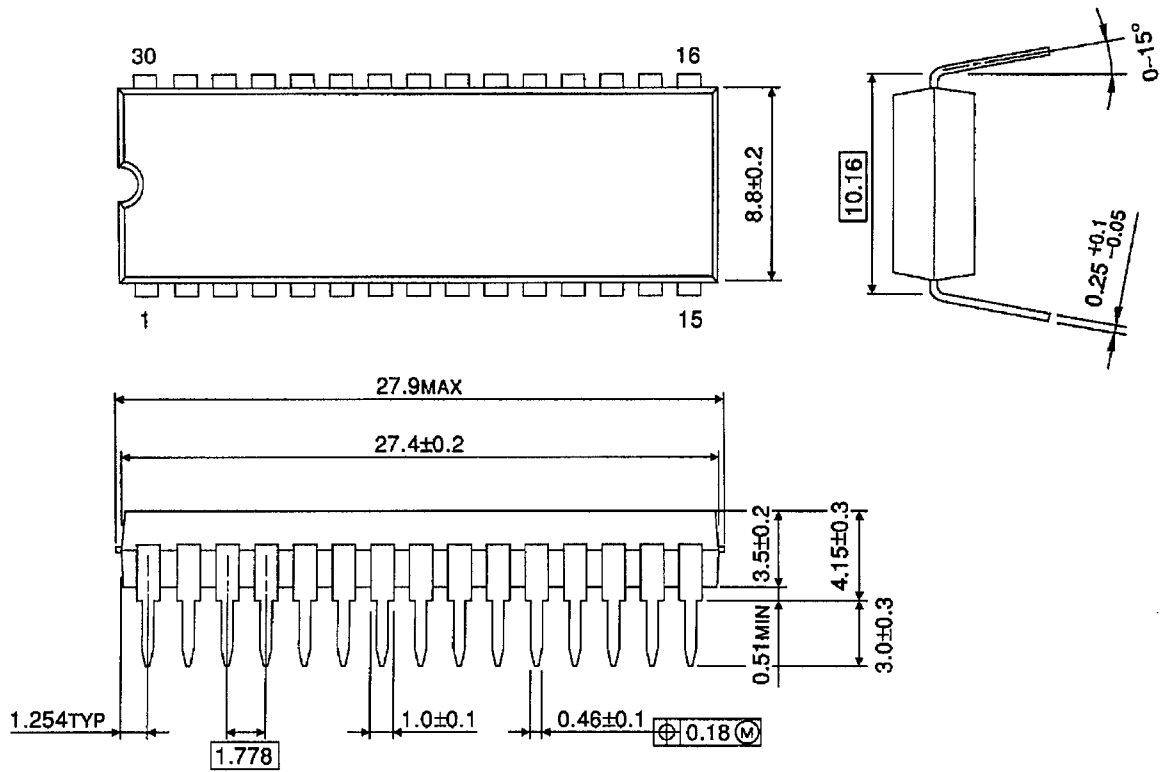
**APPLICATION EXAMPLE CIRCUIT**



## PACKAGE DIMENSIONS

SDIP30-P-400-1.78

Unit : mm



Weight: 1.99g (Typ.)

This datasheet has been download from:

[www.datasheetcatalog.com](http://www.datasheetcatalog.com)

Datasheets for electronics components.