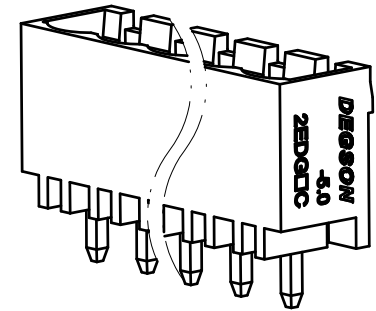
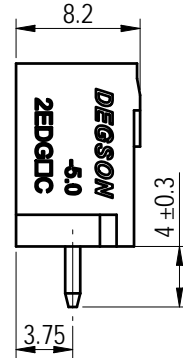
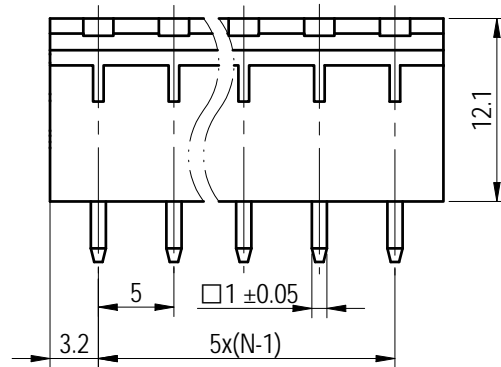
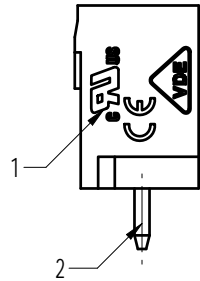
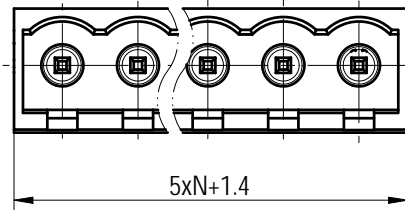
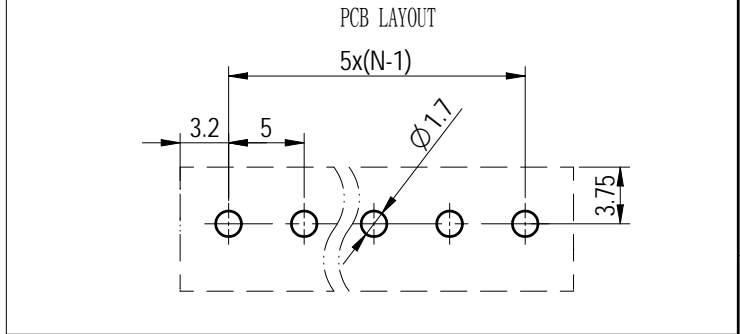


Transfer or duplication of this document as well as the utilization or communication of its content are prohibited unless expressly permitted in writing by DEGSON. All rights reserved for patent, utility model or design registrations. 除特别声明外，未经许可，不得复制或传播。 除特别声明外，未经许可，不得复制或传播。 除特别声明外，未经许可，不得复制或传播。

未注公差/General tolerances (mm)													0.1/10	
0 ~ 3	>3 ~ 6	>6 ~ 10	>10 ~ 18	>18 ~ 30	>30 ~ 50	>50 ~ 80	>80 ~ 120	>120 ~ 180	>180 ~ 250	>250 ~ 315	>315 ~ 400	>400 ~ 500		>500
±0.12	±0.18	±0.22	±0.26	±0.31	±0.37	±0.57	±0.80	±0.93	±1.05	±1.15	±1.60	±2.20	±2.50	±2'



Note:  
The A&Z(H) in the name means: A(H) and Z(H).

ITEM	NAME OF PART	MATERIAL	NOTES
2	Pin header	Copper	Sn Plated
1	Housing	PA66	UL94V-0

UL 标准/UL Standard:	B	C	D
额定电压/电流/Rated Voltage(V)/Current(A)	300V/15	/	300/10
IEC 标准/IEC Standard:			
过压类别/Overvoltage Category/污染等级/Pollution Degree	III/3	III/2	II/2
额定电压/电流/Rated Voltage(V)/Current(A)	/	320/20	/
额定脉冲电压(KV)/Rate Impulse Voltage(KV)	/	4	/
间距/Pitch(mm)/线数范围/Poles	5.0/N=02~24P		
使用温度范围/Operating temperature(°C)	-40~+105		
符合RoHS环保要求/Conform to RoHS	Yes		



APPD: 兰春华	2022.07.14
CHKD: 龚耀志	2022.07.13
DRFT: 周锡锦	2022.07.13

MATERIAL:	SURFACE/COLOR:		
MAT NO./REV: - / 00	MAT STATUS: 批量		
NAME 2EDGVC-5.0-XXP-1Y-00A&Z(H)			
DRAWING NO. 200083663	TYPE CUSTOMER DRAWING	DRAWING STATUS 已发布	SCALE 2:1
		SHEET 1/1	

REV	ECN	DESCRIPTION	DRFT	DATE
00			周锡锦	2022.07.13