



## Features

- 1/4" Round / Single-Turn / Cermet Industrial / Sealed
- 5 standard terminal styles
- Tape and reel packaging available
- Listed on the QPL for style RJ50 per MIL-PRF-22097 and RJR50 per High-Rel MIL-PRF-39035

- RoHS compliant\* version available
- For trimmer applications/processing guidelines, [click here](#)

# 3329 - 1/4" Round Trimpot® Trimming Potentiometer

## Electrical Characteristics

|                              |                                 |
|------------------------------|---------------------------------|
| Standard Resistance Range    | 10 to 1 megohm                  |
|                              | (see standard resistance table) |
| Resistance Tolerance         | ±10 % std.                      |
|                              | (closer tolerance available)    |
| Absolute Minimum Resistance  | 1 % or 2 ohms                   |
|                              | (whichever is greater)          |
| Contact Resistance Variation | 3.0 % or 3 ohms max.            |
|                              | (whichever is greater)          |
| Adjustability                |                                 |
| Voltage                      | ±0.05 %                         |
| Resistance                   | ±0.15 %                         |
| Resolution                   | Infinite                        |
| Insulation Resistance        | 500 vdc.                        |
|                              | 1,000 megohms min.              |
| Dielectric Strength          |                                 |
| Sea Level                    | 600 vac                         |
| 80,000 Feet                  | 250 vac                         |
| Adjustment Angle             | 240 ° nom.                      |

## Environmental Characteristics

|                                       |                              |
|---------------------------------------|------------------------------|
| Power Rating @ 85 °C (300 volts max.) | 0.5 watt                     |
| Power Rating @ 150 °C                 | 0 watt                       |
| Temperature Range                     | -55 °C to +150 °C            |
| Temperature Coefficient               | ±100 ppm/°C                  |
| Seal Test                             | 85 °C Fluorinert†            |
| Humidity                              | MIL-STD-202 Method 106       |
|                                       | 96 hours                     |
|                                       | (3 % ΔTR, 10 Megohms IR)     |
| Vibration                             | 30 G (1 % ΔTR; 1 % ΔVR)      |
|                                       | except "P" pin style         |
| Shock                                 | 100 G (1 % ΔTR; 1 % ΔVR)     |
| Load Life                             |                              |
|                                       | 1,000 hours 0.5 watt @ 85 °C |
|                                       | (3 % ΔTR; 3 % CRV)           |
| Rotational Life                       | 200 cycles                   |
|                                       | (4 % ΔTR; 4 % CRV)           |

## Physical Characteristics

|                    |                             |
|--------------------|-----------------------------|
| Mechanical Angle   | 260 ° nom.                  |
| Torque             | 5.0 oz-in. max.             |
| Stop Strength      | 5.0 oz-in. min.             |
| Terminals          | Solderable pins             |
| Weight             | 0.02 oz.                    |
| Marking            | Manufacturer's trademark,   |
|                    | resistance code, date code, |
|                    | manufacturer's model number |
|                    | and style                   |
| Wiper              | 50 % (Actual TR) ±10 %      |
| Standard Packaging | 50 pcs. per tube            |
| Adjustment Tool    | H-90                        |

## Product Dimensions

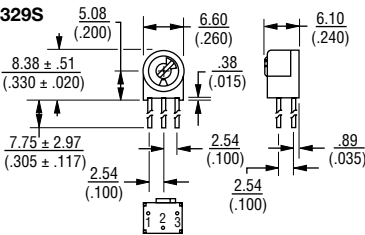
3329H



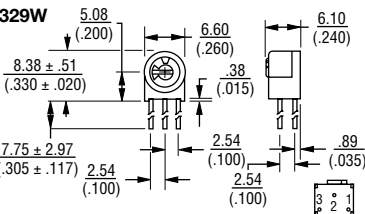
3329P



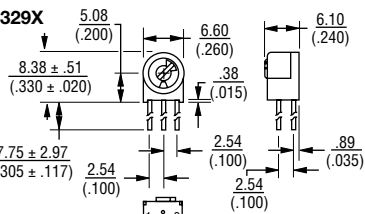
3329S



3329W



3329X



3329P-DK9-RC



DIMENSIONS:  $\frac{\text{MM}}{\text{(INCHES)}}$   
 TOLERANCES: ±  $\frac{0.25}{(.010)}$  EXCEPT WHERE NOTED



## How To Order

Model **3329 M - 1 - 103** \_\_\_\_\_ LF

Style \_\_\_\_\_

Standard or Modified Product Indicator  
 -1 = Standard Product  
 -DK9 = Plastic Spacer

Resistance Code \_\_\_\_\_

Packaging Designator \_\_\_\_\_

Blank = Tube (Standard)  
 R = Tape and Reel (M and U Pin Styles Only)  
 A = Ammo Pack (M and U Pin Styles Only)

Terminations \_\_\_\_\_  
 LF = 100 % Tin-plated (RoHS compliant)  
 Blank = 90 % Tin / 10 % Lead-plated (Standard)

Consult factory for other available options.

\*RoHS Directive 2002/95/EC Jan 27 2003 including Annex.

†"Fluorinert" is a registered trademark of 3M Co.

Specifications are subject to change without notice.

Customers should verify actual device performance in their specific applications.

# 3329 - 1/4 " Round Trimpot® Trimming Potentiometer

# BOURNS®

## Standard Resistance Table

| Resistance (Ohms) | Resistance Code |
|-------------------|-----------------|
| 10                | 100             |
| 20                | 200             |
| 50                | 500             |
| <b>100</b>        | <b>101</b>      |
| <b>200</b>        | <b>201</b>      |
| <b>500</b>        | <b>501</b>      |
| <b>1,000</b>      | <b>102</b>      |
| <b>2,000</b>      | <b>202</b>      |
| <b>5,000</b>      | <b>502</b>      |
| <b>10,000</b>     | <b>103</b>      |
| <b>20,000</b>     | <b>203</b>      |
| <b>25,000</b>     | <b>253</b>      |
| <b>50,000</b>     | <b>503</b>      |
| <b>100,000</b>    | <b>104</b>      |
| 200,000           | 204             |
| 250,000           | 254             |
| 500,000           | 504             |
| 1,000,000         | 105             |

Popular distribution resistance values listed in boldface. Special resistances available.

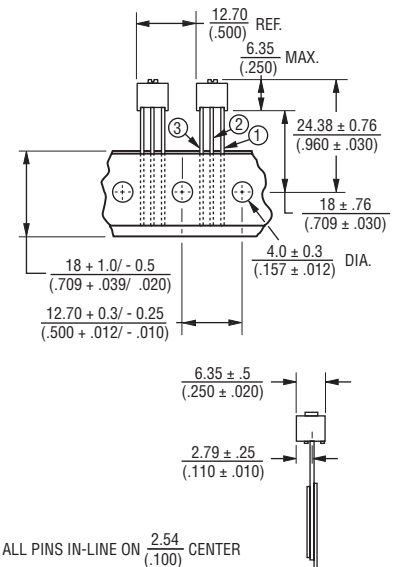
## Packaging Specifications

### SIDE ADJUST 3329M-1



ALL PINS IN-LINE ON  $\frac{2.54}{(.100)}$  CENTER  
 DIMENSIONS:  $\frac{\text{MM}}{\text{(INCHES)}}$   
 1000/REEL/BOX

### TOP ADJUST 3329U-1



ALL PINS IN-LINE ON  $\frac{2.54}{(.100)}$  CENTER  
 DIMENSIONS:  $\frac{\text{MM}}{\text{(INCHES)}}$   
 1000/REEL/BOX

Meets EIA Specification 468.