

PLEASE CHECK WWW.MOLEX.COM FOR LATEST PART INFORMATION

Part Number: [0355070400](#)
Status: **Active**
Overview: [Sherlock™ Connector System](#)
Description: 2.00mm Pitch Sherlock™ Wire-to-Board Housing, Natural, 4 Circuits

Documents:

| | |
|--|--|
| 3D Model | Product Specification PS-35507-003 (PDF) |
| Drawing (PDF) | Packaging Specification PK-35507-001 (PDF) |
| Product Specification PS-35507-001 (PDF) | RoHS Certificate of Compliance (PDF) |
| Product Specification PS-35507-002 (PDF) | |

Agency Certification

| | |
|-----|---------|
| CSA | LR19980 |
| UL | E29179 |

General

| | |
|----------------|--|
| Product Family | Crimp Housings |
| Series | 35507 |
| Application | Signal, Wire-to-Board |
| MolexKits | Yes |
| Overview | Sherlock™ Connector System |
| Product Name | Sherlock™ |
| UPC | 800754241861 |

Physical

| | |
|-------------------------------|-----------------|
| Circuits (maximum) | 4 |
| Circuits Detail | 4 |
| Color - Resin | Natural |
| Flammability | 94V-0 |
| Gender | Female |
| Glow-Wire Compliant | No |
| Keying to Mating Part | None |
| Lock to Mating Part | Yes |
| Material - Resin | Polyester |
| Net Weight | 0.206/g |
| Number of Rows | 1 |
| Packaging Type | Bag |
| Panel Mount | No |
| Pitch - Mating Interface | 2.00mm |
| Polarized to Mating Part | Yes |
| Stackable | No |
| Temperature Range - Operating | -40°C to +105°C |

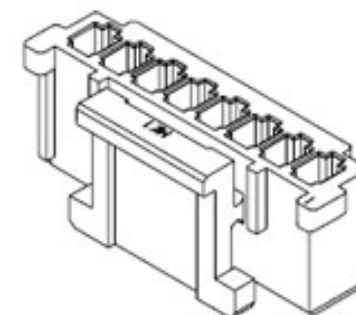
Electrical

| | |
|-------------------------------|------|
| Current - Maximum per Contact | 2.0A |
|-------------------------------|------|

Material Info

Reference - Drawing Numbers

| | |
|-------------------------|---|
| Packaging Specification | PK-35507-001 |
| Product Specification | PS-35507-001, PS-35507-002, PS-35507-003, RPS-35507-003, RPS-35507-004, RPS-35507-005, RPS-35507-006, RPS-35507-009, RPS-35507-010, RPS-35507-011, RPS-35507-014 |
| Sales Drawing | SD-35507-001 |



Series image - Reference only

EU ELV

Not Relevant

EU RoHS

Compliant

REACH SVHC

Contains SVHC(2014 December 17): No

Halogen-Free

Status

Not Low-Halogen

Need more information on product environmental compliance?

Email productcompliance@molex.com
Please visit the [Contact Us](#) section for any non-product compliance questions.

China ROHS

ELV

Green Image

Not Relevant

Search Parts in this Series

[35507 Series](#)

Mates With

Sherlock™ Wire-to-Board Header [35362](#) , [35363](#)

Use With

2.00mm Pitch Crimp Terminal [50212](#)

This document was generated on 07/08/2015

PLEASE CHECK WWW.MOLEX.COM FOR LATEST PART INFORMATION

Mouser Electronics

Authorized Distributor

Click to View Pricing, Inventory, Delivery & Lifecycle Information:

[Molex:](#)

[35507-0400](#)