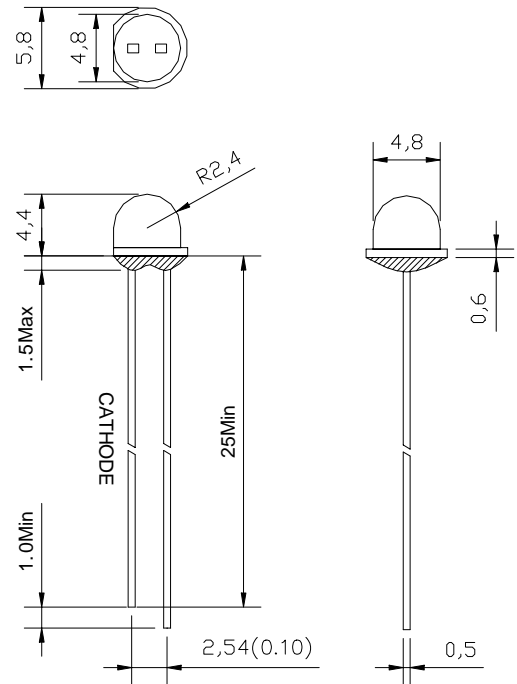


GNL-5073xx (5mm ROUND TYPE) Ultra Brightness

ABSOLUTE MAXIMUM RATING:(Ta=25)

Parameter			Unit
DC Forward Current	30		mA
Reverse Voltage	5		V
Reverse Current (Vr=5V)	10		μA
Peak Forward Current ,tw ,=1 msec Duty ,=1/20	150		mA
Operation Temperature	-40	+80	
Storage Temperature	-40	+100	
Solder Dip (5 seconds,1.6mm from body) Temperature	300	± 5	



Feature:

- 1.Small flange without stand-off
- 2.Long life-solid state reliability
- 3.Long lead length(25.4mm)
- 4.Versatile mounting on P.C. board or panel

Description:

- 1.The shape of this series is round
- 2.General application is for indication,illumination,etc.
- 3.These LED lamps are available with a choice of defferent colors,light intensities,epoxy colors,etc.

Part Number	EMITTED COLOR		Lens Color	Peak Wavelength (nm)	Vf (v) Typ.	IV (If=20mA) mcd		View Angle 2 1/2
						Min.	Typ.	
GNL-5073URC	GaAlAs	Super Red	Water Clear	660	1.9	80	150	120 °
GNL-5073UEC	AlGaInP	Super Red	Water Clear	625	2.0	80	150	120 °
GNL-5073UYC	AlGaInP	Super Yellow	Water Clear	590	2.0	60	100	120 °
GNL-5073UBC	InGaN	Super Blue	Water Clear	470	3.5	90	150	120 °
GNL-5073PGC	InGaN	Pure Green	Water Clear	525	3.5	300	400	120 °
GNL-5073BGC	InGaN	Super Cyan	Water Clear	505	3.5	200	300	120 °
GNL-5073UGC	AlGaInP	Yellow Green	Water Clear	572	2.0	60	100	120 °
GNL-5073UEC-TL	AlGaInP	Ultra Super Red	Water Clear	625	2.0	150	250	120 °
GNL-5073UYC-TL	AlGaInP	Ultra Super Yellow	Water Clear	590	2.0	150	250	120 °
GNL-5073UBC-TL	InGaN	Ultra Super Blue	Water Clear	470	3.5	150	250	120 °
GNL-5073PGC-TL	InGaN	Ultra Super Green	Water Clear	525	3.5	400	500	120 °
GNL-5073UWC	InGaN	Ultra Super White	Water Clear	5500K-7000K	3.5	700	800	120 °
GNL-5073UWC-Y	InGaN	Ultra Warm White	Water Clear	2700K-3500K	3.5	500	600	120 °