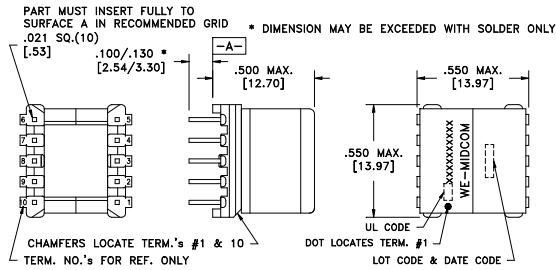
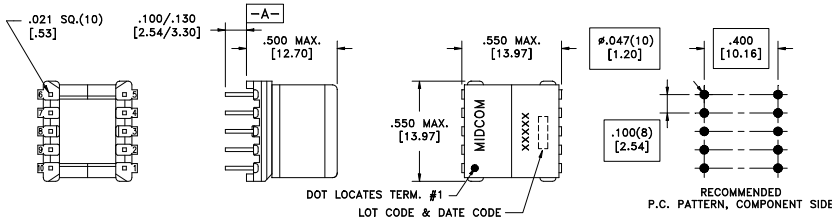




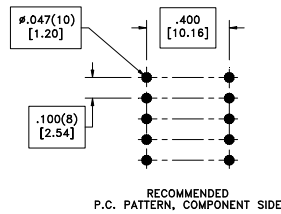
# Infinion HDSL recommendations

## DigitalTelecom

### Mechanical 1



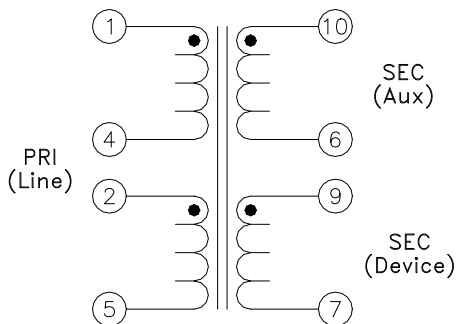
### Mechanical 2



### Features

- RoHS compatible
- Compatible with Infineon chip-sets
- Designed to meet IEC950 requirements
- Good total harmonic distortion characteristics
- Optimized for size and performance
- 135 ohm line impedance
- Customization available
- For IC approval status, contact Midcom

Part Number	IC Number	Application	Turns Ratio		Mechanical
			PRI:SEC	IEC950	
51262R	Socrates	Optimized for low frequency	3.2:1	Supplementary	1
51241	Socrates	Optimized for low frequency	3.2:1	Supplementary	1
51575R	Socrates	Optimized for high frequency	3.2:1	Supplementary	1
50921	Socrates	Optimized for high frequency	3.2:1	Supplementary	1
750510041	PEB22622 PEF22623 PEF24622	SHDSL Chipset	3.2:1	Supplementary	2



### Schematic