

AC INLET Series

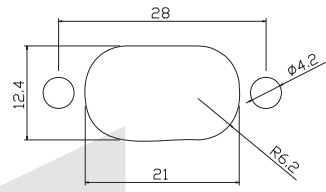
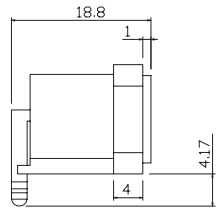
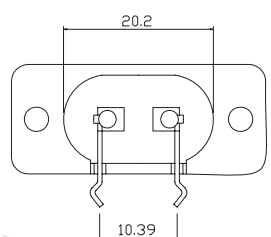
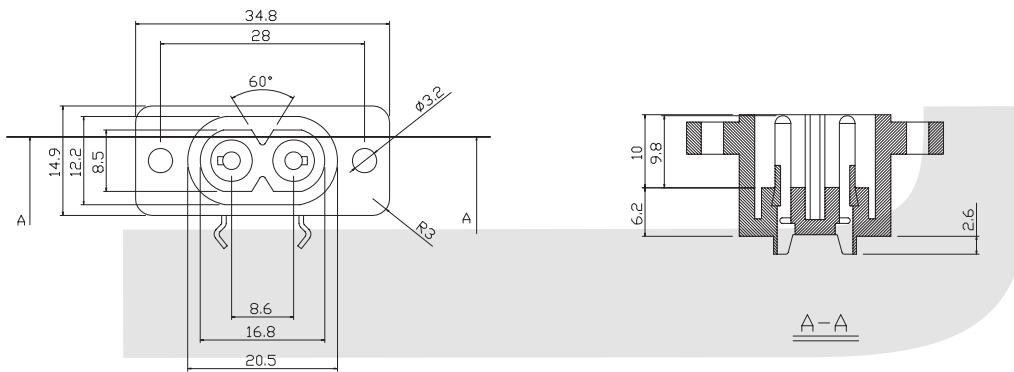
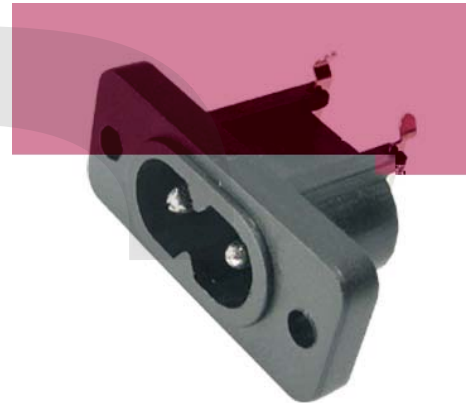
KLS1-AS-222-12 C8 AC INLET Series

SPECIFICATION:

Standard: IEC 60320 C8
 Voltage rating: 250V AC
 Rating: 250VAC 10A (2.5A)
 Insulation Resistance: 100MQ 500V DC / 1 minute
 Dielectric Strength: 2000VAC / 1 minute
 Temperature range: -45°C ~ +105°C

Material:

Housing Material: PBT UL 94V-0 or PA66/PC UL 94V-0
 Terminal: Brass ,plating Ni.



PANEL CUT-OUT

ORDER INFORMATION

Product NO.: KLS1-AS-222-12

Pos. NO. _____

AC Inlet Type _____