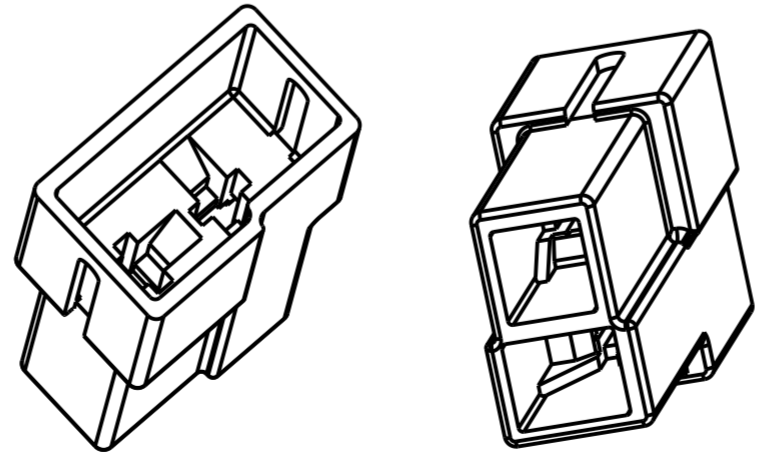
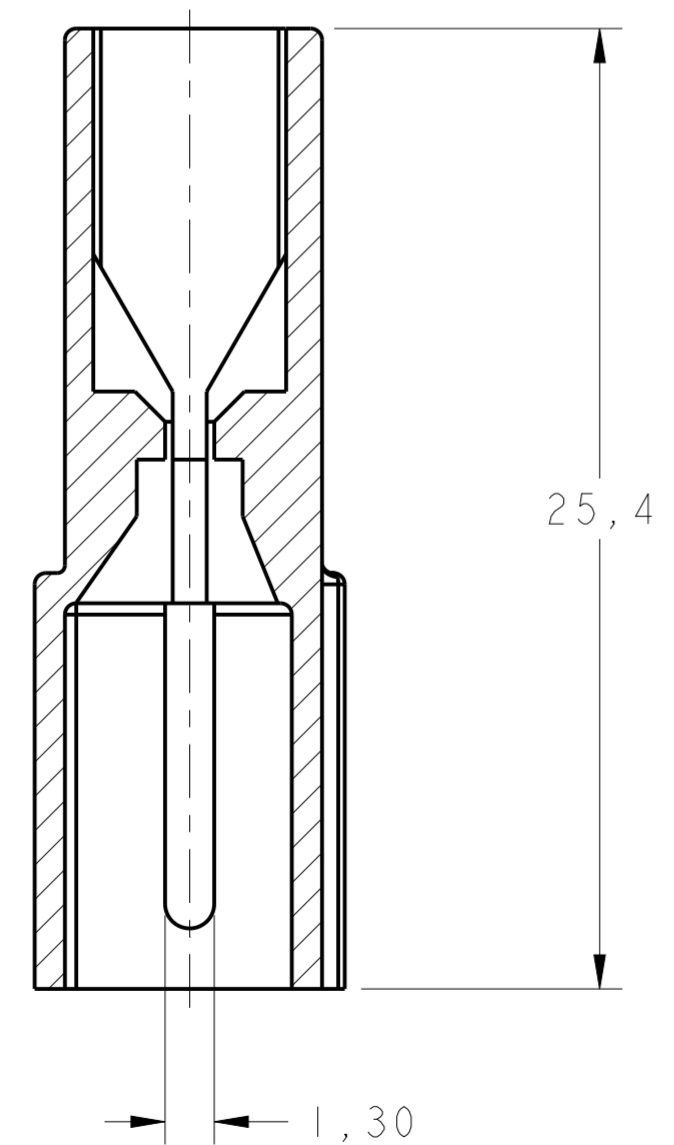
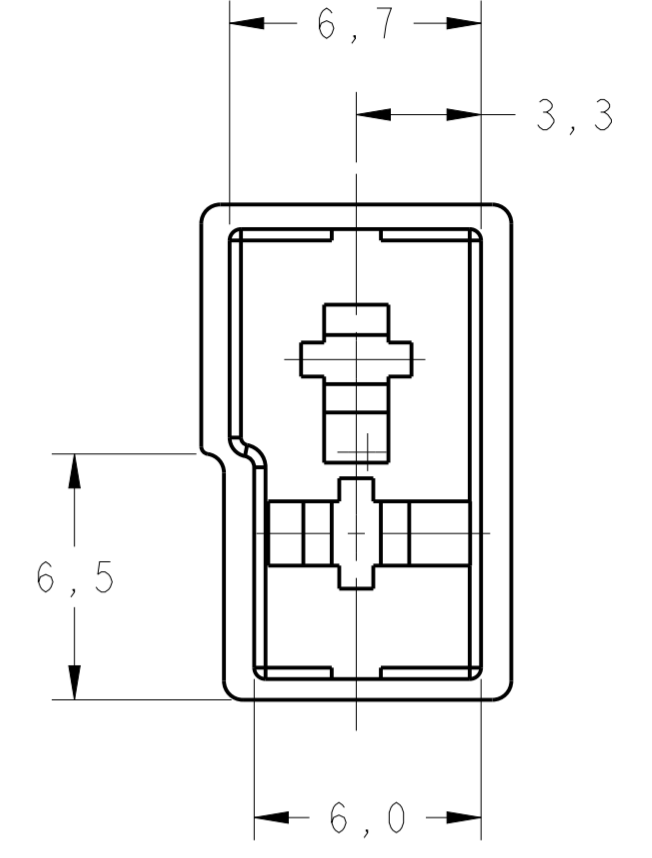
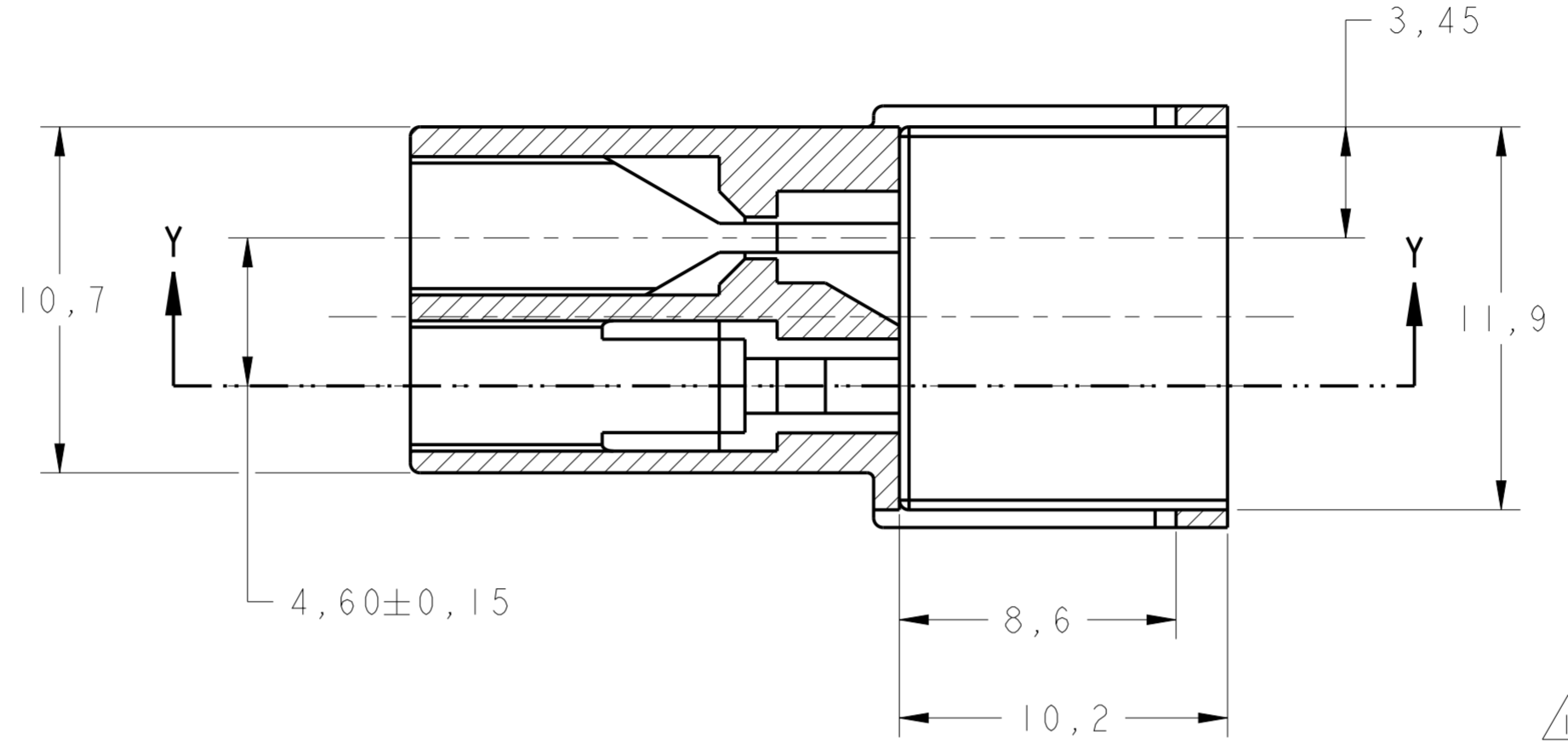
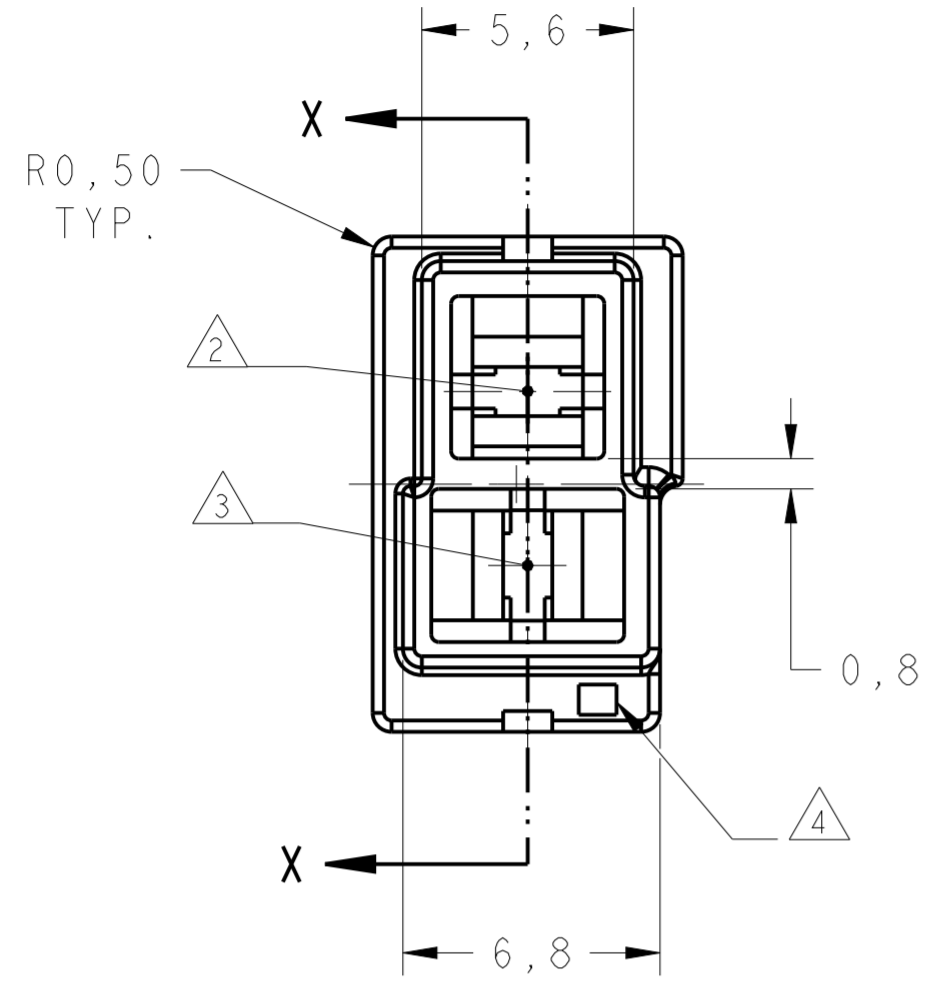


THIS DRAWING IS UNPUBLISHED. RELEASED FOR PUBLICATION 20  
 © COPYRIGHT 20 BY - ALL RIGHTS RESERVED.



REVISIONS					
P	LTR	DESCRIPTION	DATE	DWN	APVD
M		REVISED DESIGN ECO-14-005638	16APR2014	NCL	GOJ



- 1 - MATERIA PRIMA CONFORME ESPECIF. IEC 60335-1  
GWT 750° C, SEM CHAMAS.  
- RAW MATERIAL ACC. TO SPEC 60335-1  
GWT 750° C, WITHOUT FRAME.
- 2 - CIRCUITO 1-SOMENTE PARA REFERENCIA.  
- CIRCUIT 1- FOR REFERENCE ONLY.
- 3 - CIRCUITO 2- SOMENTE PARA REFERENCIA.  
- CIRCUIT 2- FOR REFERENCE ONLY.
- 4 - NÚMERO DA CAVIDADE DO MOLDE.  
- MOLD CAVITY NUMBER.
- 5 - OBSOLETE PARTS: OBSOLETE CIS STREAMLINING  
PER D.RENAUD/D.SINISI

FINISH	MATERIAL	PART NUMBER
NATURAL	PA6.6 V-0	1-626065 -2
NATURAL	PA6.6-ZYTEL 103 HSL	5 1-626065 -1
NATURAL	PBT V-0	5 1-626065 -0
ORANGE	POLIAMIDA 6.6	5 626065 -9
VIOLET	POLIAMIDA 6.6	5 626065 -8
GRAY	POLIAMIDA 6.6	5 626065 -7
BROWN	POLIAMIDA 6.6	5 626065 -6
BLACK	POLIAMIDA 6.6	626065 -5
YELLOW	POLIAMIDA 6.6	5 626065 -4
BLUE	POLIAMIDA 6.6	5 626065 -3
GREEN	POLIAMIDA 6.6	5 626065 -2
RED	POLIAMIDA 6.6	5 626065 -1
NATURAL	POLIAMIDA 6.6	626065 -0

THIS DRAWING IS A CONTROLLED DOCUMENT.

DWN: NCLAPRESA 18FEB2011	CHK: JRGOLDSCHIMDT 18FEB2011	APVD: MBGODOY 18FEB2011	NAME: -
DIMENSIONS: mm		TOLERANCES UNLESS OTHERWISE SPECIFIED:	
0 PLC ±0,2		1 PLC ±0,3	
2 PLC ±		3 PLC ±	
4 PLC ±		ANGLES ±30°	
MATERIAL: SEE TABLE		FINISH: -	

Customer Drawing

**STE** TE Connectivity

HOUSING 2 POSN., FASTIN-ON .110 TAB

SIZE: A2 CAGE CODE: 00779 DRAWING NO: 626065 RESTRICTED TO: -

SCALE: 5:1 SHEET: OF: REV: M