

# DATA SHEET

## **74ALS30A** 8-Input NAND gate

Product specification

1991 Feb 08

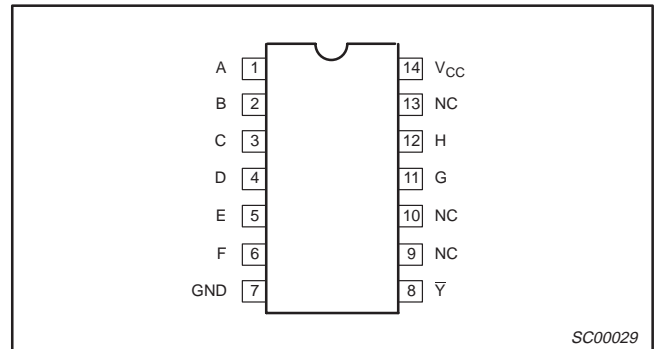
IC05 Data Handbook

# 8-input NAND gate

# 74ALS30A

| TYPE     | TYPICAL PROPAGATION DELAY | TYPICAL SUPPLY CURRENT (TOTAL) |
|----------|---------------------------|--------------------------------|
| 74ALS30A | 5.0ns                     | 0.5mA                          |

### PIN CONFIGURATION



### ORDERING INFORMATION

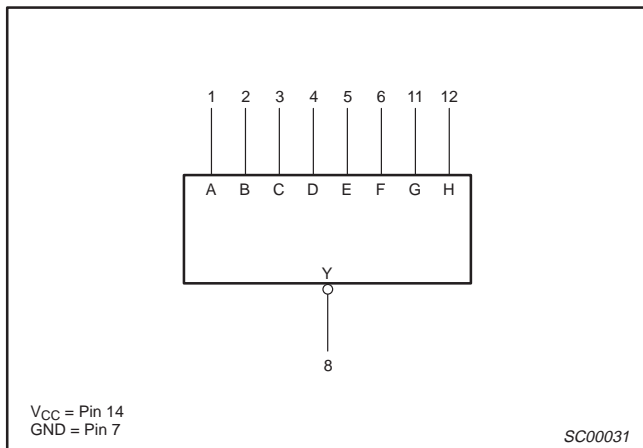
| DESCRIPTION        | ORDER CODE  | DRAWING NUMBER |
|--------------------|---|----------------|
|                    | COMMERCIAL RANGE<br>$V_{CC} = 5V \pm 10\%$ ,<br>$T_{amb} = 0^{\circ}C \text{ to } +70^{\circ}C$ |                |
| 14-pin plastic DIP | 74ALS30AN   | SOT27-1        |
| 14-pin plastic SO  | 74ALS30AD   | SOT108-1       |

### INPUT AND OUTPUT LOADING AND FAN-OUT TABLE

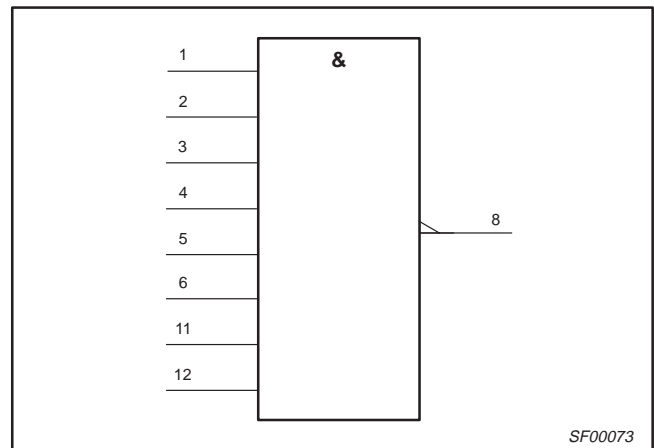
| PINS  | DESCRIPTION | 74ALS (U.L.) HIGH/LOW | LOAD VALUE HIGH/LOW |
|-------|-------------|-----------------------|---------------------|
| A – H | Data inputs | 1.0/1.0               | 20 $\mu$ A/0.1mA    |
| Y     | Data output | 20/80                 | 0.4mA/8mA           |

**NOTE:** One (1.0) ALS unit load is defined as: 20 $\mu$ A in the High state and 0.1mA in the Low state.

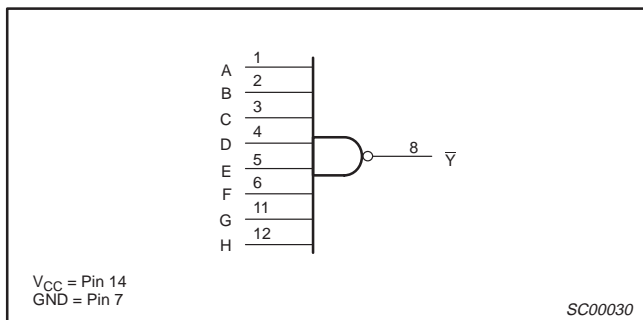
### LOGIC SYMBOL



### IEC/IEEE SYMBOL



### LOGIC DIAGRAM



### FUNCTION TABLE

| INPUTS |   |   |   |   |   |   |   | OUTPUT |
|--------|---|---|---|---|---|---|---|--------|
| A      | B | C | D | E | F | G | H | Y      |
| H      | H | H | H | H | H | H | H | L      |
| L      | X | X | X | X | X | X | X | H      |
| X      | L | X | X | X | X | X | X | H      |
| X      | X | L | X | X | X | X | X | H      |
| X      | X | X | L | X | X | X | X | H      |
| X      | X | X | X | L | X | X | X | H      |
| X      | X | X | X | X | L | X | X | H      |
| X      | X | X | X | X | X | L | X | H      |
| X      | X | X | X | X | X | X | L | H      |

H = High voltage level  
L = Low voltage level  
X = Don't care

## 8-input NAND gate

74ALS30A

**ABSOLUTE MAXIMUM RATINGS**

(Operation beyond the limit set forth in this table may impair the useful life of the device.  
Unless otherwise noted these limits are over the operating free-air temperature range.)

| SYMBOL    | PARAMETER                                      | RATING           | UNIT |
|-----------|--|------------------|------|
| $V_{CC}$  | Supply voltage                                 | -0.5 to +7.0     | V    |
| $V_{IN}$  | Input voltage                                  | -0.5 to +7.0     | V    |
| $I_{IN}$  | Input current                                  | -30 to +5        | mA   |
| $V_{OUT}$ | Voltage applied to output in High output state | -0.5 to $V_{CC}$ | V    |
| $I_{OUT}$ | Current applied to output in Low output state  | 16               | mA   |
| $T_{amb}$ | Operating free-air temperature range           | 0 to +70         | °C   |
| $T_{stg}$ | Storage temperature range                      | -65 to +150      | °C   |

**RECOMMENDED OPERATING CONDITIONS**

| SYMBOL    | PARAMETER                            | LIMITS |     |      | UNIT |
|-----------|--------------------------------------|--------|-----|------|------|
|           |                                      | MIN    | NOM | MAX  |      |
| $V_{CC}$  | Supply voltage                       | 4.5    | 5.0 | 5.5  | V    |
| $V_{IH}$  | High-level input voltage             | 2.0    |     |      | V    |
| $V_{IL}$  | Low-level input voltage              |        |     | 0.8  | V    |
| $I_{IK}$  | Input clamp current                  |        |     | -18  | mA   |
| $I_{OH}$  | High-level output current            |        |     | -0.4 | mA   |
| $I_{OL}$  | Low-level output current             |        |     | 8    | mA   |
| $T_{amb}$ | Operating free-air temperature range | 0      |     | +70  | °C   |

**DC ELECTRICAL CHARACTERISTICS**

(Over recommended operating free-air temperature range unless otherwise noted.)

| SYMBOL   | PARAMETER                              | TEST CONDITIONS <sup>1</sup>   | LIMITS                |                  |      | UNIT |
|----------|--|--|-----------------------|------------------|------|------|
|          |  |  | MIN                   | TYP <sup>2</sup> | MAX  |      |
| $V_{OH}$ | High-level output voltage              | $V_{CC} \pm 10\%$ , $V_{IL} = \text{MAX}$ , $V_{IH} = \text{MIN}$ , $I_{OH} = -0.4\text{mA}$ | $V_{CC} - 2$          |                  |      | V    |
| $V_{OL}$ | Low-level output voltage               | $V_{CC} = \text{MIN}$ , $V_{IL} = \text{MAX}$ ,<br>$V_{IH} = \text{MIN}$                     | $I_{OL} = 4\text{mA}$ | 0.25             | 0.40 | V    |
|          |  |  | $I_{OL} = 8\text{mA}$ | 0.35             | 0.50 | V    |
| $V_{IK}$ | Input clamp voltage                    | $V_{CC} = \text{MIN}$ , $I_I = I_{IK}$   |                       | -0.73            | -1.5 | V    |
| $I_I$    | Input current at maximum input voltage | $V_{CC} = \text{MAX}$ , $V_I = 7.0\text{V}$  |                       |                  | 0.1  | mA   |
| $I_{IH}$ | High-level input current               | $V_{CC} = \text{MAX}$ , $V_I = 2.7\text{V}$  |                       |                  | 20   | μA   |
| $I_{IL}$ | Low-level input current                | $V_{CC} = \text{MAX}$ , $V_I = 0.5\text{V}$  |                       |                  | -0.1 | mA   |
| $I_O$    | Output current <sup>3</sup>            | $V_{CC} = \text{MAX}$ , $V_O = 2.25\text{V}$   | -30                   |                  | -112 | mA   |
| $I_{CC}$ | Supply current (total)                 | $V_{CC} = \text{MAX}$  | $V_I = 0\text{V}$     | 0.20             | 0.36 | mA   |
|          |  |  | $V_I = 4.5\text{V}$   | 0.64             | 0.9  | mA   |

**NOTES:**

- For conditions shown as MIN or MAX, use the appropriate value specified under recommended operating conditions for the applicable type.
- All typical values are at  $V_{CC} = 5\text{V}$ ,  $T_{amb} = 25^\circ\text{C}$ .
- The output conditions have been chosen to produce a current that closely approximate one half of the true short-circuit output current,  $I_{OS}$ .

# 8-input NAND gate

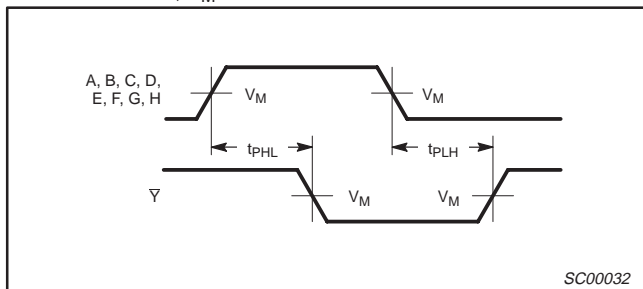
# 74ALS30A

## AC ELECTRICAL CHARACTERISTICS

| SYMBOL                 | PARAMETER   | TEST CONDITION | LIMITS  |             | UNIT |
|------------------------|---|----------------|---|-------------|------|
|                        |   |                | $T_{amb} = 0^{\circ}\text{C to } +70^{\circ}\text{C}$<br>$V_{CC} = +5.0\text{V} \pm 10\%$<br>$C_L = 50\text{pF}, R_L = 500\Omega$ |             |      |
|                        |   |                | MIN   | MAX         |      |
| $t_{PLH}$<br>$t_{PHL}$ | Propagation delay<br>A, B, C, D, E, F, G, H to $n\bar{Y}$ | Waveform 1     | 2.0<br>3.0  | 8.0<br>10.0 | ns   |

## AC WAVEFORMS

For all waveforms,  $V_M = 1.3\text{V}$ .



Waveform 1. Propagation Delay for Data to Output

## TEST CIRCUIT AND WAVEFORMS

**Test Circuit for Totem-pole Outputs**

**Input Pulse Definition**

**DEFINITIONS:**  
 $R_L$  = Load resistor; see AC electrical characteristics for value.  
 $C_L$  = Load capacitance includes jig and probe capacitance; see AC electrical characteristics for value.  
 $R_T$  = Termination resistance should be equal to  $Z_{OUT}$  of pulse generators.

| Family | INPUT PULSE REQUIREMENTS |       |          |       |           |           |
|--------|--------------------------|-------|----------|-------|-----------|-----------|
|        | Amplitude                | $V_M$ | Rep.Rate | $t_w$ | $t_{TLH}$ | $t_{THL}$ |
| 74ALS  | 3.5V                     | 1.3V  | 1MHz     | 500ns | 2.0ns     | 2.0ns     |

SC00005

# 8-input NAND gate

# 74ALS30A

DIP14: plastic dual in-line package; 14 leads (300 mil)

SOT27-1



**DIMENSIONS (inch dimensions are derived from the original mm dimensions)**

| UNIT   | A max. | A <sub>1</sub> min. | A <sub>2</sub> max. | b              | b <sub>1</sub> | c              | D <sup>(1)</sup> | E <sup>(1)</sup> | e    | e <sub>1</sub> | L            | M <sub>E</sub> | M <sub>H</sub> | w     | Z <sup>(1)</sup> max. |
|--------|--------|---------------------|---------------------|----------------|----------------|----------------|------------------|------------------|------|----------------|--------------|----------------|----------------|-------|-----------------------|
| mm     | 4.2    | 0.51                | 3.2                 | 1.73<br>1.13   | 0.53<br>0.38   | 0.36<br>0.23   | 19.50<br>18.55   | 6.48<br>6.20     | 2.54 | 7.62           | 3.60<br>3.05 | 8.25<br>7.80   | 10.0<br>8.3    | 0.254 | 2.2                   |
| inches | 0.17   | 0.020               | 0.13                | 0.068<br>0.044 | 0.021<br>0.015 | 0.014<br>0.009 | 0.77<br>0.73     | 0.26<br>0.24     | 0.10 | 0.30           | 0.14<br>0.12 | 0.32<br>0.31   | 0.39<br>0.33   | 0.01  | 0.087                 |

**Note**

1. Plastic or metal protrusions of 0.25 mm maximum per side are not included.

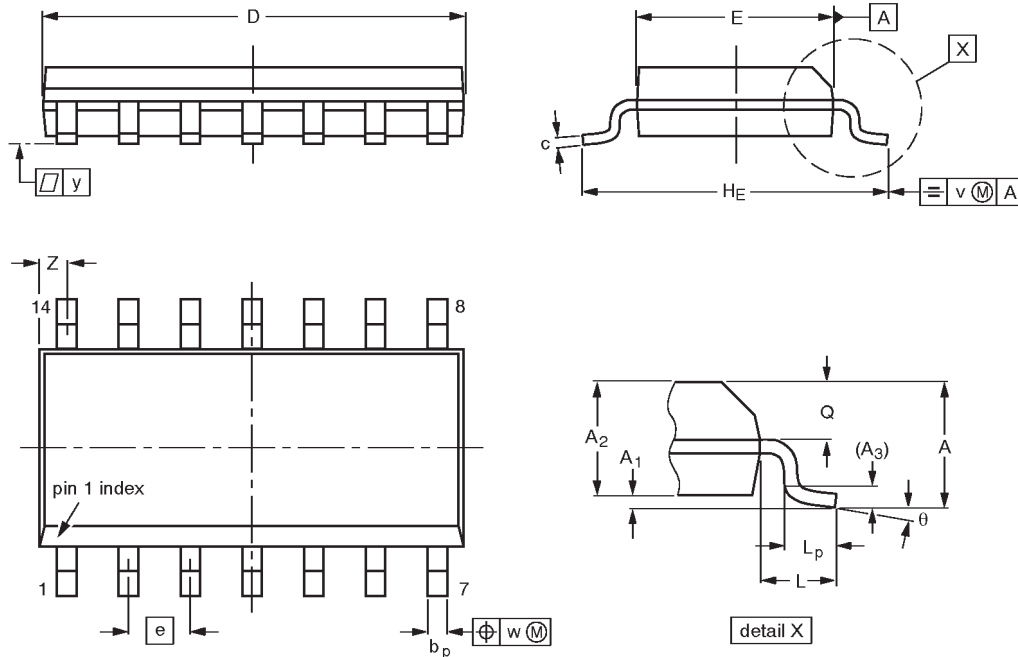
| OUTLINE VERSION | REFERENCES |          |      |  | EUROPEAN PROJECTION | ISSUE DATE           |
|-----------------|------------|----------|------|--|---------------------|----------------------|
|                 | IEC        | JEDEC    | EIAJ |  |                     |                      |
| SOT27-1         | 050G04     | MO-001AA |      |  |                     | 92-11-17<br>95-03-11 |

# 8-input NAND gate

# 74ALS30A

SO14: plastic small outline package; 14 leads; body width 3.9 mm

SOT108-1



**DIMENSIONS** (inch dimensions are derived from the original mm dimensions)

| UNIT   | A max. | A <sub>1</sub>   | A <sub>2</sub> | A <sub>3</sub> | b <sub>p</sub> | c                | D <sup>(1)</sup> | E <sup>(1)</sup> | e     | H <sub>E</sub> | L     | L <sub>p</sub> | Q              | v    | w    | y     | Z <sup>(1)</sup> | θ        |
|--------|--------|------------------|----------------|----------------|----------------|------------------|------------------|------------------|-------|----------------|-------|----------------|----------------|------|------|-------|------------------|----------|
| mm     | 1.75   | 0.25<br>0.10     | 1.45<br>1.25   | 0.25           | 0.49<br>0.36   | 0.25<br>0.19     | 8.75<br>8.55     | 4.0<br>3.8       | 1.27  | 6.2<br>5.8     | 1.05  | 1.0<br>0.4     | 0.7<br>0.6     | 0.25 | 0.25 | 0.1   | 0.7<br>0.3       | 8°<br>0° |
| inches | 0.069  | 0.0098<br>0.0039 | 0.057<br>0.049 | 0.01           | 0.019<br>0.014 | 0.0098<br>0.0075 | 0.35<br>0.34     | 0.16<br>0.15     | 0.050 | 0.24<br>0.23   | 0.041 | 0.039<br>0.016 | 0.028<br>0.024 | 0.01 | 0.01 | 0.004 | 0.028<br>0.012   |          |

**Note**

1. Plastic or metal protrusions of 0.15 mm maximum per side are not included.

| OUTLINE VERSION | REFERENCES |          |      |  | EUROPEAN PROJECTION | ISSUE DATE           |
|-----------------|------------|----------|------|--|---------------------|----------------------|
|                 | IEC        | JEDEC    | EIAJ |  |                     |                      |
| SOT108-1        | 076E06S    | MS-012AB |      |  |                     | 91-08-13<br>95-01-23 |

## 8-input NAND gate

74ALS30A

## DEFINITIONS

| Data Sheet Identification        | Product Status                | Definition   |
|----------------------------------|-------------------------------|--|
| <i>Objective Specification</i>   | <b>Formative or in Design</b> | This data sheet contains the design target or goal specifications for product development. Specifications may change in any manner without notice.   |
| <i>Preliminary Specification</i> | <b>Preproduction Product</b>  | This data sheet contains preliminary data, and supplementary data will be published at a later date. Philips Semiconductors reserves the right to make changes at any time without notice in order to improve design and supply the best possible product. |
| <i>Product Specification</i>     | <b>Full Production</b>        | This data sheet contains Final Specifications. Philips Semiconductors reserves the right to make changes at any time without notice, in order to improve design and supply the best possible product.  |

Philips Semiconductors and Philips Electronics North America Corporation reserve the right to make changes, without notice, in the products, including circuits, standard cells, and/or software, described or contained herein in order to improve design and/or performance. Philips Semiconductors assumes no responsibility or liability for the use of any of these products, conveys no license or title under any patent, copyright, or mask work right to these products, and makes no representations or warranties that these products are free from patent, copyright, or mask work right infringement, unless otherwise specified. Applications that are described herein for any of these products are for illustrative purposes only. Philips Semiconductors makes no representation or warranty that such applications will be suitable for the specified use without further testing or modification.

## LIFE SUPPORT APPLICATIONS

Philips Semiconductors and Philips Electronics North America Corporation Products are not designed for use in life support appliances, devices, or systems where malfunction of a Philips Semiconductors and Philips Electronics North America Corporation Product can reasonably be expected to result in a personal injury. Philips Semiconductors and Philips Electronics North America Corporation customers using or selling Philips Semiconductors and Philips Electronics North America Corporation Products for use in such applications do so at their own risk and agree to fully indemnify Philips Semiconductors and Philips Electronics North America Corporation for any damages resulting from such improper use or sale.

**Philips Semiconductors**  
**811 East Arques Avenue**  
**P.O. Box 3409**  
**Sunnyvale, California 94088-3409**  
**Telephone 800-234-7381**

© Copyright Philips Electronics North America Corporation 1997  
 All rights reserved. Printed in U.S.A.

*Let's make things better.*

This datasheet has been download from:

[www.datasheetcatalog.com](http://www.datasheetcatalog.com)

Datasheets for electronics components.