

**QUAD BISTABLE TRANSPARENT LATCH**

**FEATURES**

- Complementary Q and  $\bar{Q}$  outputs
- VCC and GND on the centre pins
- Output capability: standard
- I<sub>CC</sub> category: MSI

**GENERAL DESCRIPTION**

The 74HC/HCT75 are high-speed Si-gate CMOS devices and are pin compatible with low power Schottky TTL (LSTTL). They are specified in compliance with JEDEC standard no. 7A.

The 74HC/HCT75 have four bistable latches. The two latches are simultaneously controlled by one of two active HIGH enable inputs (LE<sub>1-2</sub> and LE<sub>3-4</sub>). When LE<sub>n-n</sub> is HIGH, the data enters the latches and appears at the nQ outputs. The nQ outputs follow the data inputs (nD) as long as LE<sub>n-n</sub> is HIGH (transparent). The data on the nD inputs one set-up time prior to the HIGH-to-LOW transition of the LE<sub>n-n</sub> will be stored in the latches. The latched outputs remain stable as long as the LE<sub>n-n</sub> is LOW.

SYMBOL	PARAMETER	CONDITIONS	TYPICAL		UNIT
			HC	HCT	
t <sub>PHL</sub> / t <sub>PLH</sub>	propagation delay nD to nQ, n $\bar{Q}$ LE <sub>n-n</sub> to nQ, n $\bar{Q}$	C <sub>L</sub> = 15 pF V <sub>CC</sub> = 5 V	11 11	12 11	ns ns
C <sub>I</sub>	input capacitance		3.5	3.5	pF
C <sub>PD</sub>	power dissipation capacitance per latch	notes 1 and 2	42	42	pF

GND = 0 V; T<sub>amb</sub> = 25 °C; t<sub>r</sub> = t<sub>f</sub> = 6 ns

**Notes**

1. C<sub>PD</sub> is used to determine the dynamic power dissipation (P<sub>D</sub> in  $\mu$ W):

$$P_D = C_{PD} \times V_{CC}^2 \times f_i + \sum (C_L \times V_{CC}^2 \times f_o) \text{ where:}$$

- f<sub>i</sub> = input frequency in MHz
- f<sub>o</sub> = output frequency in MHz
- $\sum (C_L \times V_{CC}^2 \times f_o)$  = sum of outputs
- C<sub>L</sub> = output load capacitance in pF
- V<sub>CC</sub> = supply voltage in V

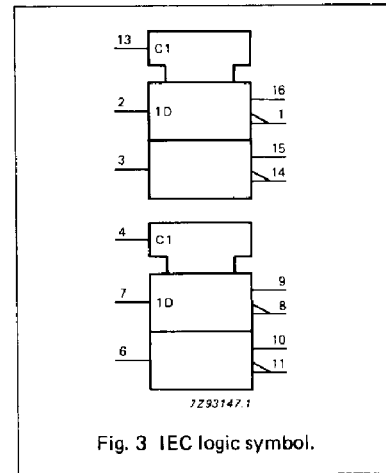
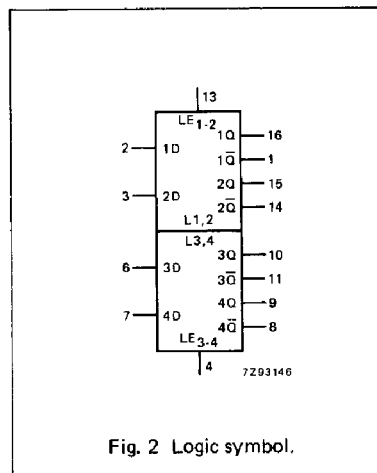
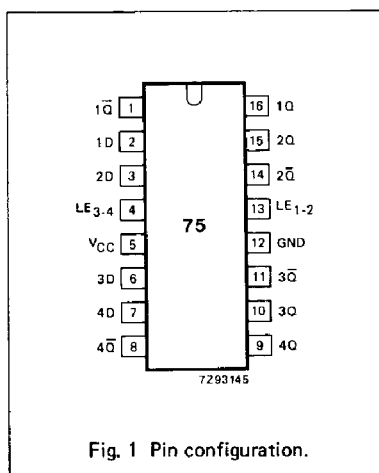
2. For HC the condition is V<sub>I</sub> = GND to V<sub>CC</sub>  
For HCT the condition is V<sub>I</sub> = GND to V<sub>CC</sub> - 1.5 V

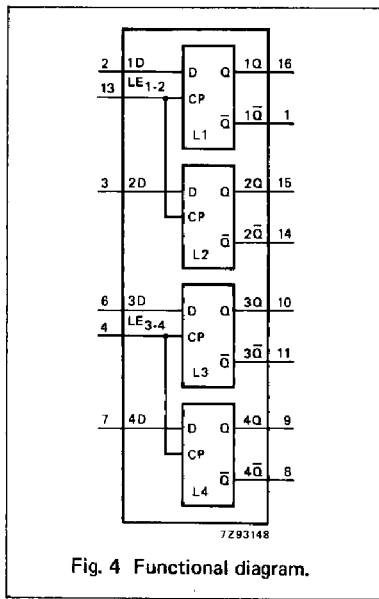
**PACKAGE OUTLINES**

- 16-lead DIL; plastic (SOT38Z).
- 16-lead mini-pack; plastic (SO16; SOT109A).

**PIN DESCRIPTION**

PIN NO.	SYMBOL	NAME AND FUNCTION
1, 14, 11, 8	1 $\bar{Q}$ to 4 $\bar{Q}$	complementary latch outputs
2, 3, 6, 7	1D to 4D	data inputs
4	LE <sub>3-4</sub>	latch enable input, latches 3 and 4 (active HIGH)
5	V <sub>CC</sub>	positive supply voltage
12	GND	ground (0 V)
13	LE <sub>1-2</sub>	latch enable input, latches 1 and 2 (active HIGH)
16, 15, 10, 9	1Q to 4Q	latch outputs

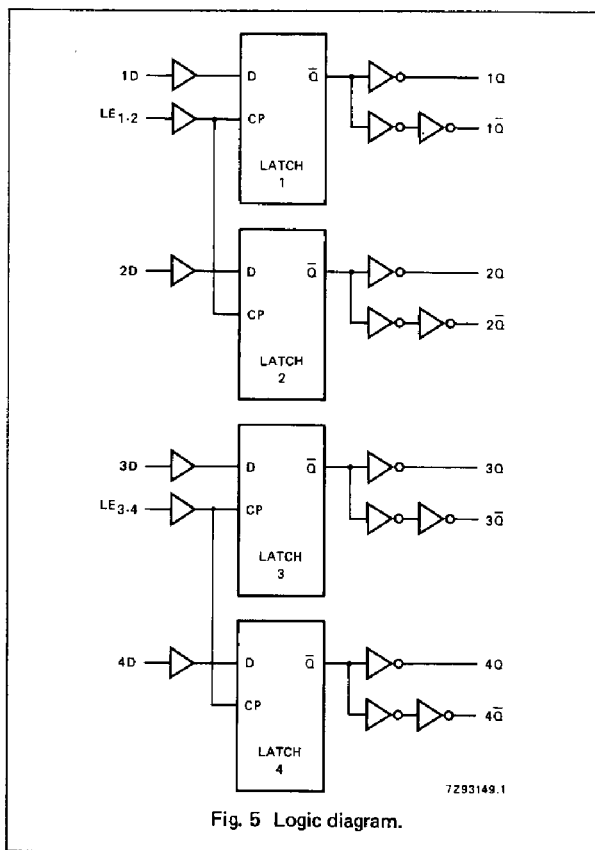




FUNCTION TABLE

OPERATING MODES	INPUTS		OUTPUTS	
	LE <sub>n-n</sub>	nD	nQ	nQ̄
data enabled	H	L	L	H
	H	H	H	L
data latched	L	X	q	q̄

H = HIGH voltage level  
 L = LOW voltage level  
 q = lower case letters indicate the state of the referenced output one set-up time prior to the HIGH-to-LOW LE<sub>n-n</sub> transition  
 X = don't care



## DC CHARACTERISTICS FOR 74HC

For the DC characteristics see chapter "HCMOS family characteristics", section "Family specifications".

Output capability: standard

I<sub>CC</sub> category: MSI

## AC CHARACTERISTICS FOR 74HC

GND = 0 V; t<sub>r</sub> = t<sub>f</sub> = 6 ns; C<sub>L</sub> = 50 pF

SYMBOL	PARAMETER	T <sub>amb</sub> (°C)						UNIT	TEST CONDITIONS		
		74HC							V <sub>CC</sub> V	WAVEFORMS	
		+25			-40 to +85		-40 to +125				
		min.	typ.	max.	min.	max.	min.				max.
t <sub>PHL</sub> / t <sub>PLH</sub>	propagation delay nD to nQ		33 12 10	110 22 19		140 28 24		165 33 28	ns	2.0 4.5 6.0	Fig. 6
t <sub>PHL</sub> / t <sub>PLH</sub>	propagation delay nD to nQ̄		39 14 11	120 24 20		150 30 26		180 36 31	ns	2.0 4.5 6.0	Fig. 7
t <sub>PHL</sub> / t <sub>PLH</sub>	propagation delay LE <sub>n-n</sub> to nQ		33 12 10	120 24 20		150 30 26		180 36 31	ns	2.0 4.5 6.0	Fig. 8
t <sub>PHL</sub> / t <sub>PLH</sub>	propagation delay LE <sub>n-n</sub> to nQ̄		39 14 11	125 25 21		155 31 26		190 38 32	ns	2.0 4.5 6.0	Fig. 8
t <sub>THL</sub> / t <sub>TLH</sub>	output transition time		19 7 6	75 15 13		95 19 16		110 22 19	ns	2.0 4.5 6.0	Figs 6 and 7
t <sub>W</sub>	enable pulse width HIGH	80 16 14	17 6 5		100 20 17		120 24 20		ns	2.0 4.5 6.0	Fig. 8
t <sub>su</sub>	set-up time nD to LE <sub>n-n</sub>	60 12 10	14 5 4		75 15 13		90 18 15		ns	2.0 4.5 6.0	Fig. 9
t <sub>h</sub>	hold time nD to LE <sub>n-n</sub>	3 3 3	-8 -3 -2		3 3 3		3 3 3		ns	2.0 4.5 6.0	Fig. 9

**74HC/HCT75**  
**MSI**

**DC CHARACTERISTICS FOR 74HCT**

For the DC characteristics see chapter "HCMOS family characteristics", section "Family specifications".

Output capability: standard

I<sub>CC</sub> category: MSI

Note to HCT types

The value of additional quiescent supply current ( $\Delta I_{CC}$ ) for a unit load of 1 is given in the family specifications. To determine  $\Delta I_{CC}$  per input, multiply this value by the unit load coefficient shown in the table below.

INPUT	UNIT LOAD COEFFICIENT
nD	0.75
LE <sub>n-n</sub>	1.00

**AC CHARACTERISTICS FOR 74HCT**

GND = 0 V; t<sub>r</sub> = t<sub>f</sub> = 6 ns; C<sub>L</sub> = 50 pF

SYMBOL	PARAMETER	T <sub>amb</sub> (°C)						UNIT	TEST CONDITIONS		
		74HCT							V <sub>CC</sub> V	WAVEFORMS	
		+25			-40 to +85		-40 to +125				
		min.	typ.	max.	min.	max.	min.				max.
t <sub>PHL</sub> / t <sub>PLH</sub>	propagation delay nD to nQ		15	28		35		42	ns	4.5	Fig. 6
t <sub>PHL</sub> / t <sub>PLH</sub>	propagation delay nD to nQ̄		15	28		35		42	ns	4.5	Fig. 7
t <sub>PHL</sub> / t <sub>PLH</sub>	propagation delay LE <sub>n-n</sub> to nQ		13	28		35		42	ns	4.5	Fig. 8
t <sub>PHL</sub> / t <sub>PLH</sub>	propagation delay LE <sub>n-n</sub> to nQ̄		15	30		38		45	ns	4.5	Fig. 8
t <sub>THL</sub> / t <sub>TLH</sub>	output transition time		7	15		19		22	ns	4.5	Figs 6 and 7
t <sub>W</sub>	enable pulse width HIGH	16	4		20		24		ns	4.5	Fig. 8
t <sub>su</sub>	set-up time nD to LE <sub>n-n</sub>	12	4		15		18		ns	4.5	Fig. 9
t <sub>h</sub>	hold time nD to LE <sub>n-n</sub>	3	-2		3		3		ns	4.5	Fig. 9

AC WAVEFORMS

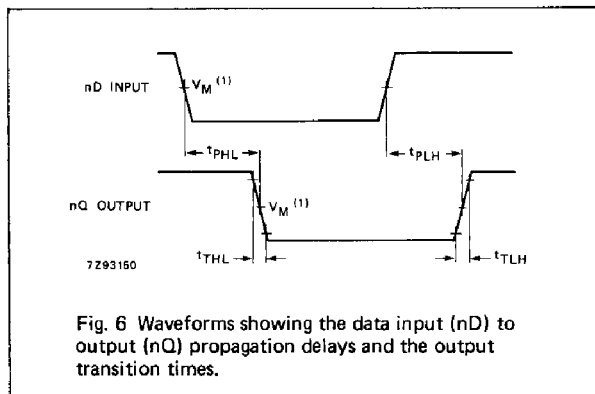


Fig. 6 Waveforms showing the data input (nD) to output (nQ) propagation delays and the output transition times.

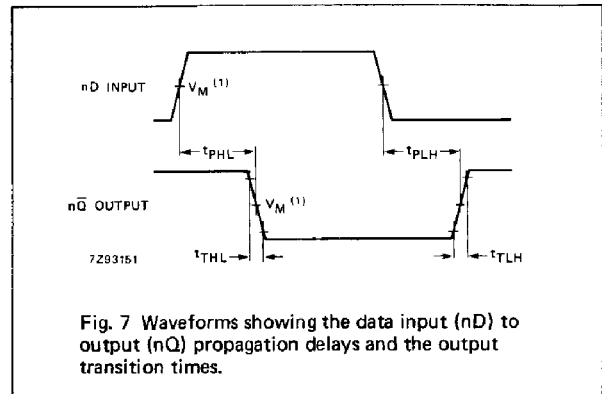


Fig. 7 Waveforms showing the data input (nD) to output (nQ) propagation delays and the output transition times.

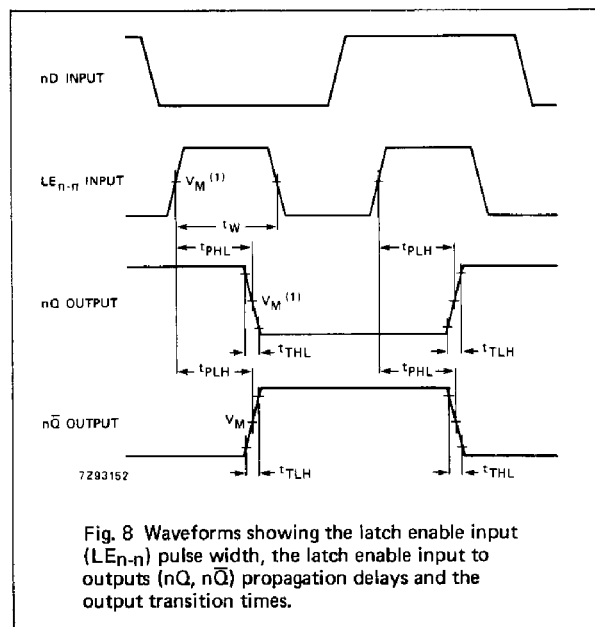


Fig. 8 Waveforms showing the latch enable input (LE<sub>n-n</sub>) pulse width, the latch enable input to outputs (nQ, nQ̄) propagation delays and the output transition times.

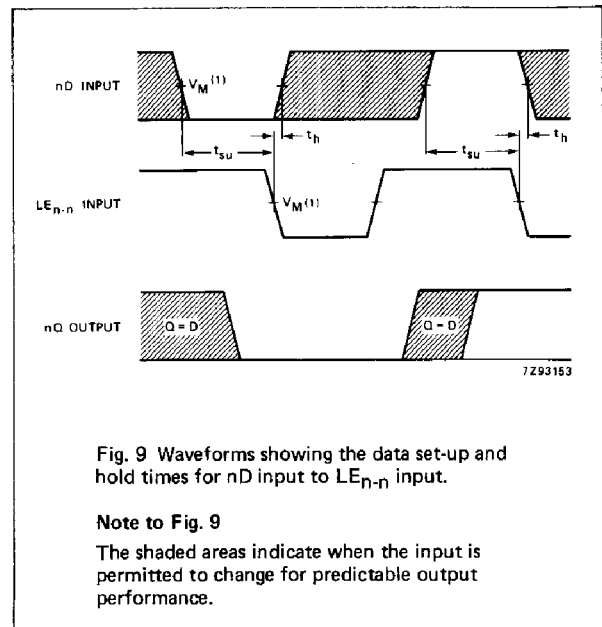


Fig. 9 Waveforms showing the data set-up and hold times for nD input to LE<sub>n-n</sub> input.

Note to Fig. 9

The shaded areas indicate when the input is permitted to change for predictable output performance.

Note to AC waveforms

- (1) HC :  $V_M = 50\%$ ;  $V_1 = \text{GND to } V_{CC}$ .
- HCT:  $V_M = 1.3 \text{ V}$ ;  $V_1 = \text{GND to } 3 \text{ V}$ .