

### ADPV18H (8. 2V/2. 5A)

<b>SPECIAL FEATURES</b>	
※ Universal AC input	※ High efficiency
※ Low output ripple	※ Built-in EMI filter
※ Short circuit protection	※ Over load protection

<b>INPUT</b>	
Input range	85 ~ 264 VAC
Input frequency	47 ~ 63 Hz
Inrush current	< 15A at 115VAC; < 30A at 230VAC; cold start at 25°C
Input current	1.5A Max
Leakage current	<0.5 mA at 50/60 Hz 264VAC input

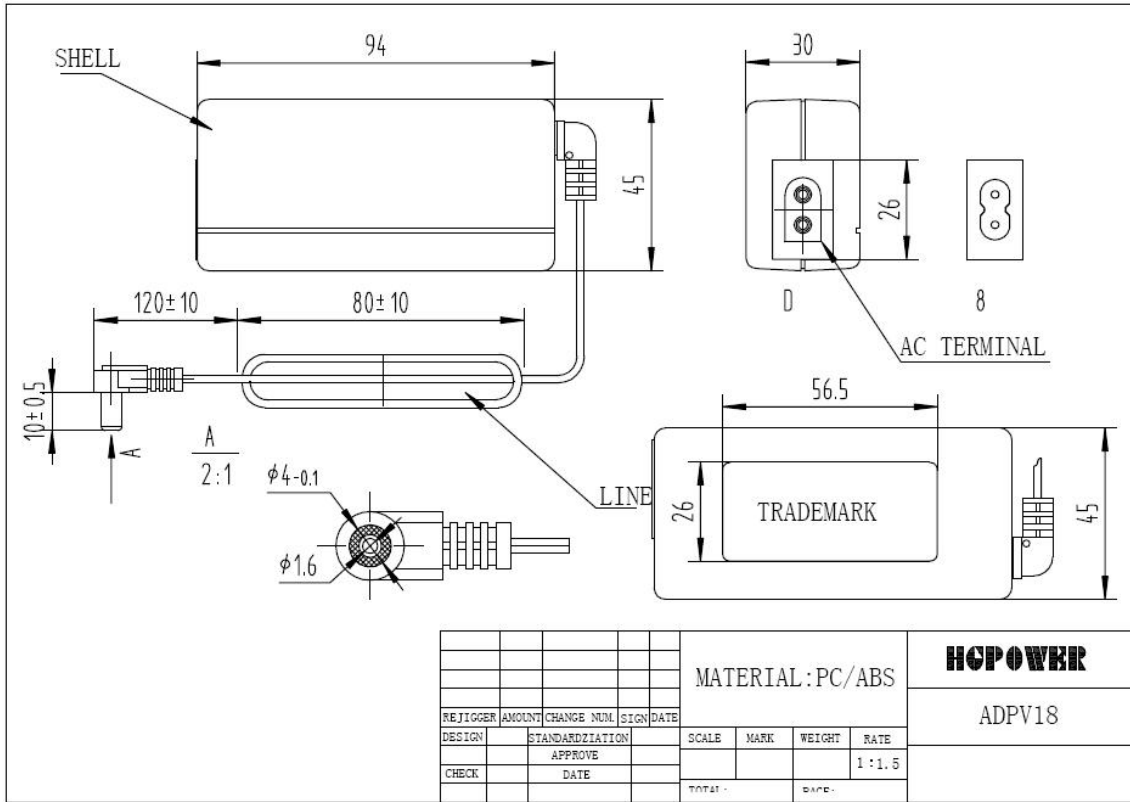
<b>OUTPUT</b>	
Rated output power	20.5 Watts
Output voltage	8.2 V ± 4% (8.10V ≤ V <sub>output</sub> ≤ 8.50V)
Output current	2.5 A
Output load efficiency	≥ 80% at 100VAC full load; ≥ 80% at 264VAC full load
Max power	21 Watts for convection
Adjustment range	fixed
Hold-up time	30 ms at full load and 230 VAC nominal line
OL protection	96% to 104% above peak rating
Ripple & noise	≤ 150mV at rated load
Short current	≤ 80mA at 250 VAC rated load

<b>ISOLATION</b>	
Input to output	AC3.0 KV/10s.
<b>SAFETY APPROVAL</b>	
CCC CE	

<b>ENVIRONMENTAL</b>	
Operating temp.	0 °C to 50 °C ambient derate each output at 4.0% per degree from 50 °C to 60 °C
Storage temp.	- 40 °C to 85 °C
Operating humidity	5% to 95% (non-condensing)
MTBF	100,000 hours at full load and 25 °C ambient conditions (demonstrated)
Size	94 × 45 × 30

Special specification can be provided on customer' s request

**OUTSIDE FRAME DRAWING**



				MATERIAL: PC/ABS				<b>HGPOWER</b>	
								ADPV18	
REVISOR	AMOUNT	CHANGE NUM.	SIGN	DATE	SCALE	MARK	WEIGHT	RATE	
DESIGN	STANDARDIZATION							1:1.5	
CHECK	APPROVE								
	DATE								
TOTAL:							PAGE:		