

Construction

- Current-compensated ring core choke with ferrite core
- Bifilar winding (B82793C...)
- Sector winding (B82793S...)
- Tinned terminals



Features

- Reduced component height
- Case flame-retardant as per UL 94 V-0
- Suitable for reflow soldering

Applications

- B82793C:
Suppression of asymmetrical interference coupled in on lines, whereas data signals up to some MHz can pass unaffectedly
- B82793S:
Suppression of asymmetrical and symmetrical interference coupled in on lines. The high-frequency portions of the symmetrical data signal are decreased so far that EMC problems can be significantly reduced

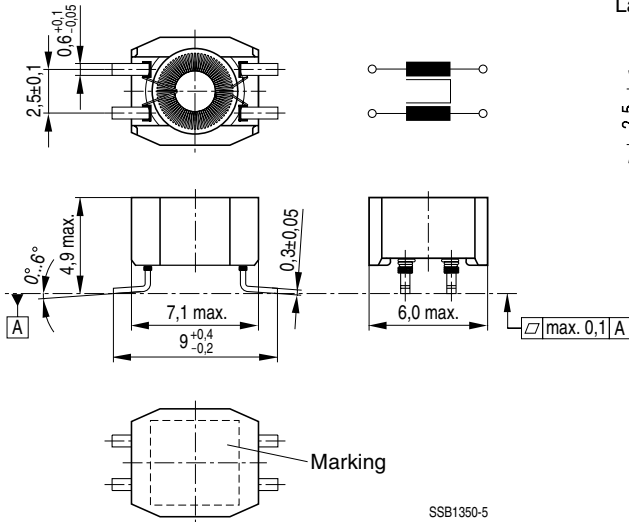
Marking

Manufacturer, ordering code (short form),
date of manufacture, coded (year, day of week, calendar week)

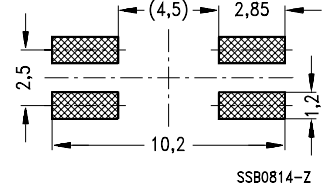
Delivery mode

- 16-mm blister tape, reel packing
- Packing unit: 1500 pcs.

Dimensional drawing



Layout recommendation



SSB1350-5


General technical data

Rated voltage V_R	42 Vac (50/60 Hz) 80 Vdc
Rated current I_R	Referred to 50 Hz and 60 °C ambient temperature
Rated inductance L_R	Measured with HP 4275A Measuring frequency at $L \leq 1 \text{ mH} = 100 \text{ kHz}$, 0,1 mA $L > 1 \text{ mH} = 10 \text{ kHz}$, 0,1 mA (specified per winding)
Inductance tolerance	B82793+****N201/N215: $\pm 30 \%$ B82793+****N265: $-30/+50 \%$
Inductance decrease $\Delta L/L_0$	$< 10 \%$ at dc magnetic bias with I_R
Stray inductance L_S	Measured with HP 4275A Measuring frequency at $L \leq 11 \mu\text{H} = 1 \text{ MHz}$, 5 mA $L > 11 \mu\text{H} = 100 \text{ kHz}$, 5 mA
DC resistance R_{typ}	Typical values, measured at 20 °C ambient temperature
Solderability	(215 ± 3) °C, ($3 \pm 0,3$) s wetting of soldering area $\geq 95 \%$ in accordance with IEC 60068-2-58
Climatic category	40/125/56 ($-40 \text{ °C}/+125 \text{ °C}/56$ days damp heat test) in accordance with IEC 60068-1
Weight	Approx. 0,25 g

Characteristics and ordering codes

L_R mH	L_S , typ nH	I_R ¹⁾ mA	R_{typ} mΩ	V_T Vdc, 2 s	Ordering code
0,005	50	1200	100	250	B82793C0502N201
0,011	50	800	120	250	B82793C0113N201
0,025	1500	800	130	250	B82793S0253N201
0,051	2000	800	160	250	B82793S0513N201
0,470	200	700	200	750	B82793C0474N215
1,0	250	700	200	750	B82793C0105N265
2,2	250	500	400	750	B82793C0225N265
4,7	300	400	550	750	B82793C0475N265

1) Types with higher rated current upon request.

Herausgegeben von EPCOS AG

Unternehmenskommunikation, Postfach 80 17 09, 81617 München, DEUTSCHLAND

☎ ++49 89 636 09, FAX (0 89) 636-2 26 89

© EPCOS AG 2002. Vervielfältigung, Veröffentlichung, Verbreitung und Verwertung dieser Broschüre und ihres Inhalts ohne ausdrückliche Genehmigung der EPCOS AG nicht gestattet.

Bestellungen unterliegen den vom ZVEI empfohlenen Allgemeinen Lieferbedingungen für Erzeugnisse und Leistungen der Elektroindustrie, soweit nichts anderes vereinbart wird.

Diese Broschüre ersetzt die vorige Ausgabe.

Fragen über Technik, Preise und Liefermöglichkeiten richten Sie bitte an den Ihnen nächstgelegenen Vertrieb der EPCOS AG oder an unsere Vertriebsgesellschaften im Ausland. Bauelemente können aufgrund technischer Erfordernisse Gefahrstoffe enthalten. Auskünfte darüber bitten wir unter Angabe des betreffenden Typs ebenfalls über die zuständige Vertriebsgesellschaft einzuholen.

Published by EPCOS AG

Corporate Communications, P.O. Box 80 17 09, 81617 Munich, GERMANY

☎ ++49 89 636 09, FAX (0 89) 636-2 26 89

© EPCOS AG 2002. Reproduction, publication and dissemination of this brochure and the information contained therein without EPCOS' prior express consent is prohibited.

Purchase orders are subject to the General Conditions for the Supply of Products and Services of the Electrical and Electronics Industry recommended by the ZVEI (German Electrical and Electronic Manufacturers' Association), unless otherwise agreed.

This brochure replaces the previous edition.

For questions on technology, prices and delivery please contact the Sales Offices of EPCOS AG or the international Representatives.

Due to technical requirements components may contain dangerous substances. For information on the type in question please also contact one of our Sales Offices.