

CB Series Coupling



8 Shape Flexible Aluminum Alloy Coupling

Features

- Bushings made of high-strength aluminum alloy
- Design for Rotary Encoder
- Good softness, it is not easy to break
- Elastomer made of TPU, Anti-oil, anti-oxidation
- Type-A and Type-B

Dimension

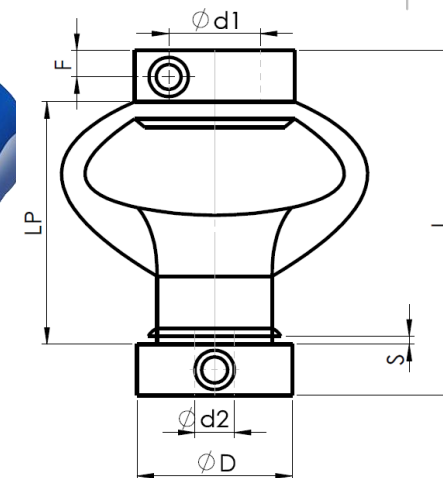
(1) Appearance size (mm)



TYPE-A



TYPE-B



Model	d1/d2 (Bore size)	ϕD	L	LP	S	F	M	Tightening torque (n.m)
CB-15*24 (TYPE-B)	3-4-5-6-6.35-7-8	15	24	20	1.8	2.5	M3	1.2
CB-15*31 (TYPE-A)	3-4-5-6-6.35-7-8	15	31	20	1.8	2.5	M3	1.2
CB-18*28 (TYPE-B)	4-5-6-6.35-7-8-9-10	18	28	25	1.8	3.1	M4	2.5
CB-18*38 (TYPE-A)	4-5-6-6.35-7-8-9-10	18	38	25	1.8	3.1	M4	2.5
CB-25*45 (TYPE-B)	6-6.35-7-8-9-10-12-14-15	25	45	39	1.8	3.8	M4	2.5
CB-25*56 (TYPE-A)	6-6.35-7-8-9-10-12-14-15	25	56	39	1.8	3.8	M4	2.5

CB Series Coupling



(2) Parameters

Model	Rated Torque (N.m)	Allowable eccentricity (mm)	Allowable deflection angle (°)	Allowable axial deviation (mm)	Allowable speed (RPM)	Static torsional stiffness (N.m/rad)	Moment of inertia (N.m)	Material of shaft sleeve	Main material	Surface treatment
CB-15*24	0.5	1	2	±2-5	8000	15	4.5*10 ⁻⁴	High strength aluminum alloy	PU	Anodizing
CB-15*31	0.5	1	2	±2-5	8000	15	4.5*10 ⁻⁴			
CB-18*28	0.8	1	2	±2-5	6000	20	5.6*10 ⁻⁴			
CB-18*38	0.8	1	2	±2-5	6000	20	5.6*10 ⁻⁴			
CB-25*45	1.0	1	2	±2-5	5000	25	7.0*10 ⁻⁴			
CB-25*56	1.0	1	2	±2-5	5000	25	7.0*10 ⁻⁴			

(3) Keyway processing dimensions

Bore size	Standard machining dimension of keyway				dimension of keyway	Standard drawing of keyway processing
	b		t			
d1/d2	Slot width	tolerance	slot depth	tolerance	(bXh)	
φ6-φ7.9	2	±0.0125	1.0	+0.10	2*2	
φ8-φ10	3	±0.0150	1.4		3*3	
φ10.1-φ12	4		1.8		4*4	
φ12.1-φ17	5		2.3		5*5	
φ17.1-φ22	6	±0.0180	2.8	+0.20	6*6	
φ22.1-φ30	8		3.3		8*7	
φ30.1-φ38	10	±0.0215	3.3		10*8	
φ38.1-φ44	12		3.8		12*8	
φ44.1-φ50	14		4.3		14*9	
φ50.1-φ58	16		4.4		16*10	
φ58.1-φ65	18		4.4	4.4	18*11	

CB Series Coupling



■ Contact us

Ji Nan Kesheng Automation Technology Co., Ltd.

Email: zhang@sdkasei.cn

Phone: +86-155-8888-8229

Website: <http://www.sdkasei.cn/>