



SOT-323 Plastic-Encapsulated Diode

DA204U SWITCHING DIODE

FEATURES:

Power dissipation

P_D : 200 mW ($T_{amb}=25^{\circ}C$)

Collector current

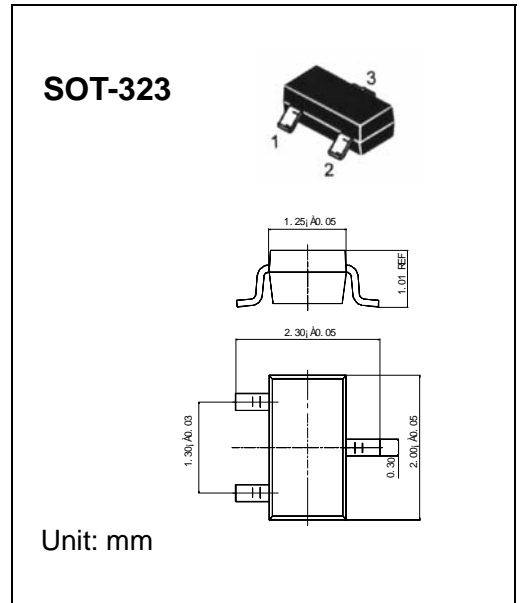
I_F : 100 mA

Collector-base voltage

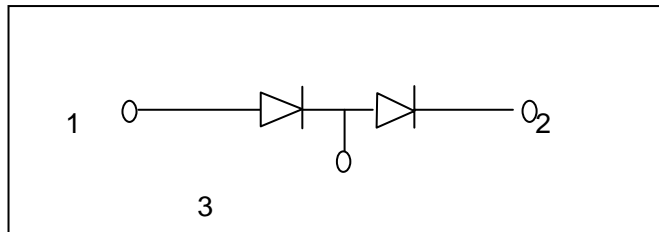
V_R : 20 V

Operating and storage junction temperature range

T_J, T_{stg} : $-55^{\circ}C$ to $+150^{\circ}C$



CIRCUIT:



MARKING: K

ELECTRICAL CHARACTERISTICS ($T_{amb}=25^{\circ}C$ unless otherwise specified)

Parameter	Symbol	Test conditions	MIN	MAX	UNIT
Reverse breakdown voltage	$V_{(BR)}$	$I_R=100\mu A$	20		V
Reverse voltage leakage current	I_R	$V_R=15V$		0.1	μA
Forward voltage	V_F	$I_F=10mA$		1	V