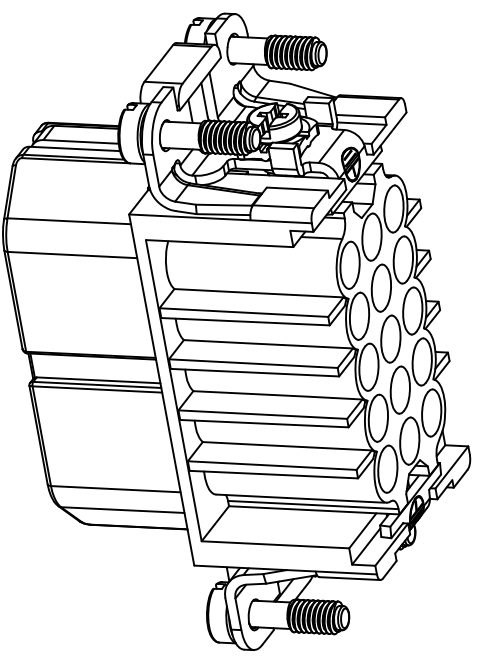
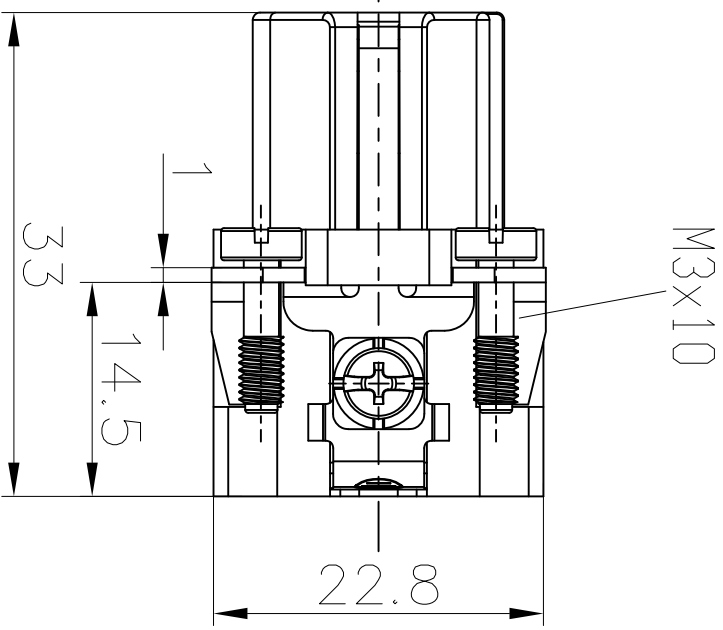
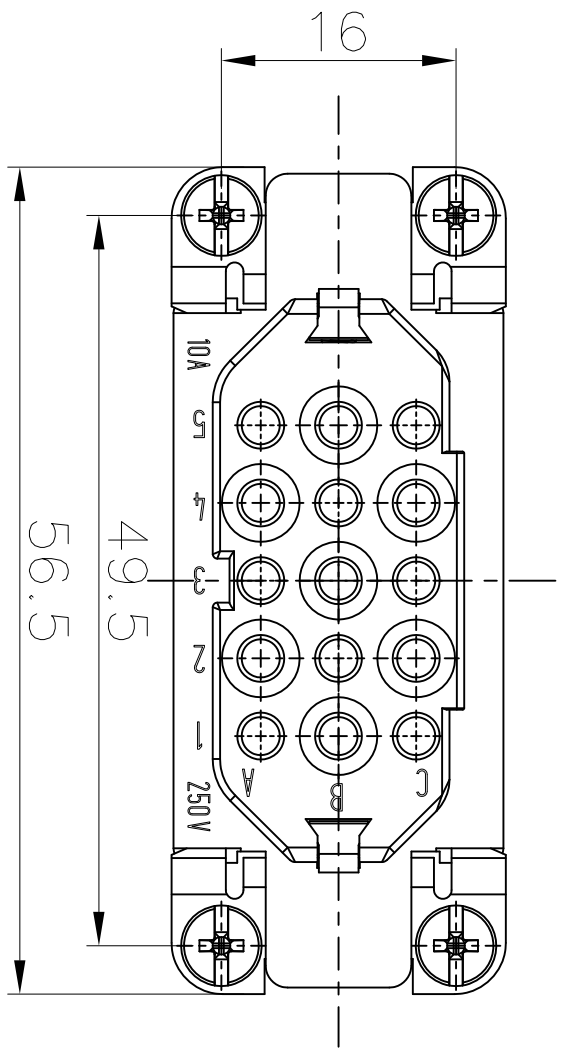


REVISION RECORD				
REV	ECN	DESCRIPTION	DRFT	DATE



A 8
B 7
C 6
D 5
E 4
F 3
G 2
H 1

DETACHED LISTS			
PART NO.:	/	NAME:	DEGSON ® NINGBO DEGSON ELECTRICAL CO., LTD 宁波高松电子有限公司
APPD:		TITLE:	CUSTOMER DRAWING
CHKD:		DRAWING NO.:	/
DRFT:		DO NOT SCALE DRAWING	SCALE
THIRD ANGLE PROJECTION		SCALE	2:1

3 2 1

A

B

C

D

E

F

G

H