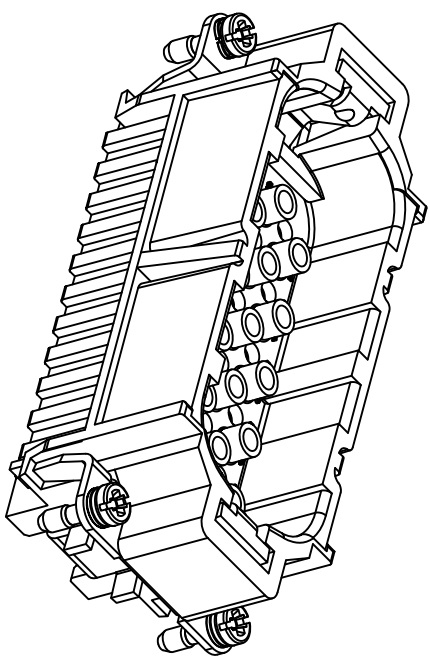
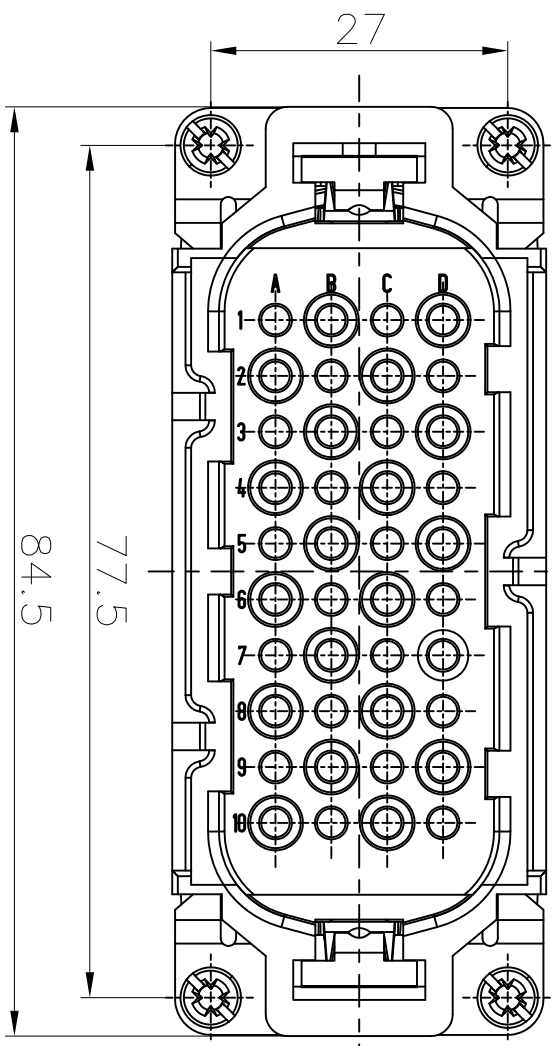
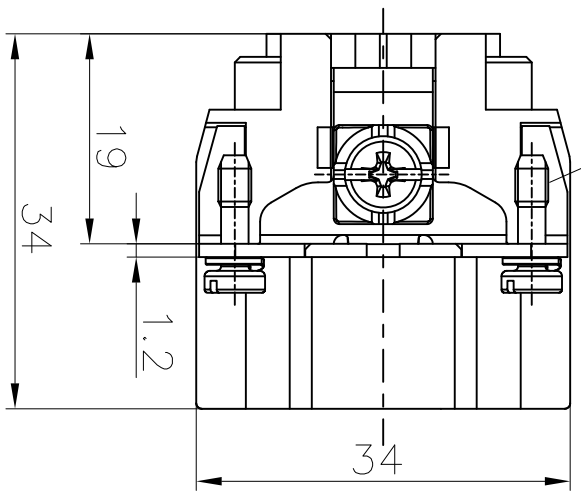


REVISION RECORD				
REV	ECN	DESCRIPTION	DRFT	DATE



A 8

B 7

C 6

D 5

E 4

F 3

G 2

H 1

5

4

3

2

1

DETACHED LISTS			
PART NO.:	/	NAME:	<b>DEGSON</b> ® NINGBO DEGSON ELECTRICAL CO., LTD 宁波高松电子有限公司
APPD:		TITLE:	CUSTOMER DRAWING
CHKD:		DRAWING NO.:	/
DRFT:		DO NOT SCALE DRAWING	SCALE
THIRD ANGLE PROJECTION		1:1 (INCH)	1.5:1
REV	DO	SHEET	1/1

A

B

C

D

E

F

G

H