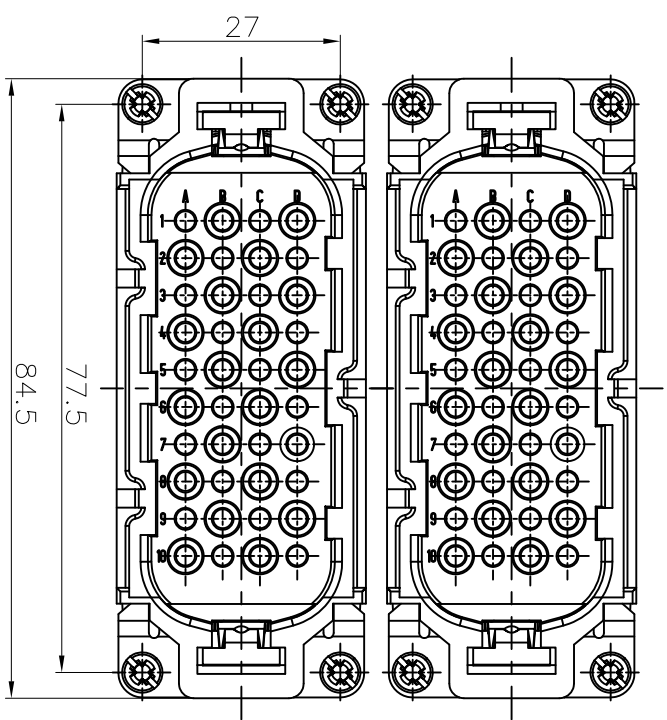
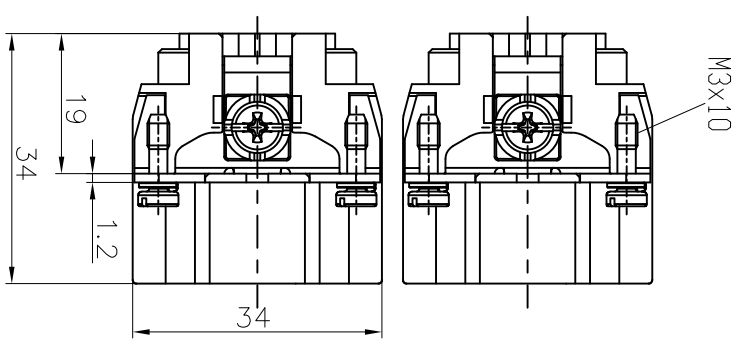
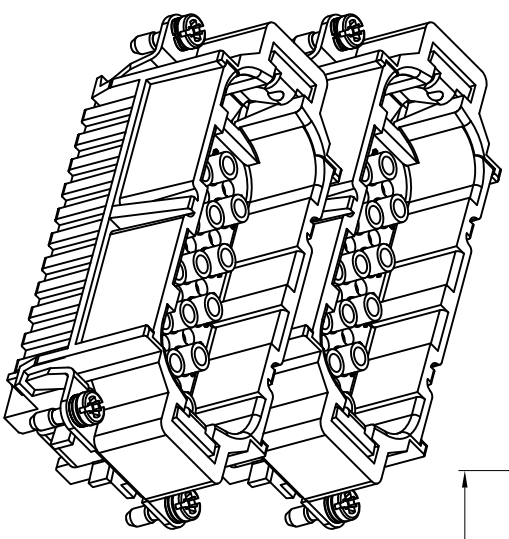


REVISION RECORD				
REV	ECN	DESCRIPTION	DRFT	DATE



DETACHED LISTS			
PART NO.:	/	NAME:	<b>DEGSON</b> ® 宁波高松电子有限公司 NINGBO DEGSON ELECTRICAL CO., LTD
APPD:		DD-080-MC(2X40)	
CHKD:		TITLE: CUSTOMER DRAWING	REV SHEET
DRFT:		DRAWING NO.:	1/1
THIRD ANGLE PROJECTION		DO NOT SCALE DRAWING	SCALE 1:1

A 8 7 6 5 4 3 2 1

B 8 7 6 5 4 3 2 1

C 8 7 6 5 4 3 2 1

D 8 7 6 5 4 3 2 1

E 8 7 6 5 4 3 2 1

F 8 7 6 5 4 3 2 1

G 8 7 6 5 4 3 2 1

H 8 7 6 5 4 3 2 1