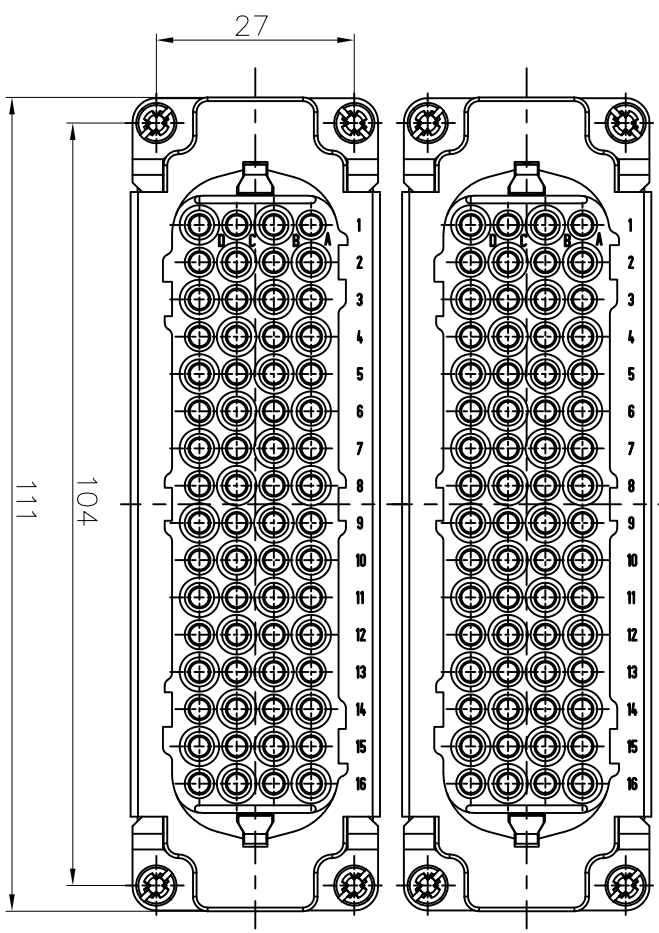
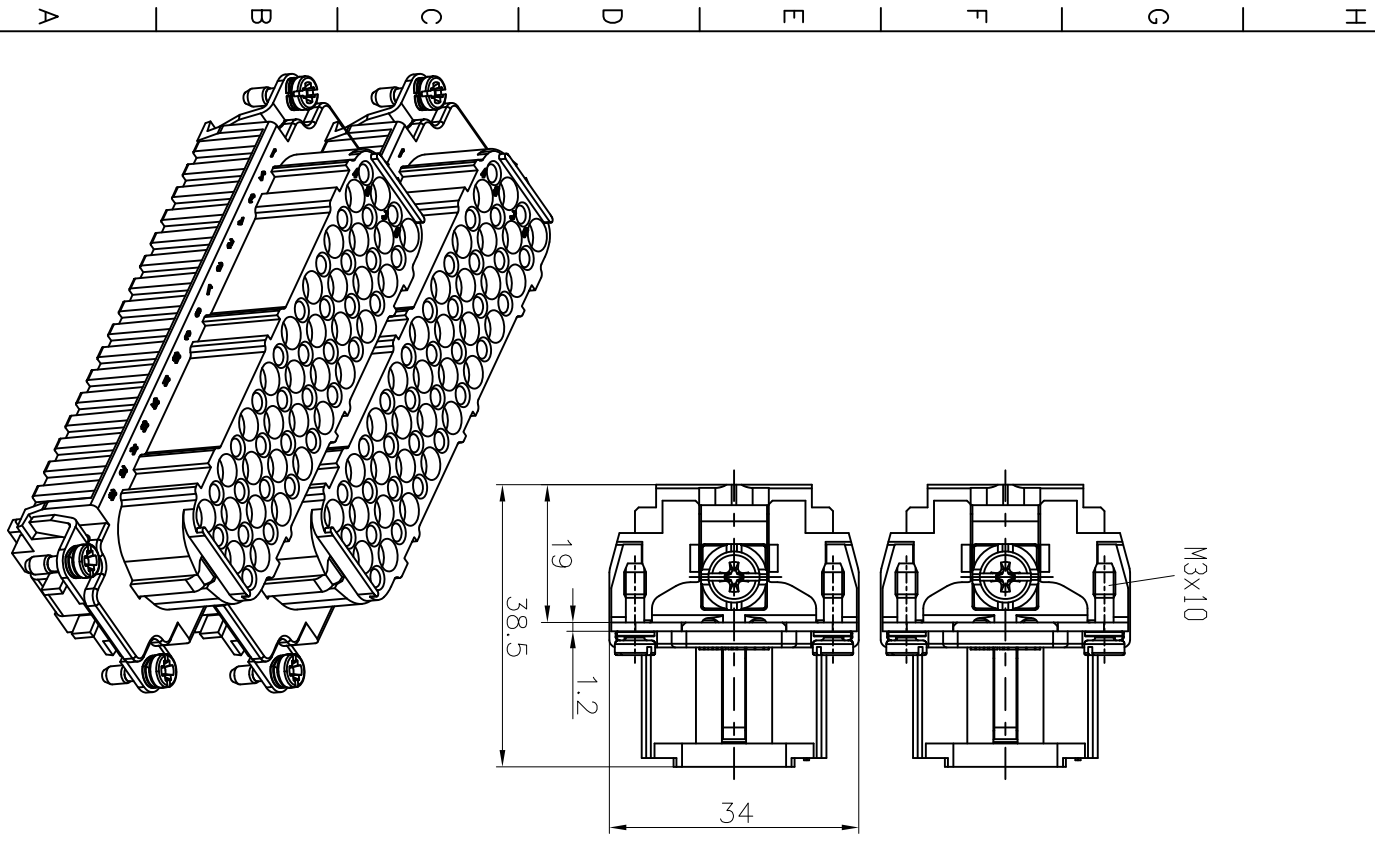


REVISION RECORD				
REV	ECN	DESCRIPTION	DRFT	DATE



DETACHED LISTS			
PART NO.:	/	NAME:	<b>DEGSON</b> ® 宁波高松电子有限公司 NINGBO DEGSON ELECTRICAL CO., LTD
APPD:		DD-128-FC(2X64)	
CHKD:		TITLE: CUSTOMER DRAWING	REV DO
DRFT:		DRAWING NO.:	SHEET 1/1
		THIRD ANGLE PROJECTION	SCALE 1:1
		DO NOT SCALE DRAWING	

A 8 7 6 5 4 3 2 1