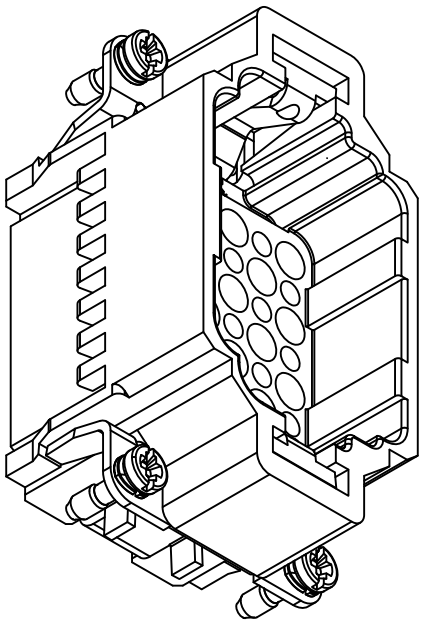
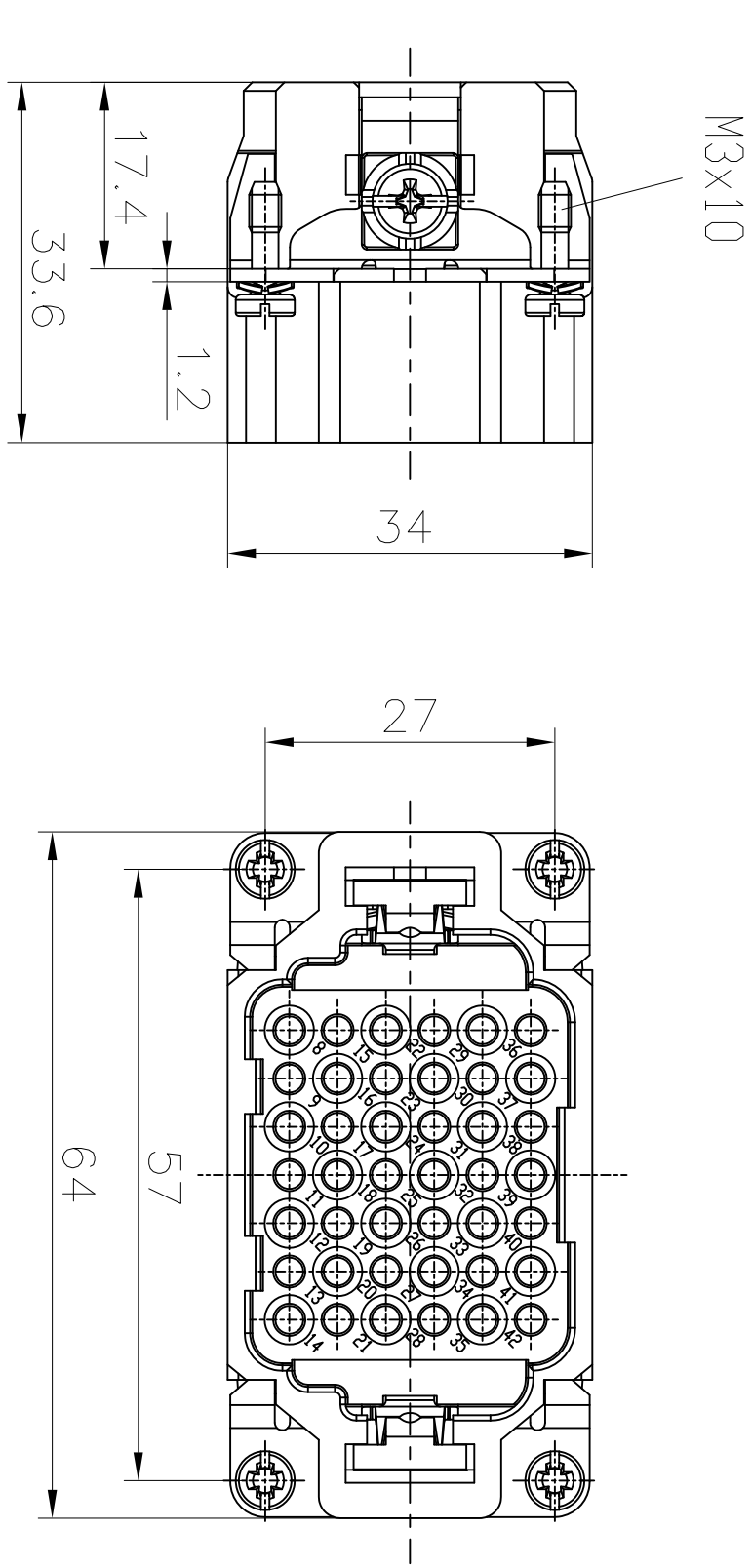


REVISION RECORD				
REV	ECN	DESCRIPTION	DRFT	DATE



DETACHED LISTS			
PART NO.:	/	NAME:	DEGSON ® NINGBO DEGSON ELECTRICAL CO., LTD 宁波高松电子有限公司
APPD:		TITLE:	CUSTOMER DRAWING
CHKD:		DRAWING NO.:	/
DRFT:		DO NOT SCALE DRAWING	SCALE
THIRD ANGLE PROJECTION		1:1 (INCH)	1.5:1

A 8 7 6 5 4 3 2 1

B C D E F G H