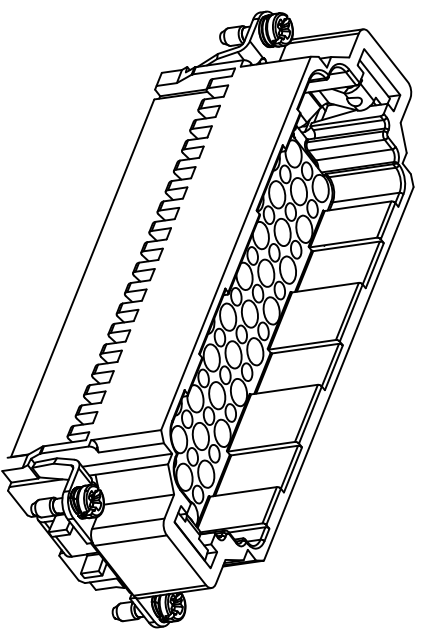
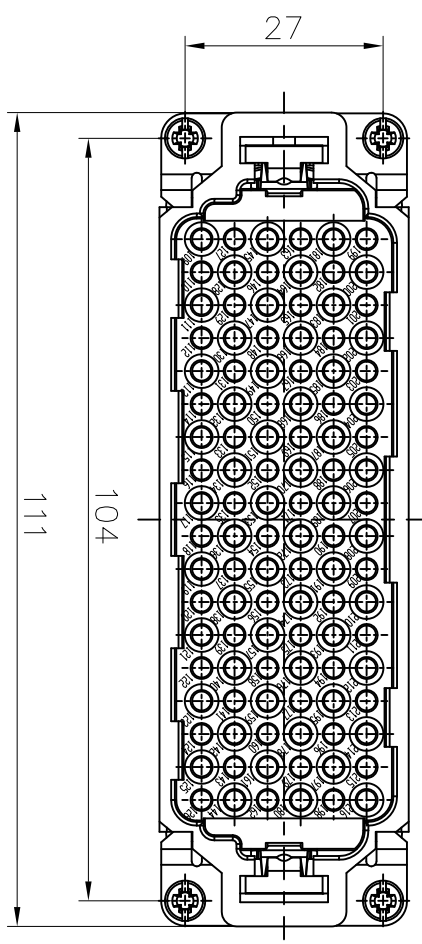
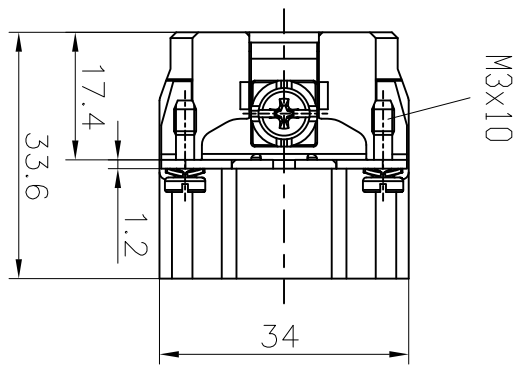


REVISION RECORD				
REV	ECN	DESCRIPTION	DRFT	DATE



DETACHED LISTS			
PART NO.:	/	NAME:	<b>DEGSON</b> ® NINGBO DEGSON ELECTRICAL CO., LTD 宁波高松电子有限公司
APPD:		DDD-216-MC(109-216)	
CHKD:		TITLE: CUSTOMER DRAWING	REV DO
DRFT:		DRAWING NO.:	SHEET 1/1
THIRD ANGLE PROJECTION		DO NOT SCALE DRAWING	SCALE 1:1

