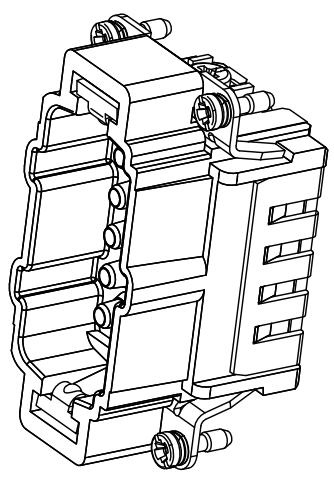
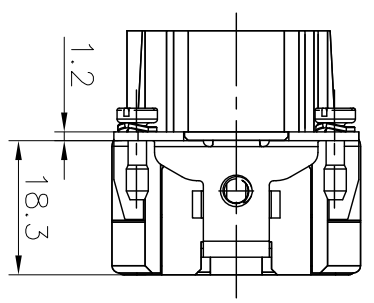
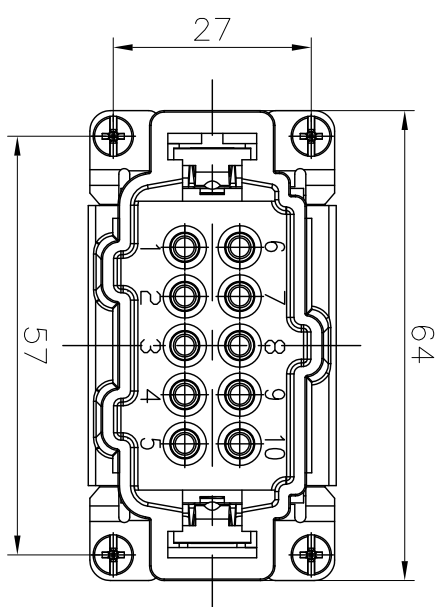
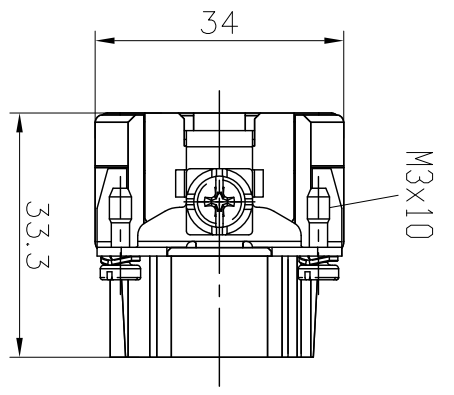


REVISION RECORD				
REV	ECN	DESCRIPTION	DRFT	DATE



A 8

B 7

C 6

D 5

E 4

F 3

G 2

H 1

3

2

1

A

B

C

D

E

F

G

H

DETACHED LISTS			
PART NO.:	/	NAME:	DEGSON ® 宁波高松电子有限公司 NINGBO DEGSON ELECTRICAL CO., LTD
APPD:		TITLE:	CUSTOMER DRAWING
CHKD:		DRAWING NO.:	/
DRFT:		DO NOT SCALE DRAWING	SCALE
		REV	DO
		SHEET	1/1
		SCALE	1:1

