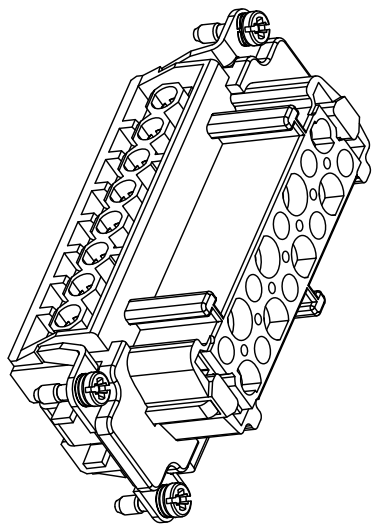
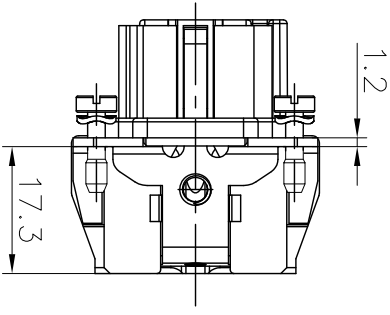
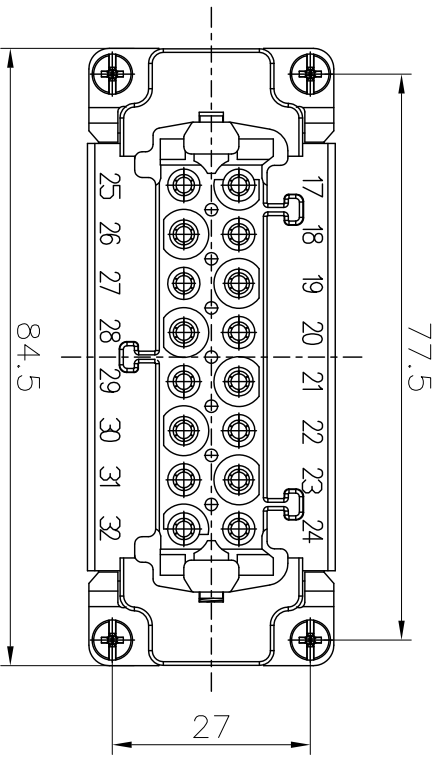
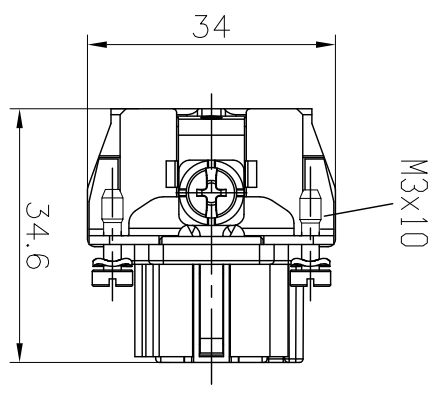


REVISION RECORD				
REV	ECN	DESCRIPTION	DRFT	DATE



DETACHED LISTS			
PART NO.:	/	NAME:	DEGSON 宁波高松电子有限公司 NINGBO DEGSON ELECTRICAL CO., LTD
APPD:		TITLE:	CUSTOMER DRAWING
CHKD:		DRAWING NO.:	/
DRFT:		DO NOT SCALE DRAWING	SCALE
		THIRD ANGLE PROJECTION	SCALE
			1:1

A 8 7 6 5 4 3 2 1

B C D E F G H