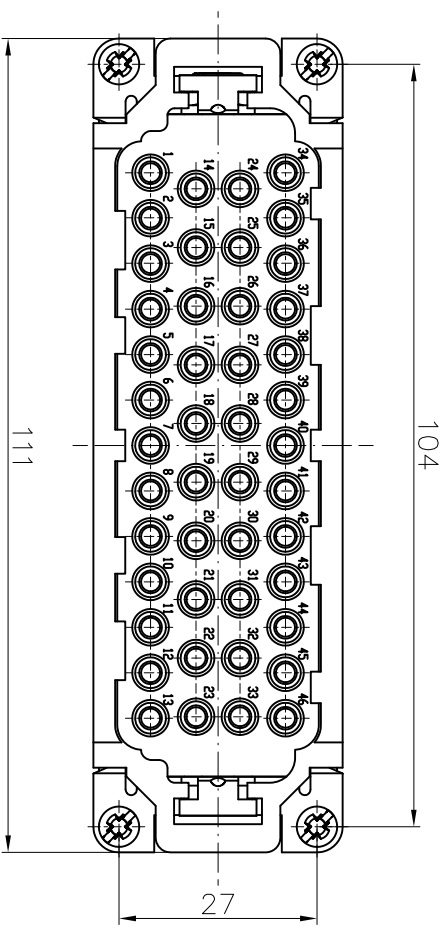
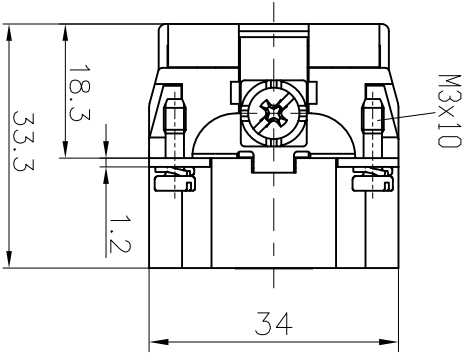
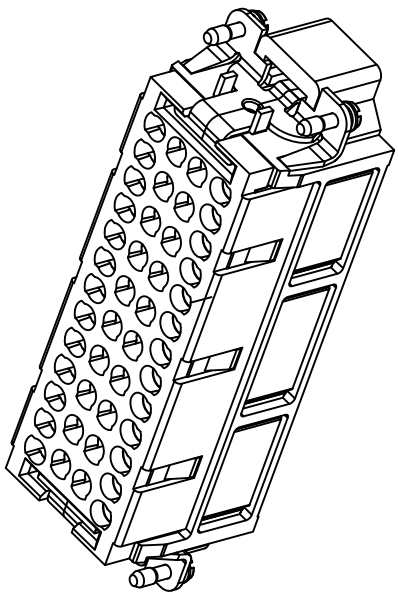


REVISION RECORD				
REV	ECN	DESCRIPTION	DRFT	DATE



A B C D E F G H

8

7

6

5

4

3

2

1

DETACHED LISTS	
PART NO.:	/
APPD:	
CHKD:	
DRFT:	
THIRD ANGLE PROJECTION	
NAME:	DEGSON 宁波高松电子有限公司 NINGBO DEGSON ELECTRICAL CO., LTD
TITLE:	CUSTOMER DRAWING
DRAWING NO.:	/
DO NOT SCALE DRAWING	
REV	DO
SHEET	1/1
SCALE	1:1

A B C D E F G H