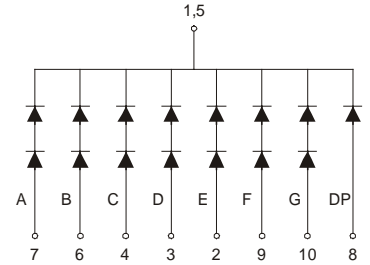
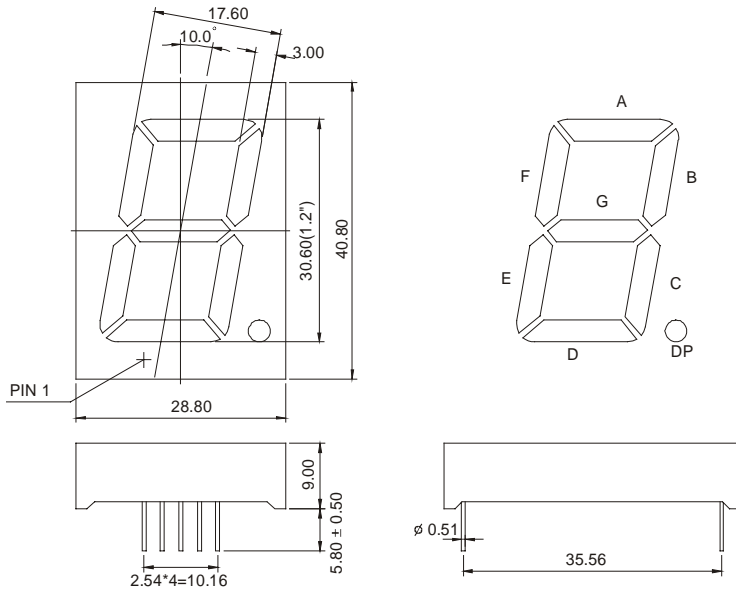


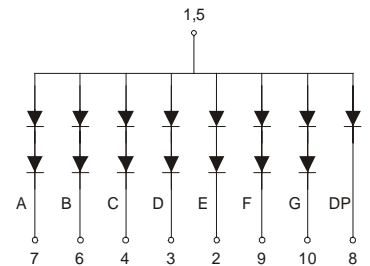
## GNS-12011Ax-Bx (SINGLE DIGIT LED DISPLAY)

### GNS-12011 Series

### GNS-12011Ax



### GNS-12011Bx



### Features:

\*1.2 INCH HIGH CHARACTER.

\*EXCELLENT CHARACTER APPEARANCE.

\*COMMON CATHODE OR COMMON ANODE.

\*I.C. COMPATIBLE

\*LOW POWER CONSUMPTION.

Part Number	EMITTED COLOR		Common Cathode or Common Anode	Peak Wavelength (nm)	Vf (v) Typ	If (mA)	Intensity Per Segment (mcd)	
							Min.	Typ.
GNS-12011AE	GaAsP/GaP	Hi.effi Red	Common Cathode	635	2.0	20	18	24
GNS-12011AG	GaP	Green		565	2.1	20	16	22
GNS-12011AY	GaAsP/GaP	Yellow		585	2.0	20	18	24
GNS-12011AS	GaAlAs	Super Red		660	1.8	20	20	26
GNS-12011AD	GaAlAs	Ultrs Red		660	1.8	20	50	60
GNS-12011AUE	AlGalnP	Ultra Red		625	2.0	20	60	70
GNS-12011AUY	AlGalnP	Ultra Yellow		590	2.0	20	60	70
GNS-12011BE	GaAsP/GaP	Hi.effi Red		Common Anode	635	2.0	20	18
GNS-12011BG	Gap	Green	565		2.1	20	16	22
GNS-12011BY	GaAsP/GaP	Yellow	585		2.0	20	18	24
GNS-12011BS	GaAlAs	Super Red	660		1.8	20	20	26
GNS-12011BD	GaAlAs	Ultrs Red	660		1.8	20	50	60
GNS-12011BUE	AlGalnP	Ultra Red	625		2.0	20	60	70
GNS-12011BUY	AlGalnP	Ultra Yellow	590		2.0	20	60	70