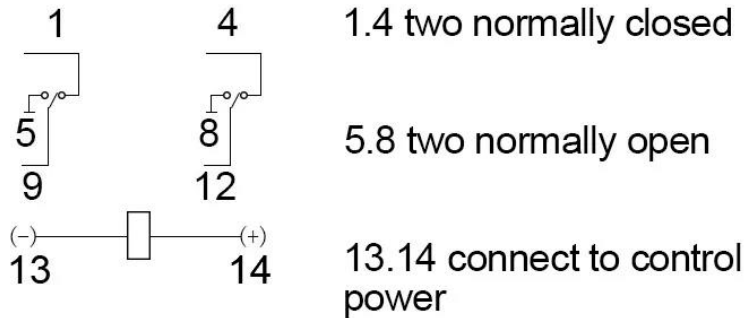
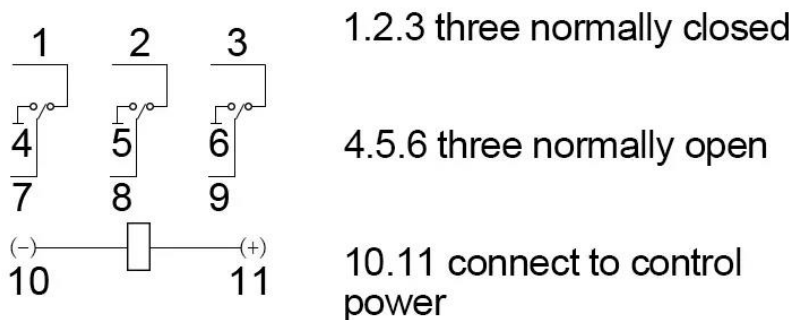


Connection mode

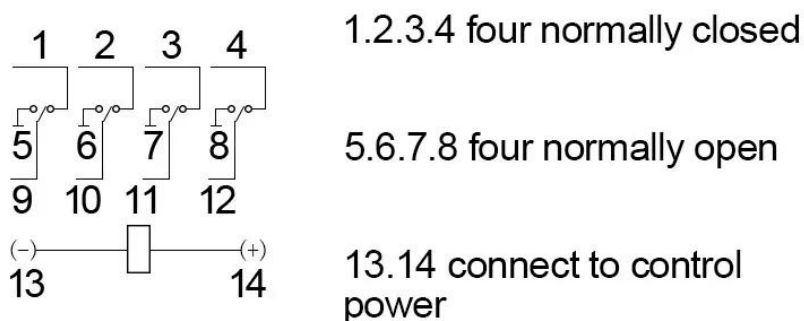
HH52P MY2



HH53P MY3



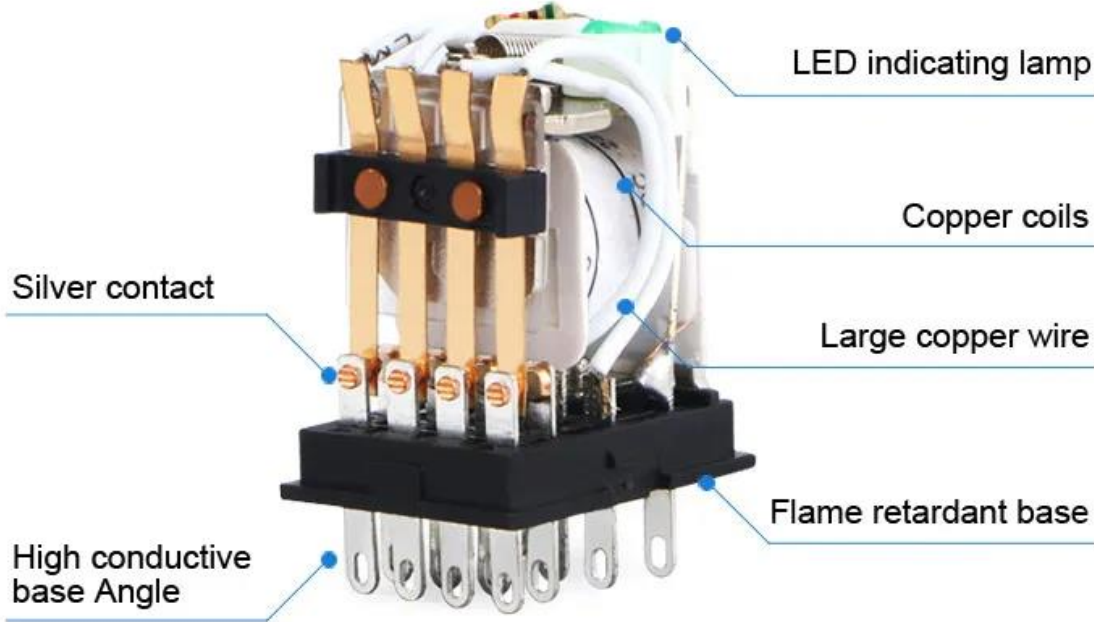
HH54P MY4

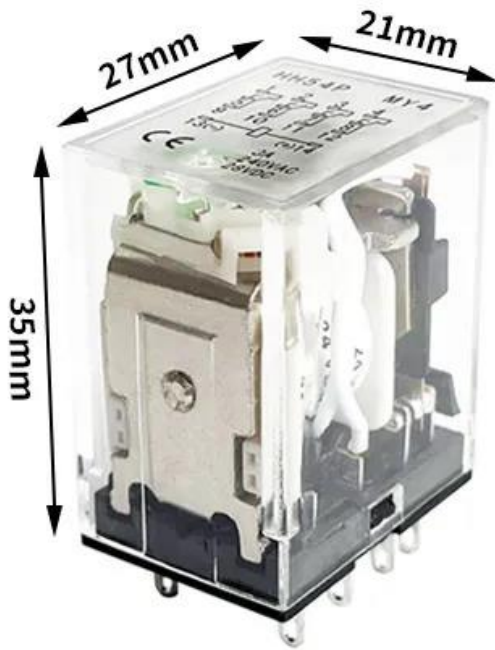


When the control power supply has no input, the coil does not work, the normally open contact is disconnected, and the normally closed contact is connected.

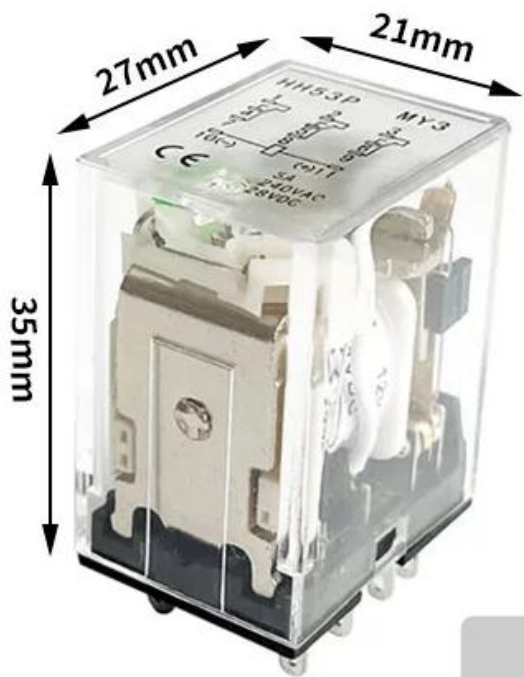
When the control power supply is input, the coil is closed, the normally closed contact is disconnected, and the normally open contact is connected.

The dc power indicator is green,
and the AC power indicator is red,
You can purchase the indicator as required



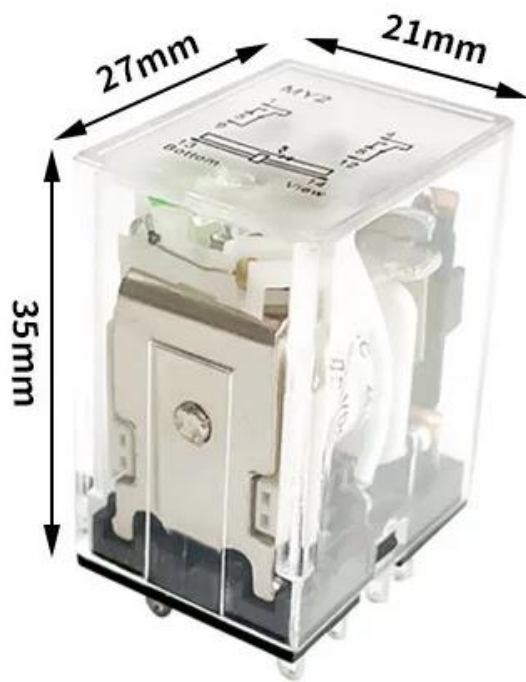


Name	Miniature relay
Model	HH54P MY4
Contact form	4 open 4 closed
Rated current	3A
Rated voltage	AC240V/DC28V
Touch the feet	14 Feet
Contact materials	Silver contact



Name	Miniature relay
Model	HH53P MY3
Contact form	3 open 3 closed
Rated current	5A
Rated voltage	AC240V/DC28V
Touch the feet	11 Feet
Contact materials	Silver contact

FnLock



Name	Miniature relay
Model	HH52P MY2
Contact form	2 open 2 closed
Rated current	5A
Rated voltage	AC240V/DC28V
Touch the feet	8 Feet
Contact materials	Silver contact