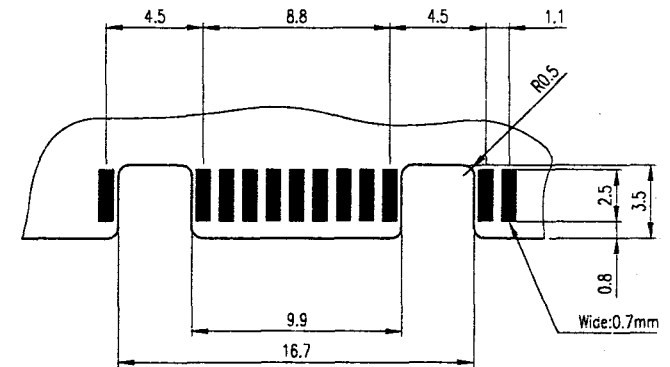
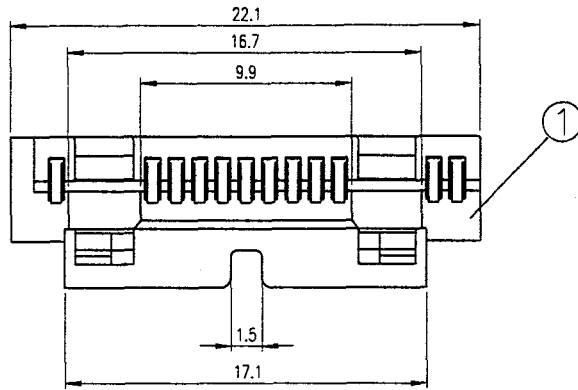
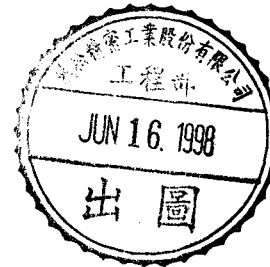


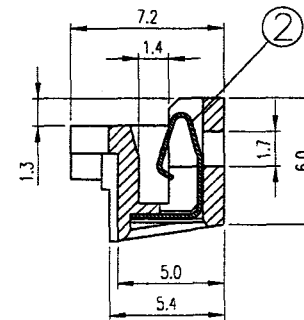
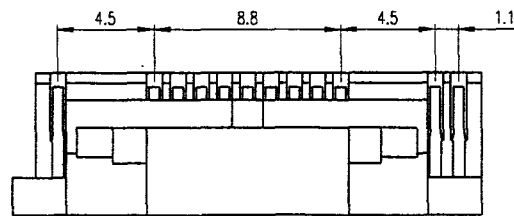
ITEM	PART NUMBER	PART NAME	QTY	MATERIAL
1	11-0003-070	070 Plastic Body	1	Aromatic Polyesters resin
2	22-1002-070	070 Contact	12	Phosphor Bronze

Note:

PITCH OF CONTACT: 1.1 mm



THICKNESS: 1.25 mm



△			
△			
△			
△			

REVISIONS ECN NO. DATE

UNITS: mm	GENERAL TOLERANCE	DR: M.T.Lee	PART NO: HO-070BC10100
SCALE: /	X ±0.30 X* ±3* X ±0.20 X* ±2* .XX ±0.10 .XX* ±1*	CHKD: <i>jaso</i>	TITLE: 738 IN-PHONE Assembly
DATE: 16-JUN-98	MAT'L	APPD: <i>[Signature]</i>	DWG. NO: ASS-00
SHEET: 1 OF 1	FINISH	REV. A	
CAD NO. C:\APT\ASS\070	REV. A	L&K L & K PRECISION INDUSTRY CO., LTD.	