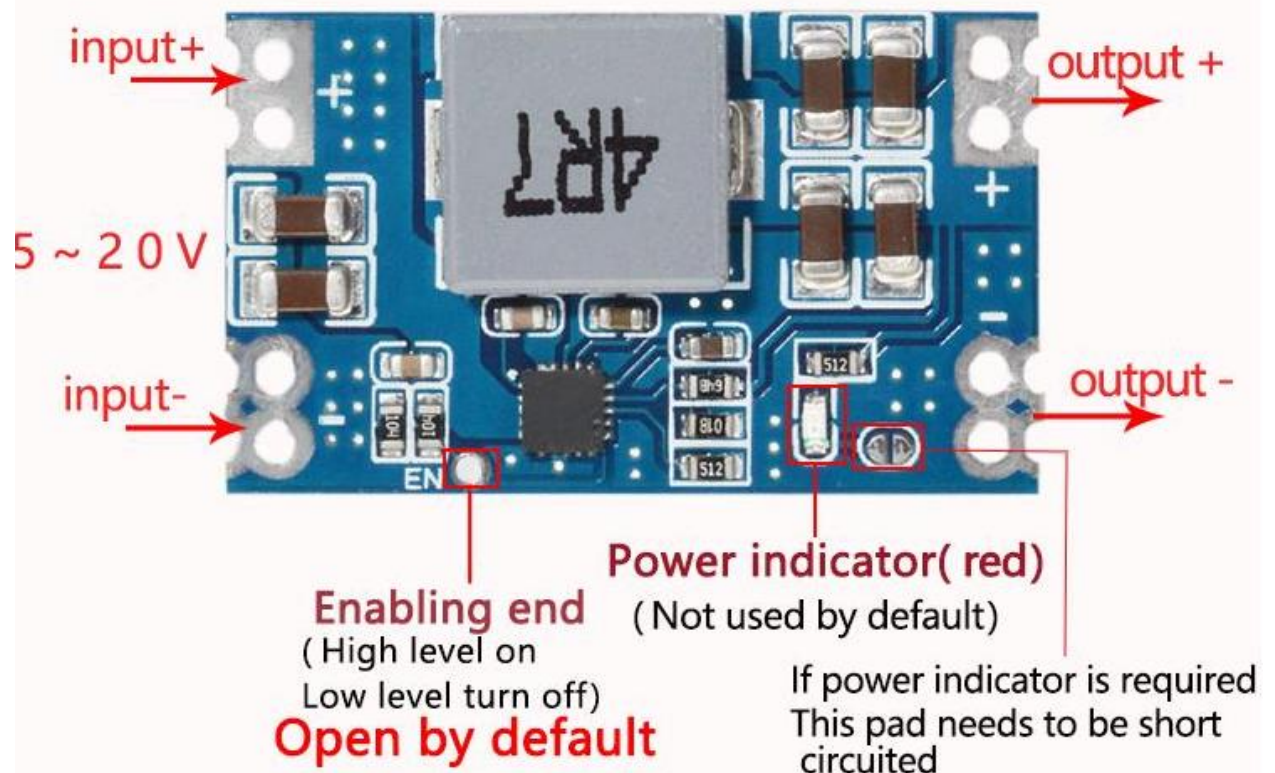


Model Name	Mini560 (MINI DC-DC step-down module)			
Version	3.3V	5V	9V	12V
Output voltage	3.3V	5V	9V	12V
Input voltage	5V-20V	7V-20V	11V-20V	14V-20V
Output current	<5A	<5A	<4A	<4A
	Long-distance > 4A requires heat dissipation		Long-distance > 3A requires heat dissipation	
Differential pressure	>1.7V	>2V	>2V	>2V
Operating frequency	500KHz			
Conversion efficiency	99%(MAX)			
Operating temperature	-40°C to +85°C			
External dimensions	29*18*5.4 (L*W*H) (mm)			
Module nature	Non-isolated buck			
Rectification method	Synchronous rectification			

Pin definition



Dimensional drawing

