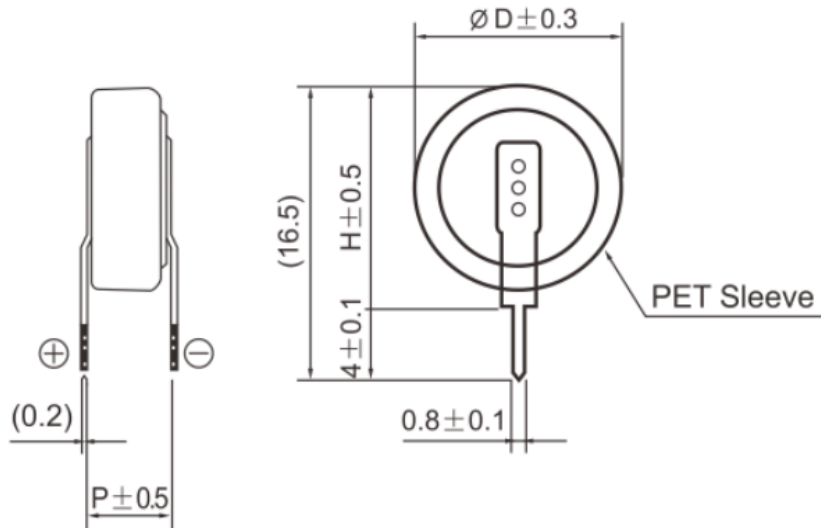


V-TYPE



| Part number  | Operating voltage (V) | Capacitance (F) | ESR ( $\Omega$ , @1kHz) | V type(mm) |      |     | H type(mm) |     |      | C type(mm) |     |     |
|--------------|-----------------------|-----------------|-------------------------|------------|------|-----|------------|-----|------|------------|-----|-----|
|              |                       |                 |                         | $\phi D$   | H    | P   | $\phi D$   | H   | P    | $\phi D$   | H   | P   |
| DCS 5R5 473  | 5.5                   | 0.047           | $\leq 120$              | 11.5       | 12.5 | 5.0 | 11.5       | 5.5 | 10.0 | 13.5       | 7.0 | 5.0 |
| DCS 5R5 104  |                       | 0.10            | $\leq 75$               | 11.5       | 12.5 | 5.0 | 11.5       | 5.5 | 10.0 | 13.5       | 7.0 | 5.0 |
| DCS 5R5 224  |                       | 0.22            | $\leq 75$               | 11.5       | 12.5 | 5.0 | 11.5       | 5.5 | 10.0 | 13.5       | 7.0 | 5.0 |
| DCS 5R5 334  |                       | 0.33            | $\leq 50$               | 11.5       | 12.5 | 5.0 | 11.5       | 5.5 | 10.0 | 13.5       | 7.0 | 5.0 |
| DCS 5R5 474  |                       | 0.47            | $\leq 50$               | 11.5       | 12.5 | 5.0 | 11.5       | 5.5 | 10.0 | 13.5       | 7.0 | 5.0 |
| DCST 3R6 224 | 3.6                   | 0.22            | $\leq 75$               | 11.5       | 12.5 | 5.0 | 11.5       | 5.5 | 10.0 | 13.5       | 7.0 | 5.0 |
| DCST 3R6 334 |                       | 0.33            | $\leq 50$               | 11.5       | 12.5 | 5.0 | 11.5       | 5.5 | 10.0 | 13.5       | 7.0 | 5.0 |

\*Auto-insertionable taping type packing available(See DA Series A-Type)

\*DCST Series is designed for higher temperature application upto 85°C

