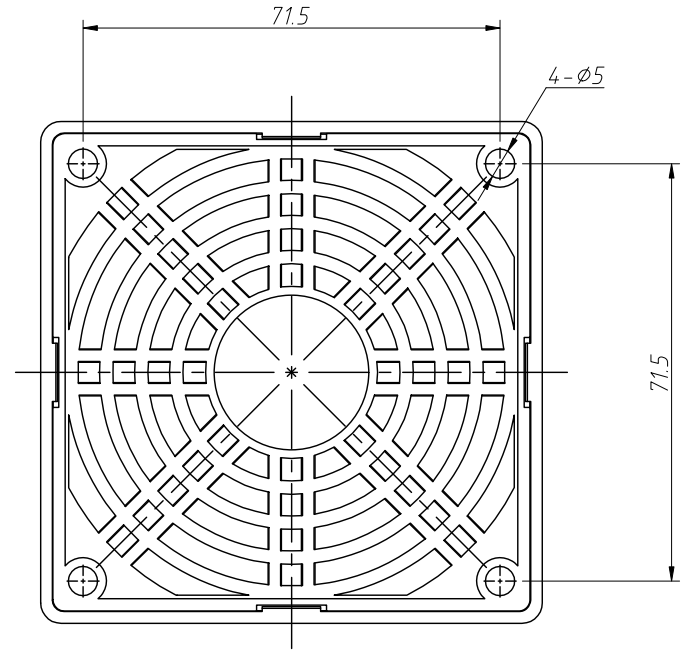
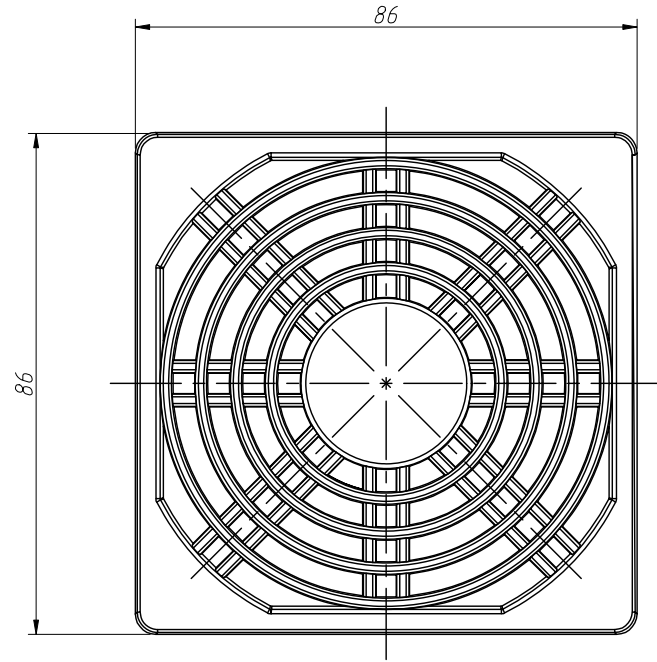


1 RoHS Compliance


REV	SYM	Revision Record	Appr.	Date
V0	KLS31017	New Version Release	SONG	2024-12-10

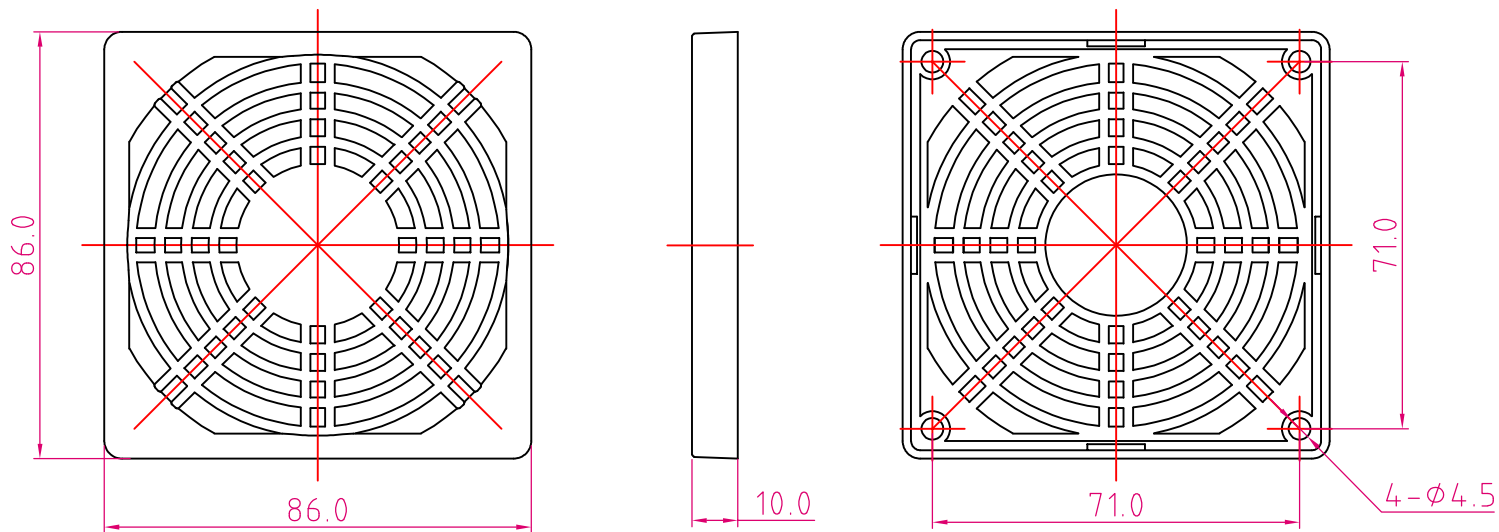


new mold
below old mold will never be used

Material
Mesh Material: Flame-Resistant ABS Resin
Filter Material: Nylon Fiber Synthetic Resin
Main Color: Black, White

Electrical Parameter
Temp. Range: Indoor $-10^{\circ}\text{C} \sim +55^{\circ}\text{C}$
Vacuum rate: 89%
Protection level: IP40

ANGLE TOLERANCE	PROJECTION	Description:		
$\pm 3^{\circ}$			Finger Guard 80MM Plastic	
GENERAL TOLERANCE	UNITS	mm	KLS P/N: L-KLS22-PG-0080-00	
.x ± 0.30	SHEET SIZE	A4	 NingBo KLS ELECTRONIC CO.,LTD.	
.xx ± 0.20	Draw:	SONG		2024-12-10
.xxx ± 0.10	Check:	Daniel		2024-12-10



old mold, the hole size is 4.5