

KSA-4

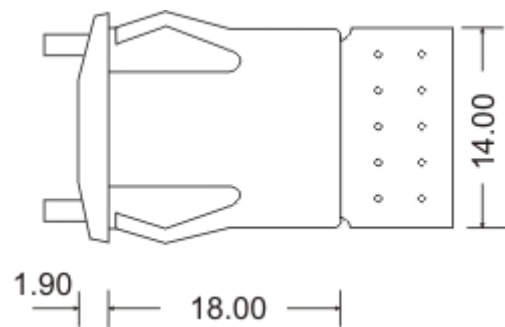
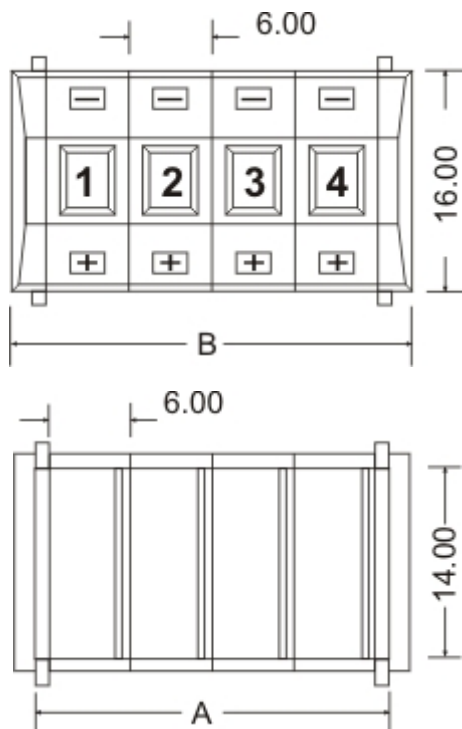


KSA-4

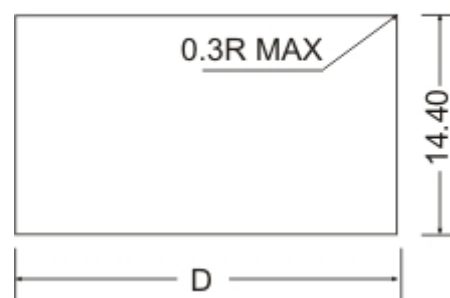
RATING/CHARACTERISTICS

Switching Capacity	DC5~DC28V 1mA~0.1A
Carry current	100mA
Contact Resistance	200mOhm max.
Insulation Resistance	10MOhm min.(At 250VDC) between nonconnected terminals 100MOhm min.(At250VDC) between each terminal and noncurrent-carrying part
Vibration	10 to 55Hz, 1.5mm
Shock	490m/s (approx.50g6ns)
Ambient Temperature	Operating:-10to+65°C Storage:-20to+80°C
Humidity	45 to 85%RH max.
Service life	Mechanically: 30,000 operations(steps)min. Electrically: 20,000 operations (steps)min.

DIMENSIONS



Panel cutout



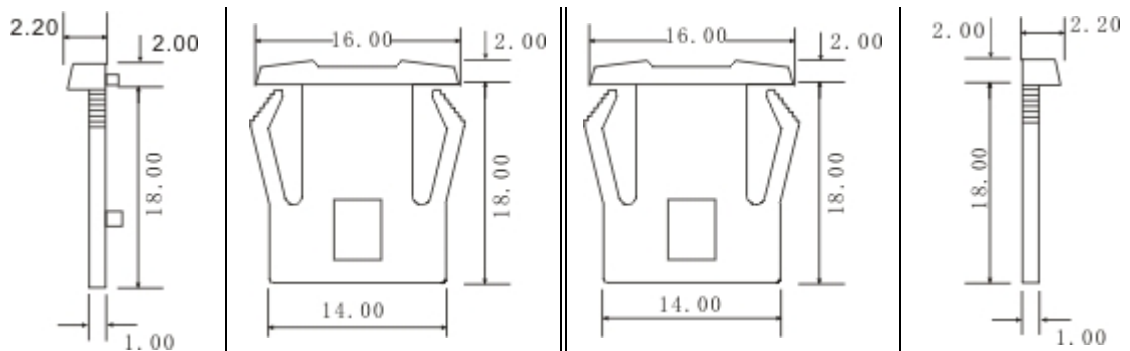
No of units (N)	A (Nx6+6)	B (Nx6+8)	D
1	8	10.4	8.4
2	14	16.4	14.4
3	20	22.4	20.4
4	26	28.4	26.4
5	32 ⁶ ±0.8	34.4 ⁶ ±0.8	32.8
6	38 ⁶ ±0.8	40.4 ⁶ ±0.8	38.8
7	44 ⁶ ±0.8	46.4 ⁶ ±0.8	44.8
8	50 ⁶ ±0.8	52.4 ⁶ ±0.8	50.8
9	56 ⁶ ±0.8	58.4 ⁶ ±0.8	56.8
10	62 ⁶ ±0.8	64.4 ⁶ ±0.8	62.8

END CAPS (1PAIR)

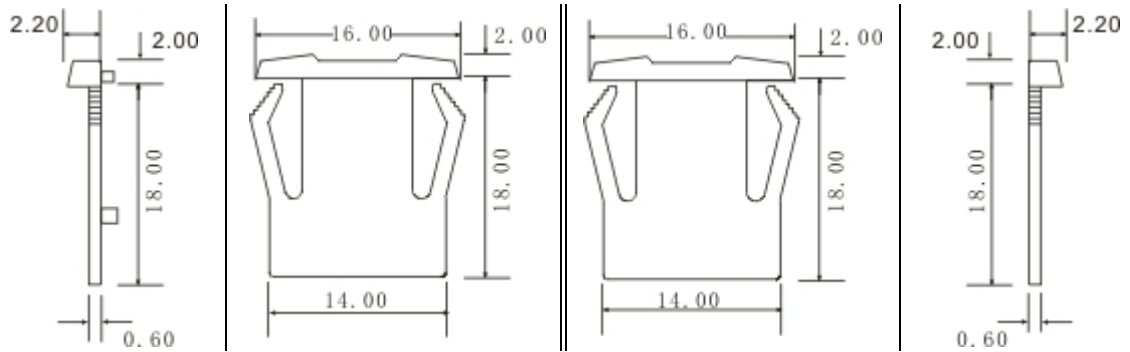
Left

Right

KSA-4/01

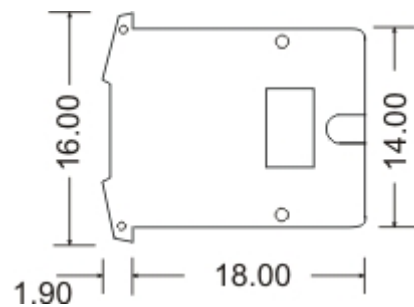
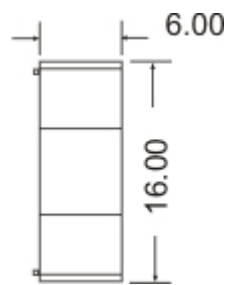


KSA-4/02



SPACERS

SNAOP-IN THE MOUNTNG PLATE



OUTPUT CODES

BCD 0-9; 1-2-4-8-10
POSITION

DECIMAL-1 POLE; 10 POSITION

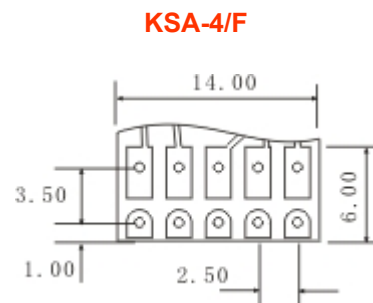
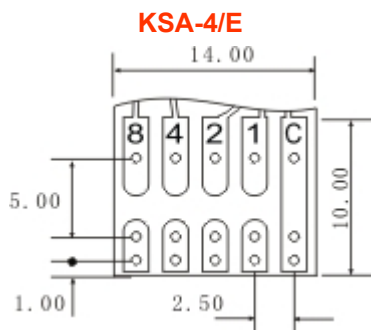
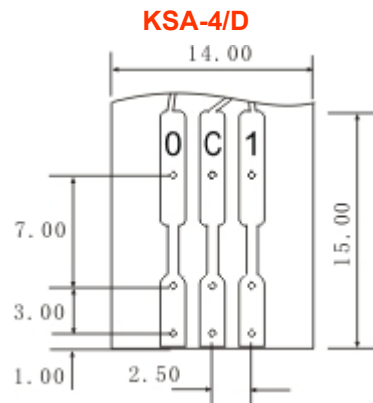
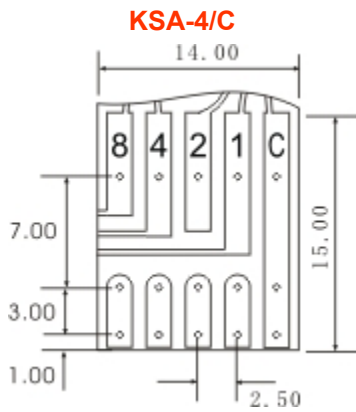
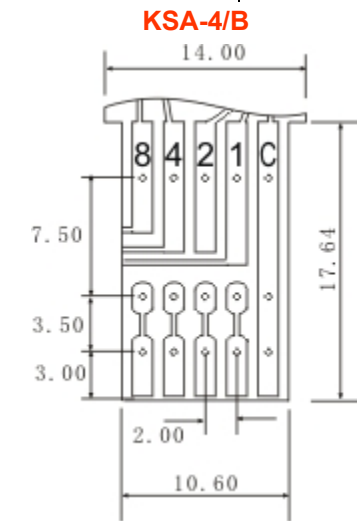
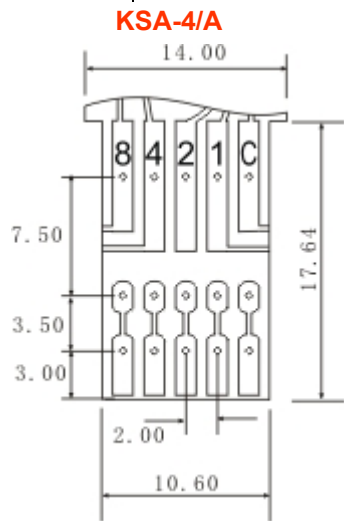
SPDT REPEATING; 10
POSITION

Dial Position	Common C Connected to Terminals = ●			
	C	1	2	4 8
0	●			
1	●	●		
2	●		●	
3	●	●	●	
4	●			●
5	●	●		●
6	●		●	●
7	●	●	●	●
8	●			●
9	●	●		●

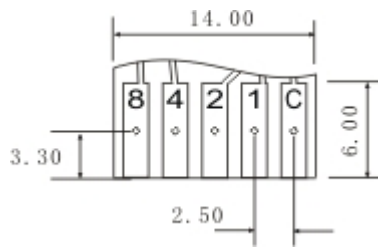
Dial Position	Common C Connected to Terminals = ●										
	C	0	1	2	3	4	5	6	7	8	9
0	●	●									
1	●		●								
2	●			●							
3	●				●						
4	●					●					
5	●						●				
6	●							●			
7	●								●		
8	●									●	
9	●										●

Dial Position	Common C Connected to Terminals = ●	
	C	+ -
+	●	●
-	●	●
+	●	●
-	●	●
+	●	●
-	●	●
+	●	●
-	●	●
+	●	●
-	●	●

TERMINALS

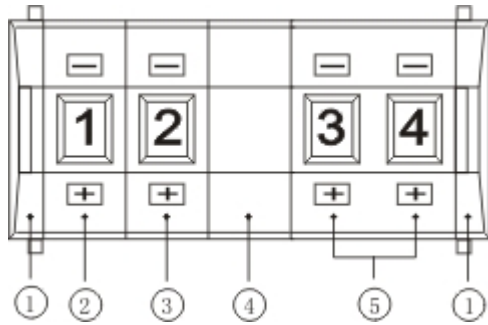


KSA-4/G



ORDERING INFORMATION

When placing your order ,specify the desired type and the required quantity using the example below as reference.



- ① KSA-4(mounting plate).....One pair
- ② KSA-4(Switch unit stopper pins)..... 1
- ③ KSA-4(switch unit).....1
- ④ KSA-4(spacer).....1
- ⑤ KSA-4(switch unit).....2

NOTE: The switch unit,mounting plate,etc.,of standard products are not factory-assembled for shipment.Consult WANDA on how to order assembled products.

NOTE: ALL DIMENSIONS SHOWN IN THIS CATALOG ARE IN UNITS OF MILLIMETERS.