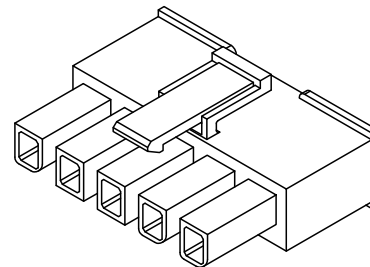
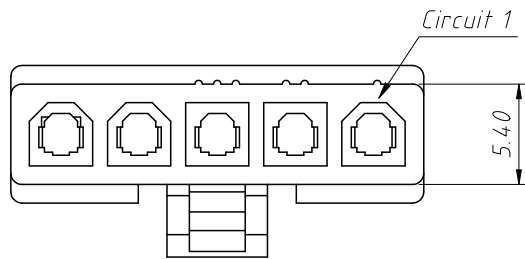


RoHS Compliance

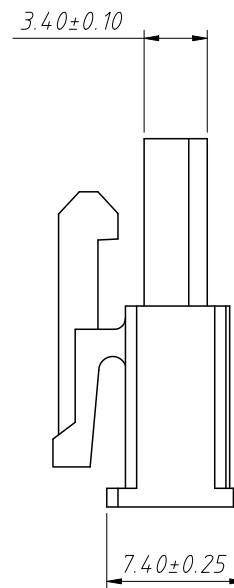
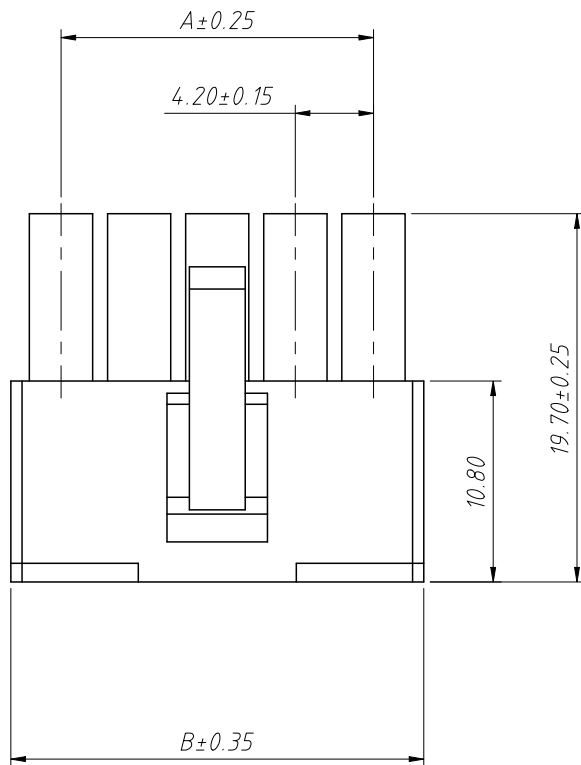


Pin	Dimensions(mm)	
	A	B
02	4.20	9.60
03	8.40	13.80
04	12.60	18.00
05	16.80	22.20
06	21.00	26.40

Material:
Housing:PA66,UL 94 V-0/2

Electrical Characteristics:
Rated Current:7.0A AC,DC
Voltage rating:600V AC,DC
Temperature range:-25°C ~ + 85°C
Insulator Resistance:1000MΩ Min
Withstanding Voltage:1500V AC/minute
Contact Resistance:20mΩ Max

Order Information:
L-KLS1-4.20-1×02-MH
 L: RoHS
 Pitch:4.20mm
 Pins:
 1-Single layer
 2-Double layer
 No. of 02~06 pins
 Type:
 MH / FH -Hosing
 MT / FT-Terminal
 W1-Without ear

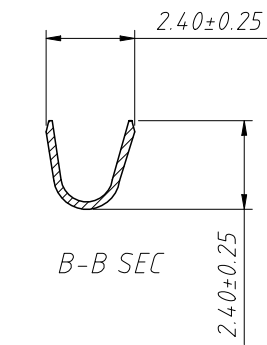
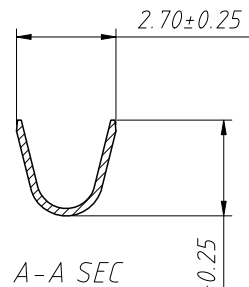
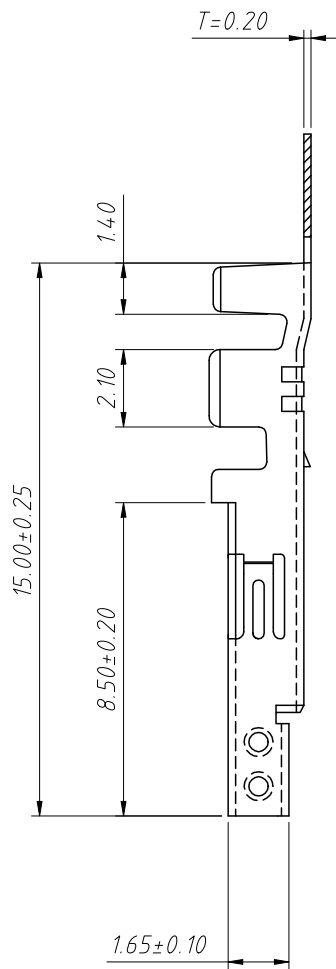
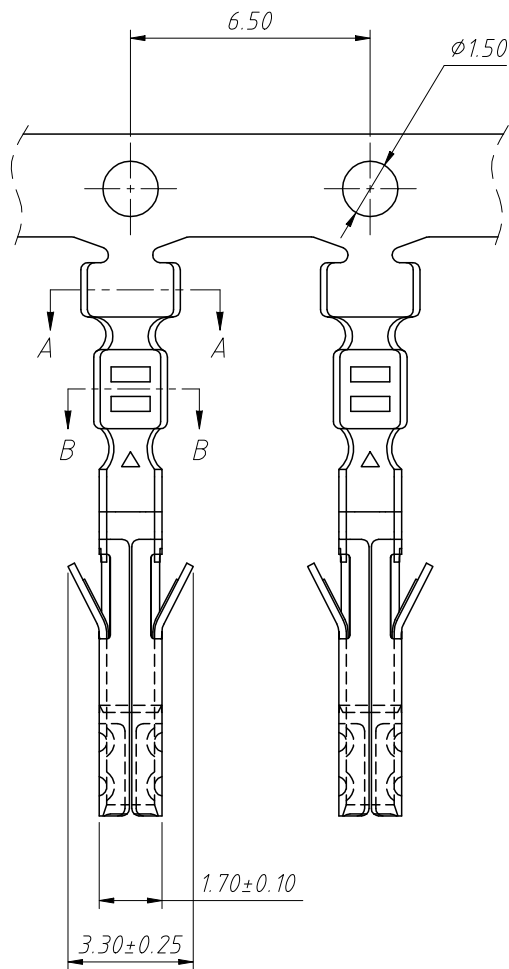


ANGLE TOLERANCE	PROJECTION	Description:	4.20mm Pitch Mini-Fit JR 5556 5557 5559 5566 5569 Wire To Board Connector
±3°			
GENERAL TOLERANCE	UNITS	mm	KLS P/N: L-KLS1-4.20-1×02-MH
x.x ±0.30	SHEET SIZE	A4	
x.xx ±0.20	Draw:	Daniel	2021-01-11
x.xxx ±0.10	Check:	Daniel	2021-01-11



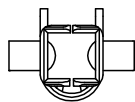
NingBo KLS ELECTRONIC CO.,LTD.

RoHS Compliance



Material:
 Terminal: Brass or Phosphor Beccorded
 Finish: Tin Plated
 Applicable wire: AWG#20-#24
 Electrical Characteristics:
 Rated Current: 7.0A AC,DC
 Voltage rating: 600V AC,DC
 Temperature range: -25°C ~ + 85°C
 Insulator Resistance: 1000M Ω Min
 Withstanding Voltage: 1500V AC/minute
 Contact Resistance: 20m Ω Max

Order Information:
 L-KLS1-4.20-FT
 L: RoHS
 Pitch: 4.20mm
 Type:
 MH / FH -Hosing
 MT / FT -Terminal
 W1-Without ear

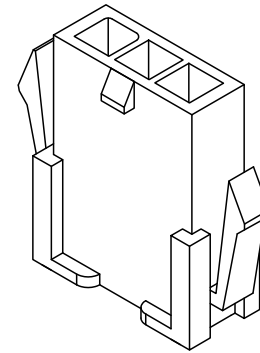
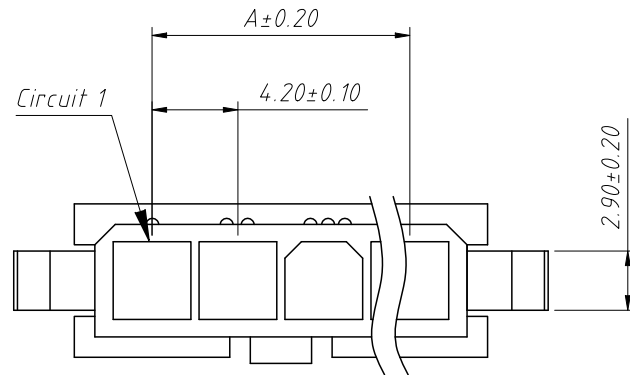


ANGLE TOLERANCE	PROJECTION	Description:	4.20mm Pitch Mini-Fit JR 5556 5557 5559 5566 5569 Wire To Board Connector
$\pm 3^\circ$			
GENERAL TOLERANCE	UNITS	mm	KLS P/N: L-KLS1-4.20-FT
x.x ± 0.30	SHEET SIZE	A4	
x.xx ± 0.20	Draw:	Daniel	2021-01-11
x.xxx ± 0.10	Check:	Daniel	2021-01-11



NingBo KLS ELECTRONIC CO.,LTD.

RoHS Compliance



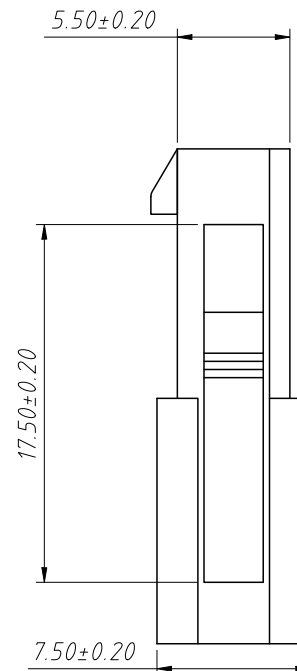
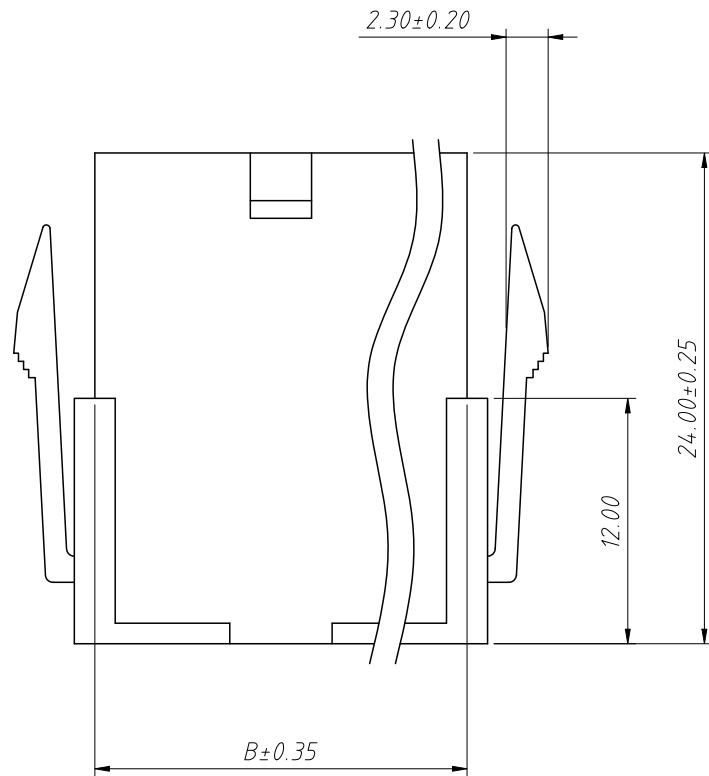
Pin	Dimensions(mm)	
	A	B
02	4.20	9.80
03	8.40	14.00
04	12.60	18.20
05	16.80	22.40
06	21.00	26.60

Material:
Housing:PA66,UL 94 V-0/2

Electrical Characteristics:
Rated Current:7.0A AC,DC
Voltage rating:600V AC,DC
Temperature range:-25°C ~ + 85°C
Insulator Resistance:1000MΩ Min
Withstanding Voltage:1500V AC/minute
Contact Resistance:20mΩ Max

Order Information:
L-KLS1-4.20-1×02-FH

L: RoHS
Pitch:4.20mm
Pins:
1-Single layer
2-Double layer
No.of 02~06 pins
Type:
MH / FH -Hosing
MT / FT-Terminal
W1-Without ear



ANGLE TOLERANCE	PROJECTION	Description:	4.20mm Pitch Mini-Fit JR 5556 5557 5559 5566 5569 Wire To Board Connector	
±3°				
GENERAL TOLERANCE	UNITS	mm	KLS P/N: L-KLS1-4.20-1×02-FH	
x.x ±0.30	SHEET SIZE	A4	NingBo KLS ELECTRONIC CO.,LTD.	
x.xx ±0.20	Draw:	Daniel		2021-01-11
x.xxx ±0.10	Check:	Daniel		2021-01-11