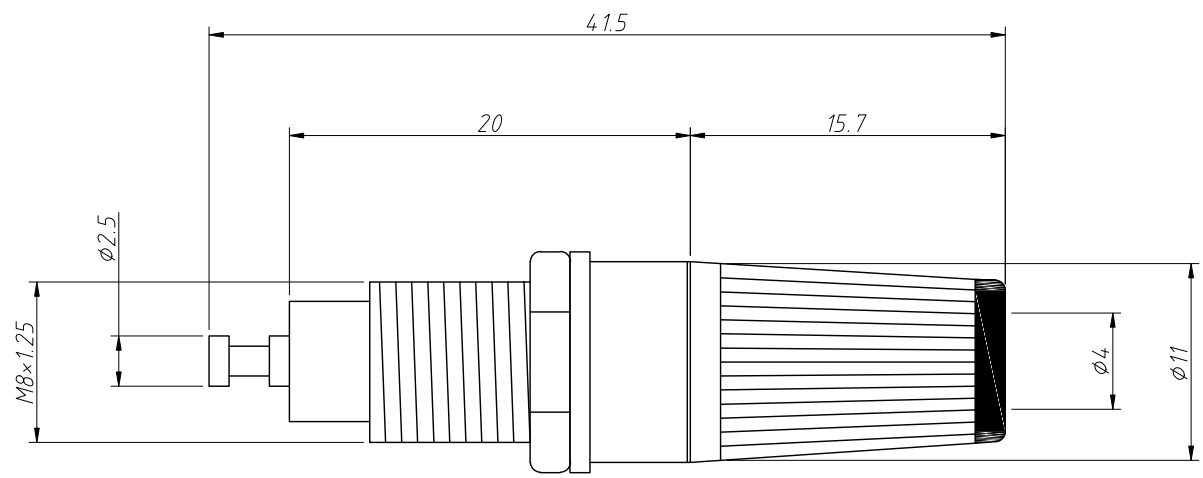


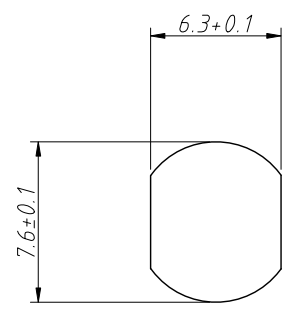
1  
RoHS Compliance

6		7		8	
REV	SYM	Revision Record		Appr.	Date
V0	KLS01105	New Version Release		Song	2026-06-25



Material:  
Housing: Nylon, Red/Black  
Metal: Brass/Iron,  
Nickel Plating/Gold Plating

Order Information  
L-KLS1-BIP-002-x-x  
 ↳ RoHS  
 ↳ Binding Post  
 ↳ Plated: G-Gold plated  
 ↳ N-Nickel plated  
 ↳ Color: R-Red B-Black



Suggested installation size

ANGLE TOLERANCE	PROJECTION	Description:			
±3°		Binding Post Connector			
GENERAL TOLERANCE	UNITS	mm	KLS P/N:	L-KLS1-BIP-002-x-x	
x.x ±0.30	SHEET SIZE	A4		NingBo KLS ELECTRONIC CO.,L TD.	
x.xx ±0.20	Draw:	Song	2026-06-25		
x.xxx ±0.10	Check:	Daniel	2026-06-25		