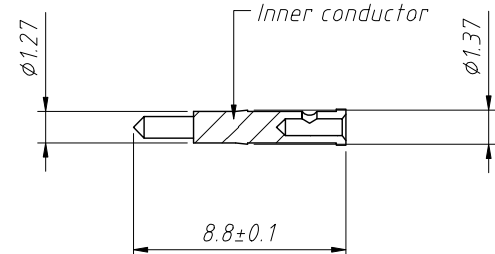
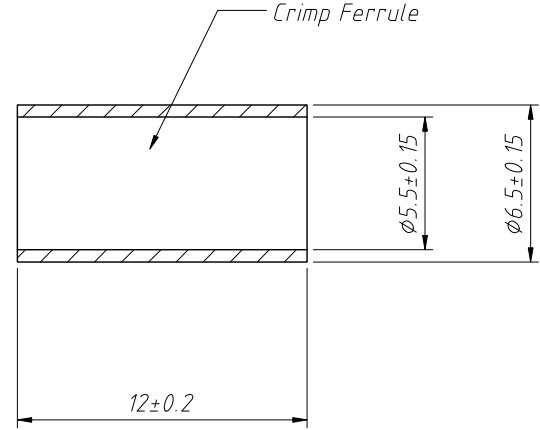
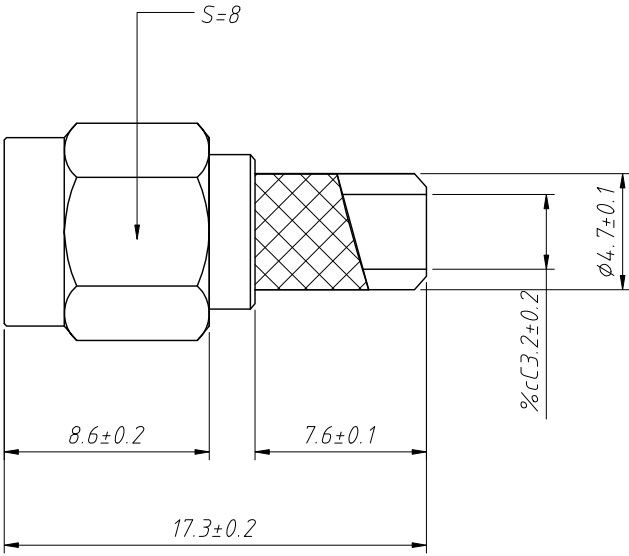


1
RoHS Compliance



Material:
Contact: Brass, Gold plated
Pin: Gold plated
Crimp Ferrule: Nickel plated surface

Electrical Specifications:
Impedance: 50Ω
Frequency Range: 0-3GHz

Mechanical:
Durability: 500 cycles
Salt Spray Test 48H
Cable Group: RG58CU

| | | | | |
|-------------------|------------|---------------|------------|---------------------------------|
| ANGLE TOLERANCE | PROJECTION | Description: | | |
| ±3° | | SMA Connector | | |
| GENERAL TOLERANCE | UNITS | mm | KLS P/N: | L-KLS1-SMA012-RG58CU |
| x.x ±0.30 | SHEET SIZE | A4 | 4:1 | NingBo KLS ELECTRONIC CO.,L.TD. |
| x.xx ±0.20 | Draw: | Daniel | 2023-03-09 | |
| x.xxx ±0.10 | Check: | Daniel | 2023-03-09 | |