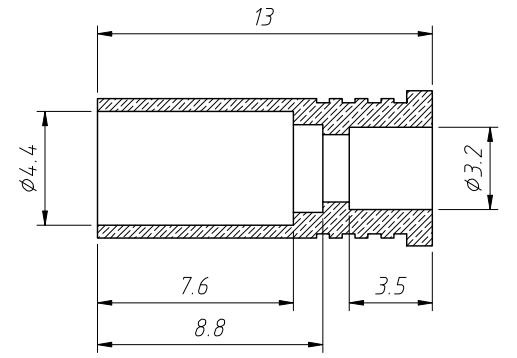
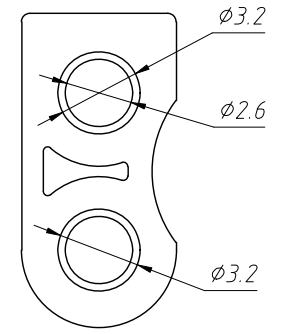
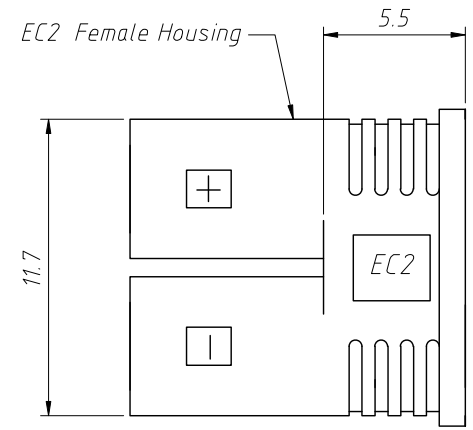
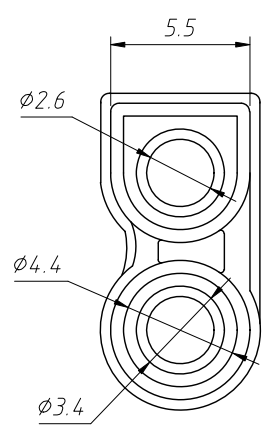


1
RoHS Compliance



Order Information:
 L-KLS1-XT02-EC2-FH-2

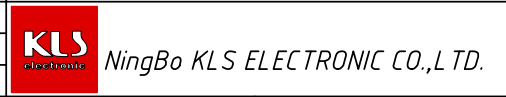
L: RoHS
 Product series
 Type:
 FH-Female Housing
 MH-Male Housing
 FT-Female Terminal
 MT-Male Terminal
 Housing Color:2-Blue

Material:
 EC2 Female Housing:PA66 UL94-V2,Blue Color

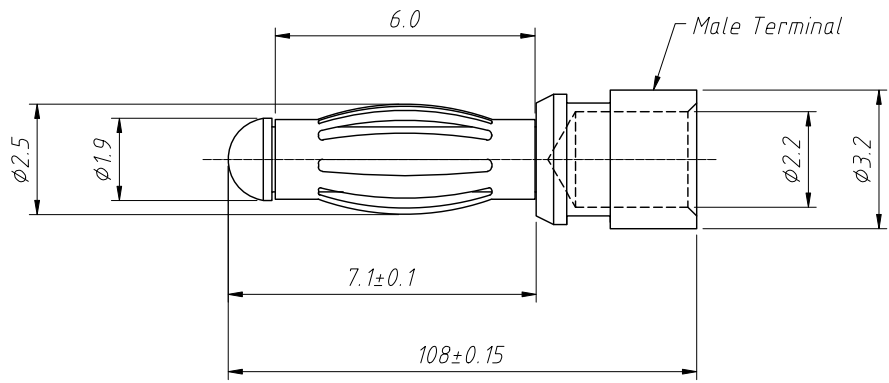
Description:

1. EC2 Female Housing with Male Terminal (L-KLS1-XT02-EC2-MT) used.
2. Hardware surface plating bright no oxidation and other bad.
3. The solder wire shall not flow outward to the terminal surface to avoid affecting the assembly

ANGLE TOLERANCE	PROJECTION	Description:	
±3°		EC2 Female Housing	
GENERAL TOLERANCE	UNITS	mm	KLS P/N:
x.x ±0.30	SHEET SIZE	A4	L-KLS1-XT02-EC2-FH-2
x.xx ±0.20	Draw:	Daniel	2022-08-25
x.xxx ±0.10	Check:	Daniel	2022-08-25



1
RoHS Compliance



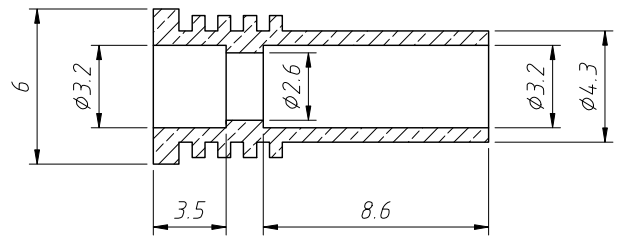
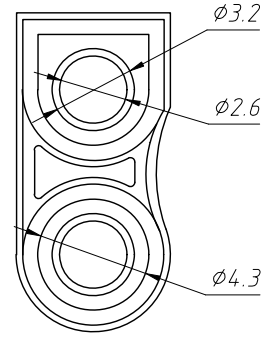
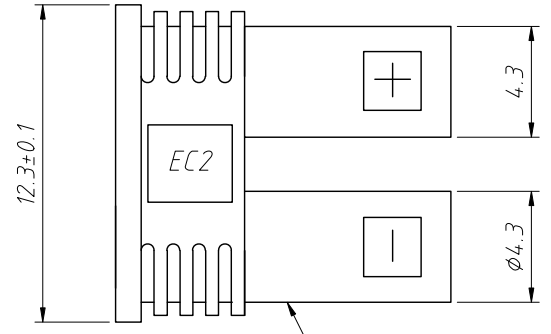
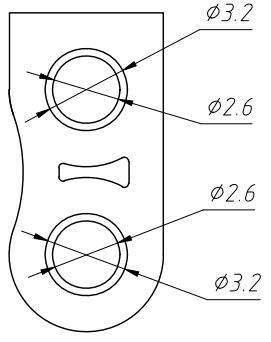
Order Information:
L-KLS1-XT02-EC2-MT
 L: RoHS
 Product series
 Type:
 FH-Female Housing
 MH-Male Housing
 FT-Female Terminal
 MT-Male Terminal

Material:
 2.0 Male Terminal: 3.2x10.8 H59 Brass, Gold Plated

Description:
 1. Male Terminal with EC2 Female Housing (L-KLS1-XT02-EC2-FH-2) used.
 2. Hardware surface plating bright no oxidation and other bad.
 3. The solder wire shall not flow outward to the terminal surface to avoid affecting the assembly

ANGLE TOLERANCE	PROJECTION	Description:	Male Terminal	
±3°				
GENERAL TOLERANCE	UNITS	mm	KLS P/N:	L-KLS1-XT02-EC2-MT
x.x ±0.30	SHEET SIZE	A4		
x.xx ±0.20	Draw:	Daniel	2022-08-25	NingBo KLS ELECTRONIC CO.,L TD.
x.xxx ±0.10	Check:	Daniel	2022-08-25	

1
RoHS Compliance



EC2 Male Housing

Order Information:
L-KLS1-XT02-EC2-MH-2
 L: RoHS
 Product series
 Type:
 FH-Female Housing
 MH-Male Housing
 FT-Female Terminal
 MT-Male Terminal
 Housing Color:2-Blue

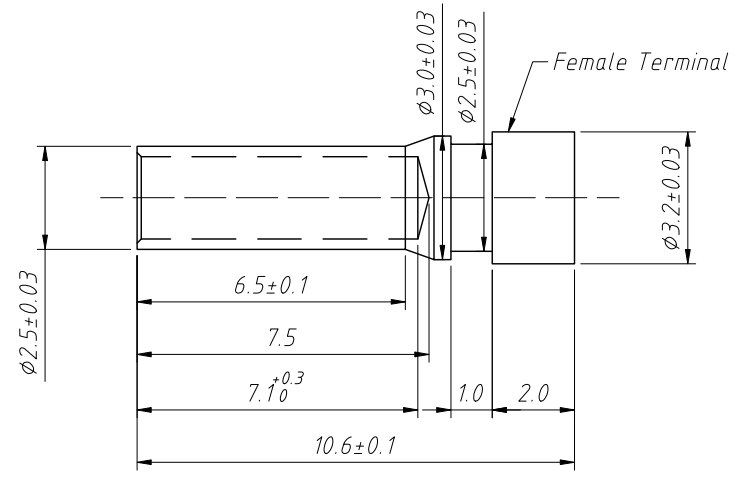
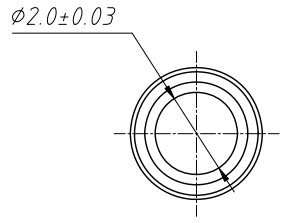
Material:
 EC2 Male Housing:PA66 UL94-V2,Blue Color

Description:
 1. EC2 Male Housing with Female Terminal (L-KLS1-XT02-EC2-FT) used.
 2. Hardware surface plating bright no oxidation and other bad.
 3. The solder wire shall not flow outward to the terminal surface to avoid affecting the assembly

ANGLE TOLERANCE	PROJECTION	Description:	Male Housing	
±3°				
GENERAL TOLERANCE	UNITS	mm	KLS P/N:	L-KLS1-XT02-EC2-MH-2
x.x ±0.30	SHEET SIZE	A4		
x.xx ±0.20	Draw:	Daniel	2022-08-25	
x.xxx ±0.10	Check:	Daniel	2022-08-25	

NingBo KLS ELECTRONIC CO.,L.TD.

1
RoHS Compliance



Order Information:
L-KLS1-XT02-EC2-FT
 L: RoHS
 Product series
 Type:
 FH-Female Housing
 MH-Male Housing
 FT-Female Terminal
 MT-Male Terminal

Material:
 EC2 Female Terminal: 3.2x10.6 H59 Brass, Gold Plated

Description:
 1. Female Terminal with EC2 Male Housing (L-KLS1-XT02-EC2-MH-2) used.
 2. Hardware surface plating bright no oxidation and other bad.
 3. The solder wire shall not flow outward to the terminal surface to avoid affecting the assembly

ANGLE TOLERANCE	PROJECTION	Description:	
$\pm 3^\circ$		Female Terminal	
GENERAL TOLERANCE	UNITS	mm	KLS P/N:
x.x ± 0.30	SHEET SIZE	A4	L-KLS1-XT02-EC2-FT
x.xx ± 0.20	Draw:	Daniel	2022-08-25
x.xxx ± 0.10	Check:	Daniel	2022-08-25

