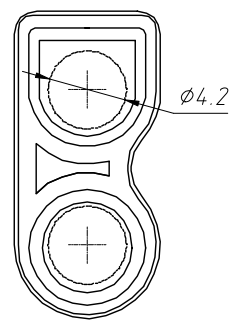
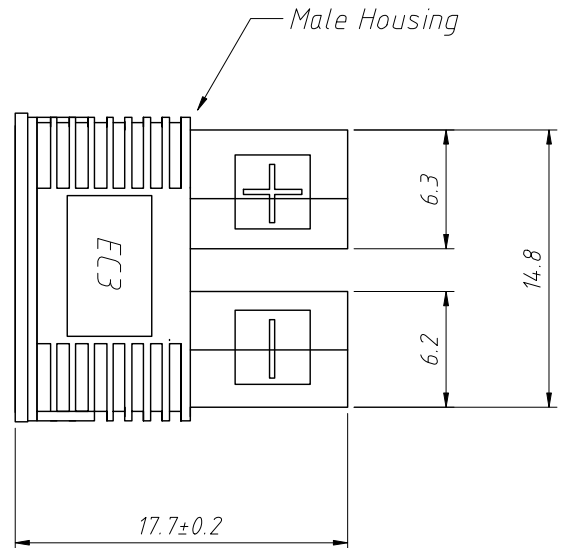
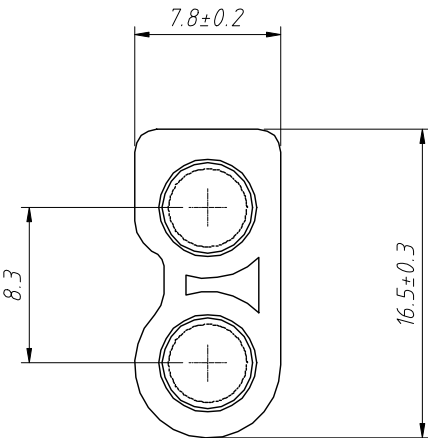


1  
RoHS Compliance



Order Information:

L-KLS1-XT02-EC3-MH-2

L: RoHS  
 Product series  
 Type:  
 FH-Female Housing  
 MH-Male Housing  
 FT-Female Terminal  
 MT-Male Terminal  
 Housing Color:2-Blue

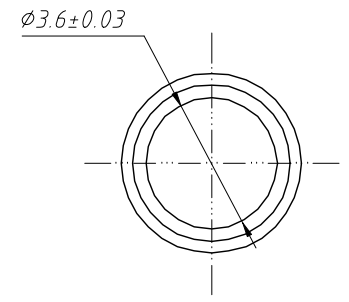
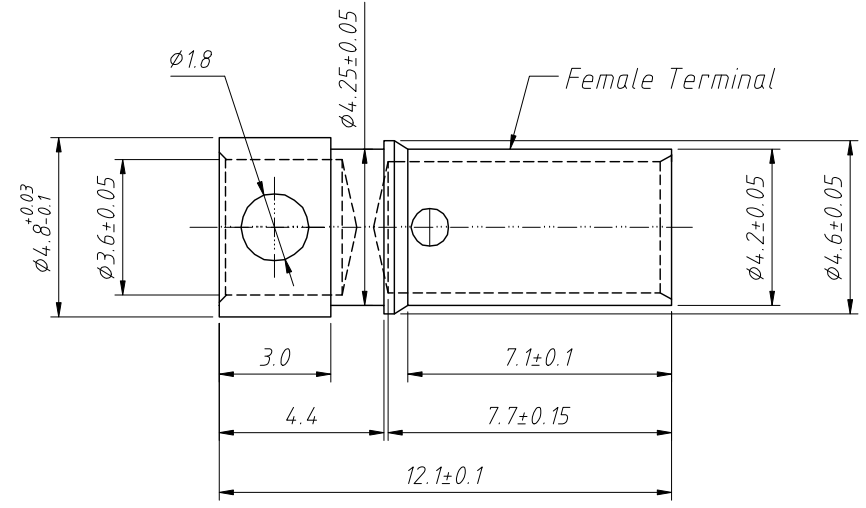
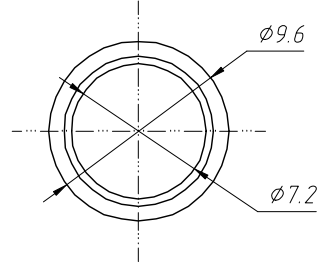
Material:  
 EC3 Male Housing:PA66 UL94-V2,Blue Color

- Description:
1. EC3 Male Housing with Female Terminal (L-KLS1-XT02-EC3-FT) used.
  2. Hardware surface plating bright no oxidation and other bad.
  3. The solder wire shall not flow outward to the terminal surface to avoid affecting the assembly

ANGLE TOLERANCE	PROJECTION	Description:	
±3°		Male Housing	
GENERAL TOLERANCE	UNITS	mm	KLS P/N:
x.x ±0.30	SHEET SIZE	A4	L-KLS1-XT02-EC3-MH-2
x.xx ±0.20	Draw:	Daniel	2022-08-25
x.xxx ±0.10	Check:	Daniel	2022-08-25



1  
RoHS Compliance



Material:  
3.5 Female Terminal: 4.8x12.1, Brass Silver Plated

Electrical Characteristics:  
Current rating: 25A  
Instantaneous current: 50A  
Contact resistance: 0.5mΩ  
Cable Area: 2-3.3mm<sup>2</sup>  
Use Times: 2000 times

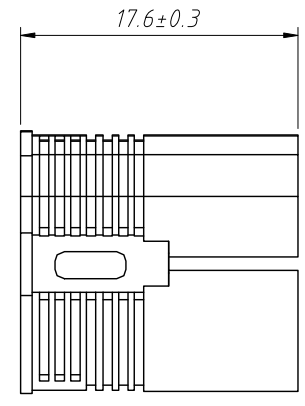
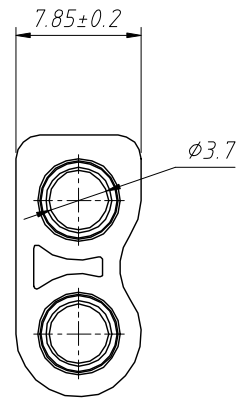
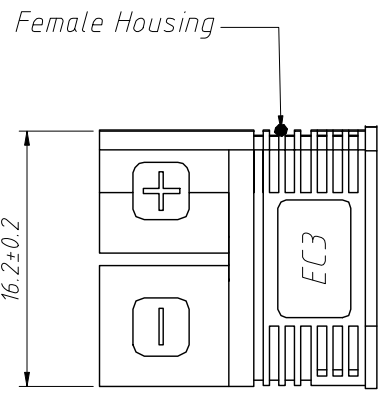
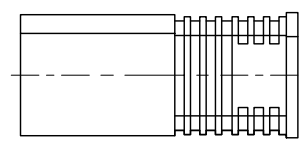
Description:  
Female Terminal with EC2 Male Housing (L-KLS1-XT02-EC3-MH-2) used.

Order Information:  
L-KLS1-XT02-EC3-FT  
L: RoHS  
Product series  
Type:  
FH-Female Housing  
MH-Male Housing  
FT-Female Terminal  
MT-Male Terminal

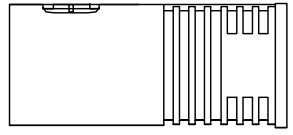
ANGLE TOLERANCE	PROJECTION	Description:	Female Terminal	
±3°				
GENERAL TOLERANCE	UNITS	mm	KLS P/N:	L-KLS1-XT02-EC3-FT
x.x ±0.30	SHEET SIZE	A4		
x.xx ±0.20	Draw:	Daniel	2022-08-25	
x.xxx ±0.10	Check:	Daniel	2022-08-25	

NingBo KLS ELECTRONIC CO.,L TD.

1  
RoHS Compliance



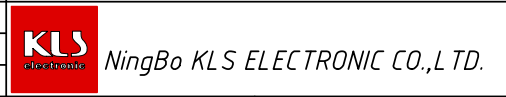
Order Information:  
**L-KLS1-XT02-EC3-FH-2**  
 L: RoHS  
 Product series  
 Type:  
 FH-Female Housing  
 MH-Male Housing  
 FT-Female Terminal  
 MT-Male Terminal  
 Housing Color:2-Blue



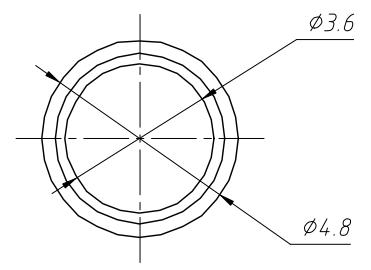
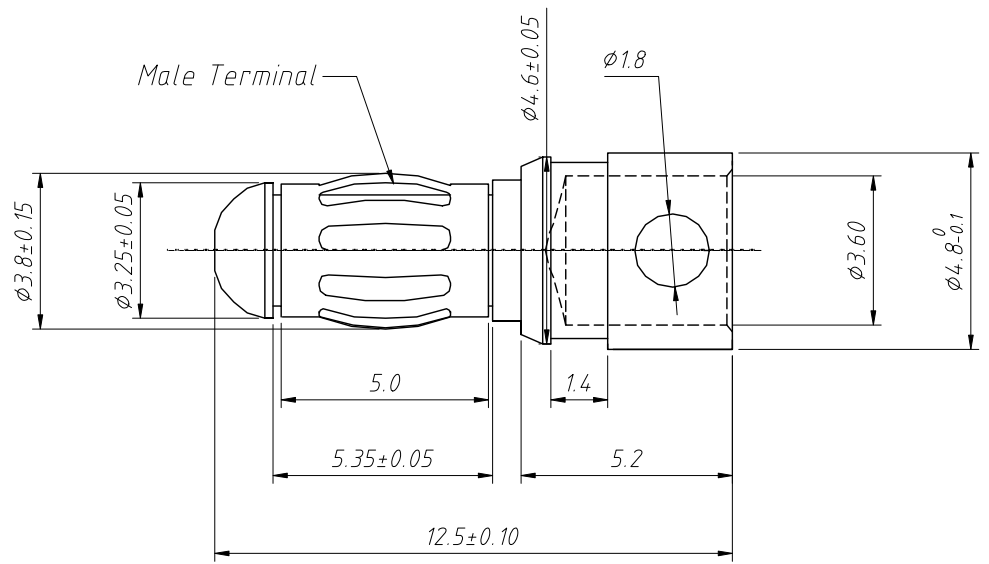
Material:  
 EC3 Female Housing:PA66 UL94-V2,Blue Color

Description:  
 1. EC3 Female Housing with Male Terminal (L-KLS1-XT02-EC3-MT) used.  
 2. Hardware surface plating bright no oxidation and other bad.  
 3. The solder wire shall not flow outward to the terminal surface to avoid affecting the assembly

ANGLE TOLERANCE	PROJECTION	Description:	
$\pm 3^\circ$		EC3 Female Housing	
GENERAL TOLERANCE	UNITS	mm	KLS P/N:
x.x $\pm 0.30$	SHEET SIZE	A4	L-KLS1-XT02-EC3-FH-2
x.xx $\pm 0.20$	Draw:	Daniel	2022-08-25
x.xxx $\pm 0.10$	Check:	Daniel	2022-08-25



1  
RoHS Compliance



Material:  
3.5 Male Terminal:4.8×12.5,Brass Silver Plated

Electrical Characteristics:  
Current rating:25A  
Instantaneous current:50A  
Contact resistance:0.5mΩ  
Cable Apcc:2-3.3mm<sup>2</sup>  
Uses Times:2000 time

Description:  
Male Terminal with EC3 Female Housing (L-KLS1-XT02-EC3-FH-2) used.

Order Information:  
L-KLS1-XT02-EC3-MT  
L: RoHS  
Product series  
Type:  
FH-Female Housing  
MH-Male Housing  
FT-Female Terminal  
MT-Male Terminal

ANGLE TOLERANCE	PROJECTION	Description:	Male Terminal	
±3°				
GENERAL TOLERANCE	UNITS	mm	KLS P/N:	L-KLS1-XT02-EC3-MT
x.x ±0.30	SHEET SIZE	A4		
x.xx ±0.20	Draw:	Daniel	2022-08-25	
x.xxx ±0.10	Check:	Daniel	2022-08-25	

**KLS** NingBo KLS ELECTRONIC CO.,L TD.