

Product Specification

Number: L-KLS4-3362P

Name: Cermet Potentiometer

Customer: _____

Date: 2026-01-09

Customer Signature:



NINGBO KLS ELECTRONIC CO; LTD

Tel : 0086-574-86828566

Fax : 0086-574-86824882

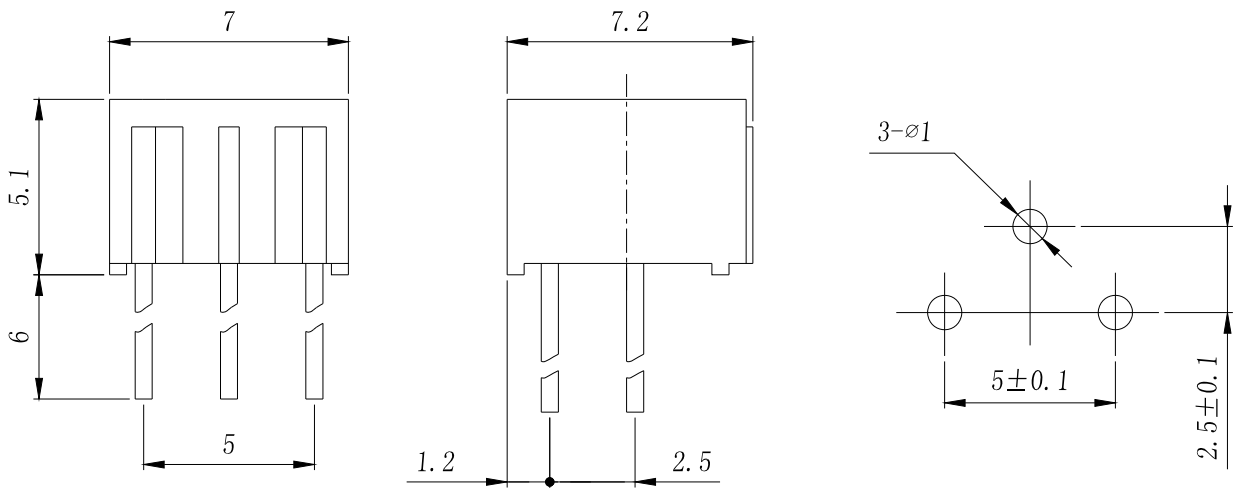
ADD : NO. 8-1, RONGXIA RD. XIAPU SHANQIAN
INDUSTRIAL ZONE BEILUN NINGBO ZHEJIANG.

Compi	Check	Review	Approva
Jenny	Jack.C		

Part name	Cermet Potentiometer	Date	2026-01-09
Part number	L-KLS4-3362P	Edition	V1
Department		Page	3 / 6

-
-
-
-
-

1



Part name	Cermet Potentiometer	Date	2026-01-09
Part number	L-KLS4-3362P	Edition	V1
Department		Page	5 / 6

4 33 2 102	33 2	10
1000		
4 33 2 103	33 2	10
10000		
4 33 2 104	33 2	10
100000		
4 33 2 105	33 2	10
1000000		
4 33 2 201	33 2	10
200		
4 33 2 202	33 2	10
2000		
4 33 2 203	33 2	10
20000		
4 33 2 204	33 2	10
200000		
4 33 2 205	33 2	10
2000000		
4 33 2 222	33 2	10
2200		
4 33 2 253	33 2	10
25000		



Part name	Cermet Potentiometer	Date	2026-01-09
Part number	L-KLS4-3362P	Edition	V1
Department		Page	6 / 7

4 33 2 333	33 2	10
33000		
4 33 2 472	33 2	10
4700		
4 33 2 501	33 2	10
500		
4 33 2 501J	33 2	5
500		
4 33 2 502	33 2	10
5000		
4 33 2 503	33 2	10
50000		
4 33 2 504	33 2	10
500000		

