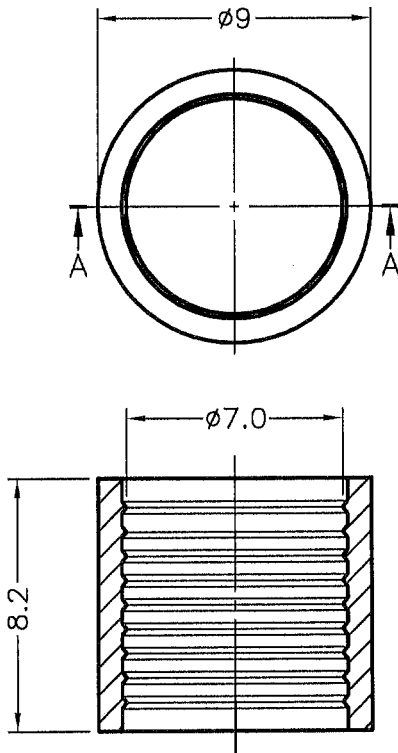


DIM.	TOL
5mm DOWN	±0.2
5~20mm	±0.3
20~40mm	±0.4
40~60mm	±0.5
60~100mm	±0.8
100mm UP	±1.0

REVISIONS			
REV	DESCRIPTION	DATE	BY


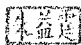


SECTION A-A

PART NO.	COLOR
LC5-1T	BLACK
LC5-1T(N)	NATURAL



NOTE: All measurement does not include gate which raises under 0.3mm.

 <p>康揚企業股份有限公司 KANG YANG HARDWARE ENTERPRISE CO., LTD. 康揚塑膠(東莞)有限公司 KANG YANG PLASTIC(DONG GUAN) CO., LTD. 康哲電腦配件(吳江)有限公司 KANG CHE COMPUTER COMPONENTS(WUJIANG) CO., LTD.</p>	TITLE LED HOLDER COVER		SPEC. DWG		
	MATERIAL NYLON 66 UL94V-2		DATE 2002.02.27		
	FINISH		DRAWN S.J.C.		
	COLOR SEE ABOVE		CHECK 		
PART NUMBER SEE ABOVE		DRAWING NUMBER LC5-1T		UNLESS OTHERWISE SPECIFIED TOLERANCE SEE ABOVE	
SIZE A4	SCALE 4:1	UNIT mm	REV A	APPROVED 