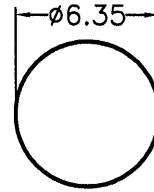
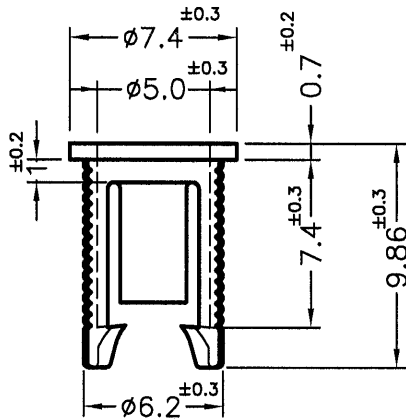
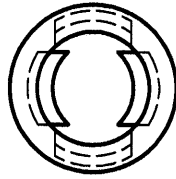


REVISIONS			
REV	DESCRIPTION	DATE	BY




MOUNTING HOLE

PART NO.	MATERIAL
LED5-8	NYLON 66 UL94V-2
LED5-8V0	NYLON 66 UL94V-0
LED5-8GS	NYLON 66 UL94HB+GF
LED5-8GSV0	NYLON 66 UL94V-0+GF

NOTE:MADE OF EQUIVALENT MATERIAL.
使用同等材質



 <p>康揚企業股份有限公司 KANG YANG HARDWARE ENTERPRISE CO., LTD. 康揚塑膠(東莞)有限公司 KANG YANG PLASTIC(DONG GUAN) CO.,LTD. 康哲電腦配件(吳江)有限公司 KANG CHE COMPUTER COMPONENTS(WUJIANG) CO.,LTD.</p>	TITLE		LED HOLDER		SPEC. DWG.		
	MATERIAL		SEE ABOVE		DATE		2003.11.04
	FINISH				DRAWN		Linda
	COLOR		BLACK		CHECK		彭永承
PART NUMBER		DRAWING NUMBER		UNLESS OTHERWISE SPECIFIED TOLERANCE		APPROVED	
SEE ABOVE		LED5-8		SEE ABOVE		Kang	
SIZE	SCALE	UNIT	REV				
A4	3:1	mm	B				