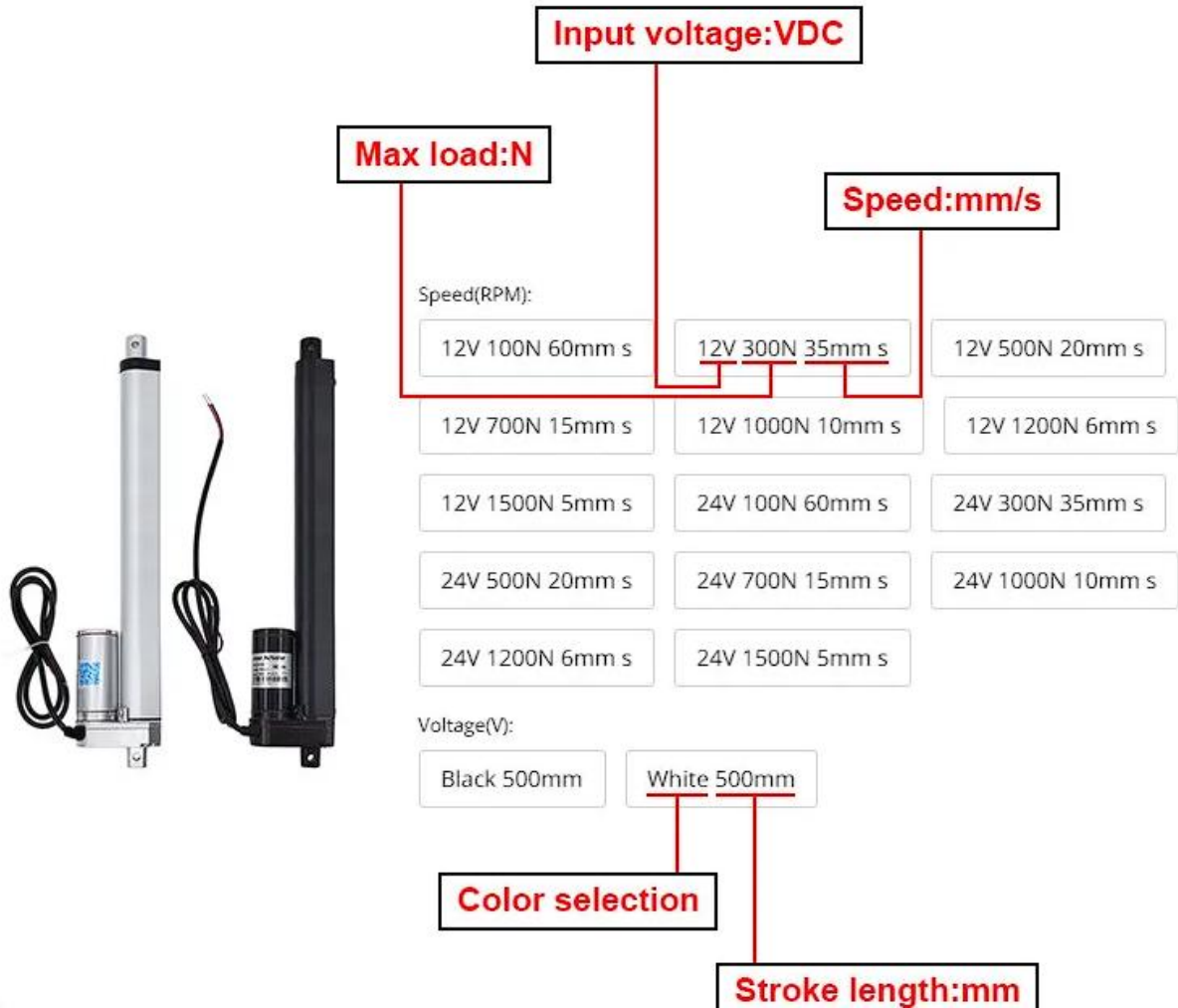


For example:(500mm)



Technical Parameters:

Rated power: 20W Maximum 30W

Stroke: 50mm/100mm/150mm/200mm/250mm/300mm

Permanent magnet DC motor drive;

Voltage: 12V,24V

Standard protection grade: IP54

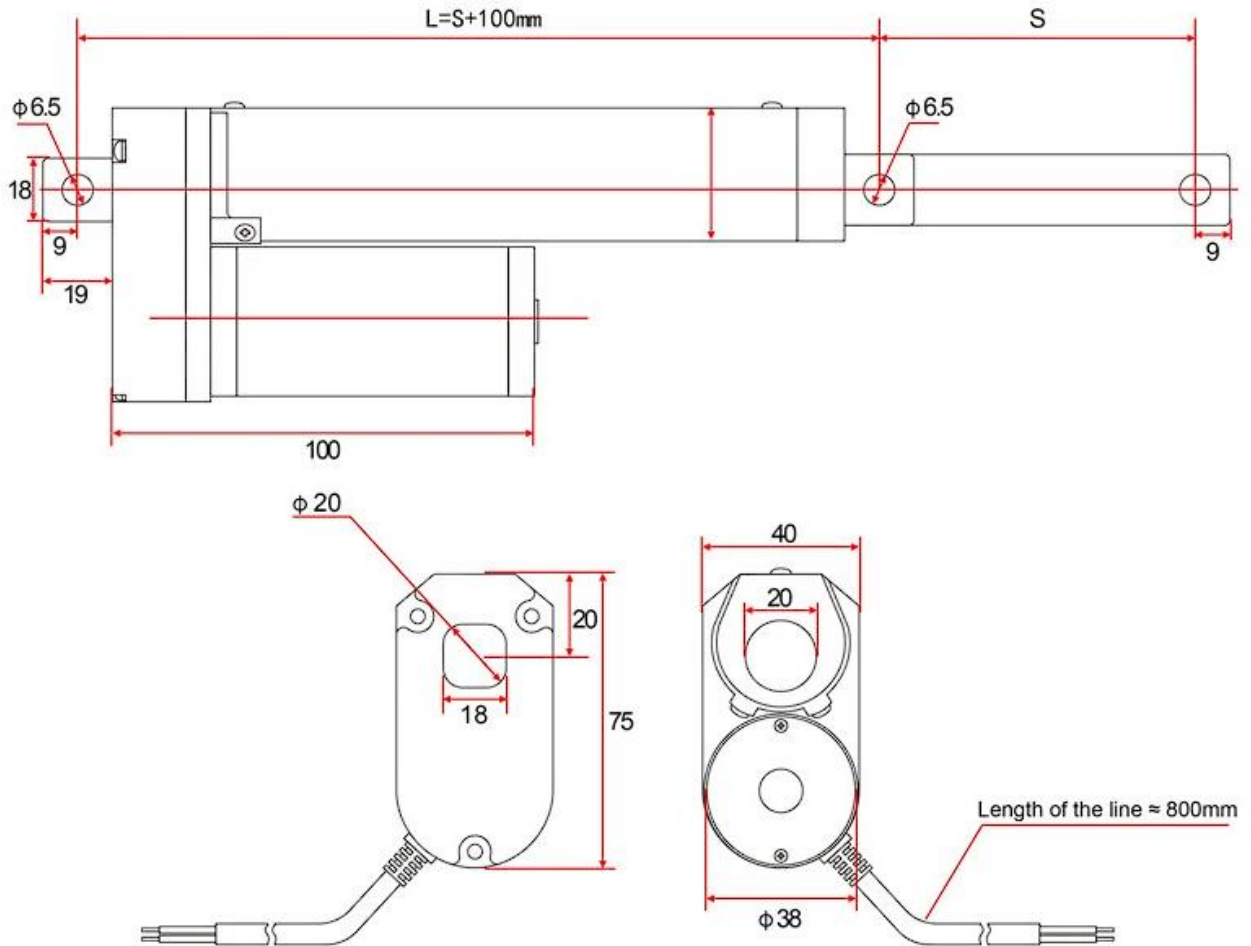
Material: aluminum alloy

Ambient temperature -20°C to +75°C.

Low noise design, noise level less than 42dB.

Application: Television console.couch for massage.Electric bed.Medical chair.Electric equipment

The self-locking force of the linear actuator is about 80%



L= Minimum installation distance

S= Effective stroke

Size introduction:

Stroke Length: means the movement length of linear actuator.

Retracted Length: means the length when linear actuator 100% fully closed.

Extended Length: means the length when linear actuator 100% fully open.

Stroke length introduction:

50mm Stroke, Retracted Length=155mm, Extended Length=205mm

100mm Stroke, Retracted Length=205mm, Extended Length=305mm

150mm Stroke, Retracted Length=255mm, Extended Length=405mm

200mm Stroke, Retracted Length=305mm, Extended Length=505mm

250mm Stroke, Retracted Length=355mm, Extended Length=605mm

