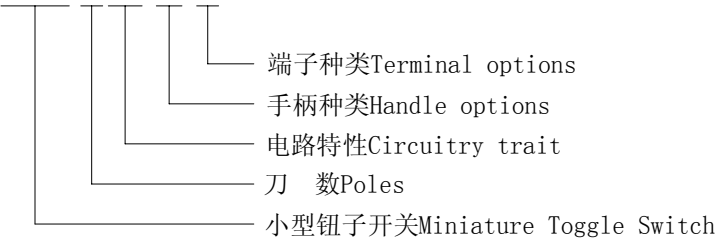


MTS SERIES

MASSUSE SWITCH

Ordering information

MTS-102-A 1



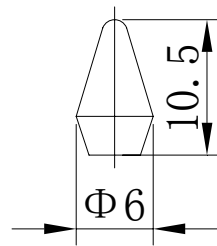
技术特性 Specification:

- 1.规格 Rating: 6A 125VAC: 3A 250VAC
- 2.接触电阻 Contact Resistance: 20mΩmax.
- 3.绝缘电阻 Insulation Resistance: 500VDC 1000MΩmin.
- 4.耐电压 Dielectric strength: 1500VAC, 1Minute
- 5.操作温度 Operating Temperature: -55°C ~ +85°C
- 6.电气寿命 Electrical Life: 20,000 Cycles

电路特性 Circuitry trait

型号 Model No	Circuitry trait			类型 Type	端子数 Terminals
MTS-101	NO		OFF	SPST	2P
MTS-102	ON	-	ON	SPDT	3P
MTS-102	ON	-	(ON)	SPDT	3P
MTS-103	ON	OFF	ON	SPDT	3P
MTS-103	ON	OFF	ON	SPDT	3P
MTS-103	(ON)	OFF	(ON)	SPDT	3P

手柄套 Toggle cap(D)

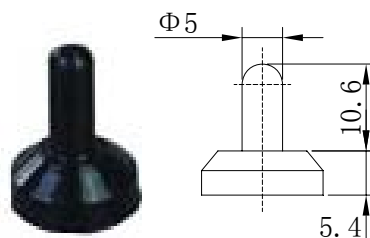


底座颜色 Base color

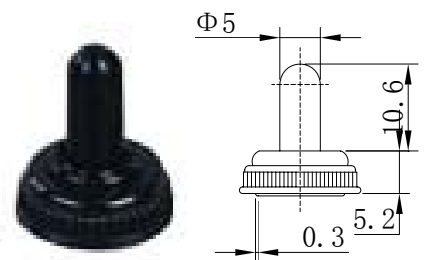
颜色 COLOR	兰 Blue
黑 Black	黑 Black
白 White	红 Red
红 Red	绿 Green
黄 Yellow	
绿 Green	
兰 Blue	

防水帽 Water proof cap

WPC-04
M6×0.75



WPC-05
M6×0.75

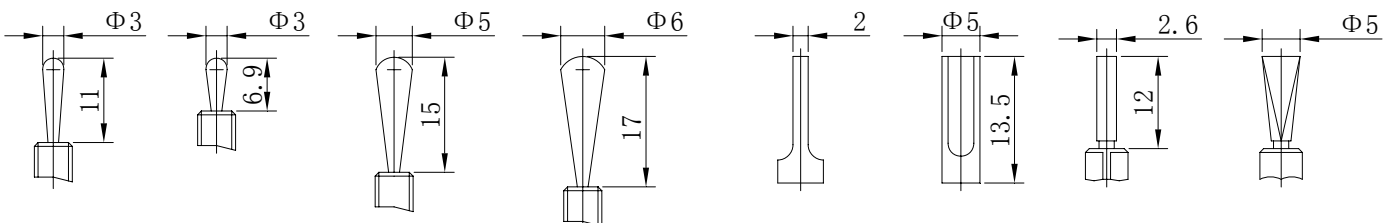


型号 Model No	Circuitry trait			类型 Type	端子数 Terminals
MTS-201	ON	-	OFF	DPST	4P
MTS-202	ON	-	ON	DPDT	6P
MTS-202	ON	-	(ON)	DPDT	6P
MTS-203	ON	OFF	ON	DPDT	6P
MTS-203	ON	OFF	(ON)	DPDT	6P
MTS-203	(ON)	OFF	(ON)	DPDT	6P

(回弹指示 Indicates Momentary)

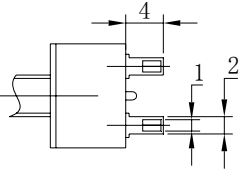
手柄种类 Handle options

标准 Standard(A) 短型 Short(C) 大型 Grand(G) 特大型 large(L) 塑料扁柄 Plastic Flat(E) 金属扁柄 Metal Flat(F)

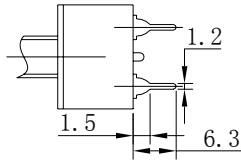


端子种类 Terminal options

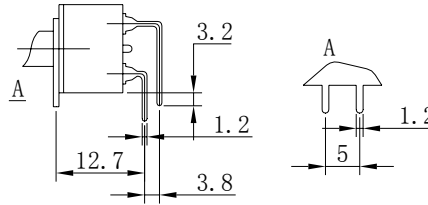
Soleer terminal(1)



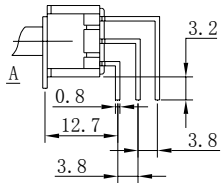
PC terminal(2)



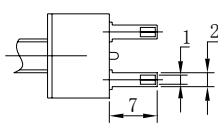
PC-H terminal(3)



PC-V terminal(4)

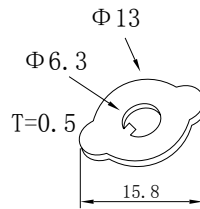


Long Solder terminal(5)



附属配件 Affix Annex

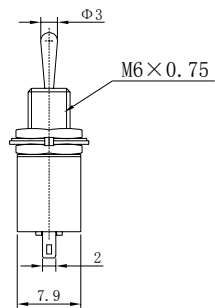
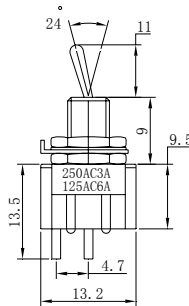
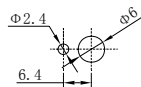
标牌 Nameplate



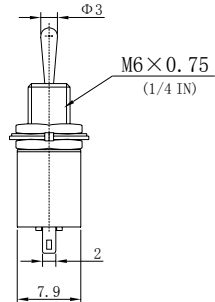
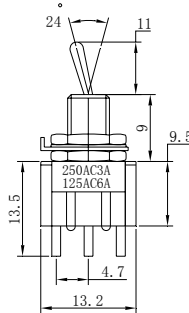
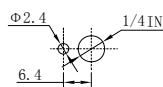
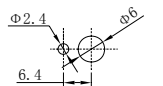
(1)	ON	-	OFF
(2)	ON	-	ON
(3)	ON	OFF	ON



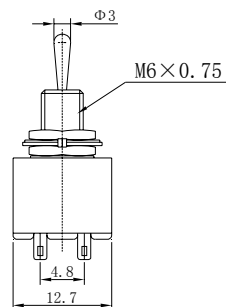
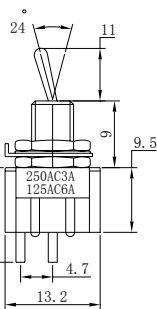
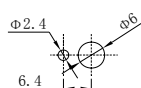
MTS-101 ON-OFF
SPST 2P



MTS-102 ON-ON
MTS-112 ON-(ON)
MTS-103 ON-OFF-ON
MTS-113 ON-OFF-(ON)
MTS-123 (ON)-OFF-(ON)
MTS-1033 ON-ON-ON
SPDT 3P

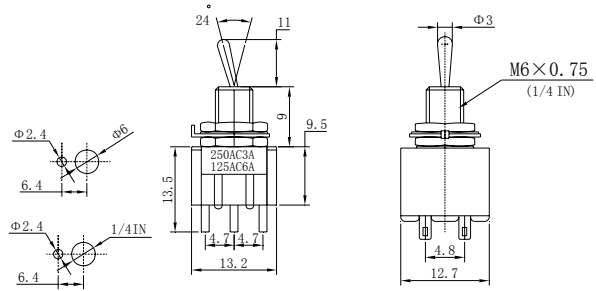


MTS-201 ON-OFF
DPST 4P

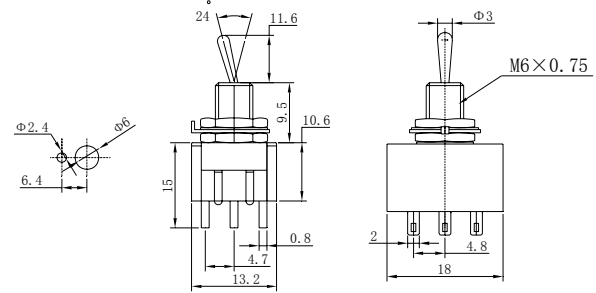




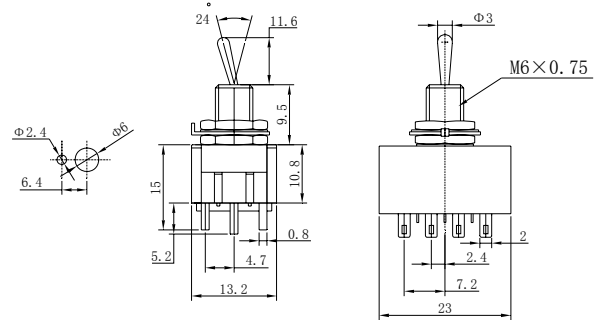
MTS-202 ON-ON
 MTS-212 ON-(ON)
 MTS-203 ON-OFF-ON
 MTS-223 ON-OFF(ON)
 MTS-223 (ON)-OFF-(ON)
 MTS-2033 ON-ON-ON
 DPDT 6P



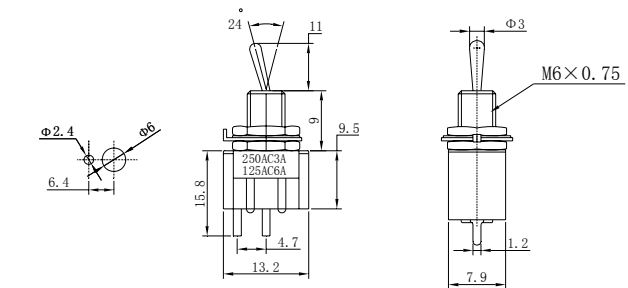
MTS-302 ON-ON
 MTS-303 ON-OFF-ON
 3PDT 9P



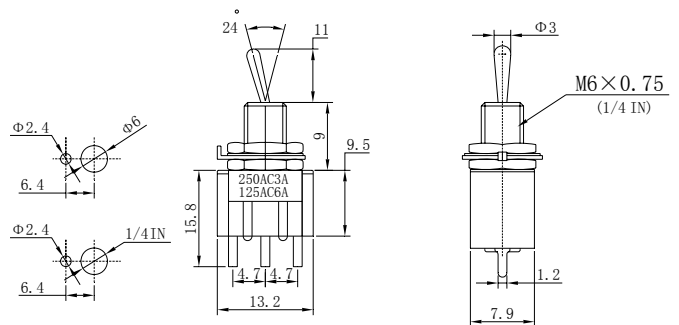
MTS-402 ON-ON
 MTS-403 ON-OFF-ON
 4PDT 12P



MTS-101-A2 ON-OFF
 SPST 2P

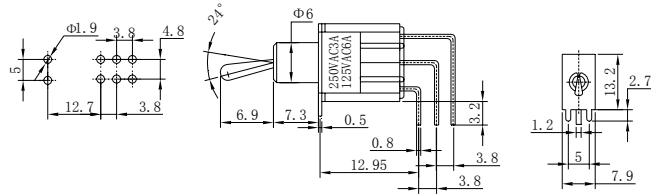


MTS-102-A2 ON-ON
 MTS-112-A2 ON-(ON)
 MTS-103-A2 ON-OFF-ON
 MTS-113-A2 ON-OFF-(ON)
 MTS-123-A2 (ON)-OFF-(ON)
 SPDT 3P

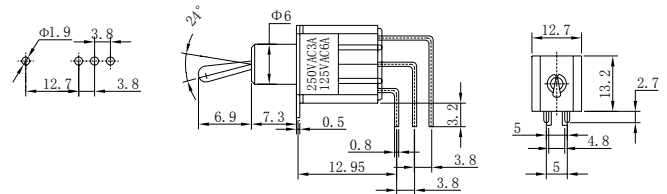




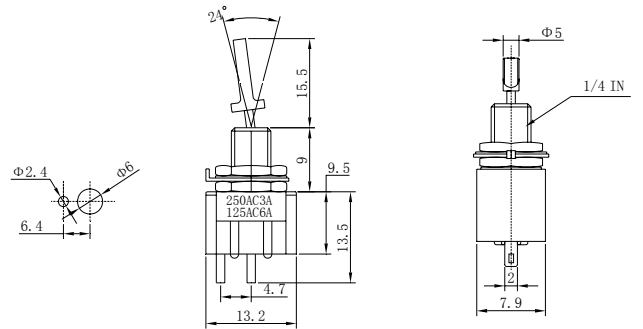
MTS-102-C4 ON-ON
 MTS-112-C4 ON-(ON)
 MTS-103-C4 ON-OFF-ON
 MTS-113-C4 ON-OFF-(ON)
 MTS-123-C4 (ON)-OFF-(ON)
 SPDT 3P



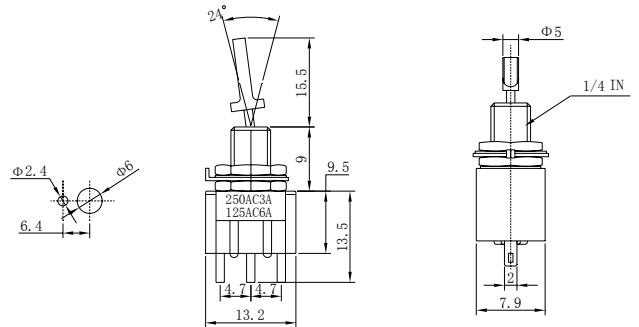
MTS-202-C4 ON-ON
 MTS-212-C4 ON-(ON)
 MTS-203-C4 ON-OFF-ON
 MTS-213-C4 ON-OFF-(ON)
 MTS-223-C4 (ON)-OFF-(ON)
 SPDT 6P



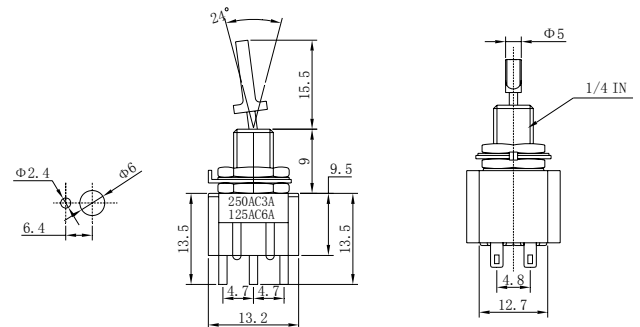
MTS-101-E1 ON-OFF
 SPST 2P
 (PLASTIC FLAT LEVER)



MTS-102-E1 ON-ON
 MTS-112-E1 ON-(ON)
 MTS-103-E1 ON-OFF-ON
 MTS-113-E1 ON-OFF-(ON)
 MTS-123-E1 (ON)-OFF-(ON)
 SPDT 3P
 (PLASTIC FLAT LEVER)

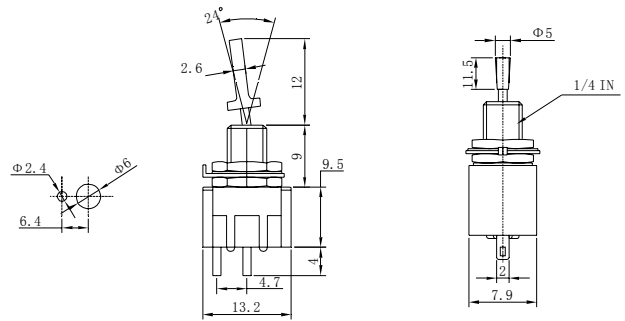


MTS-202-E1 ON-ON
 MTS-212-E1 ON-(ON)
 MTS-203-E1 ON-OFF-ON
 MTS-213-E1 ON-OFF-(ON)
 MTS-223-E1 (ON)-OFF-(ON)
 SPDT 6P
 (PLASTIC FLAT LEVER)

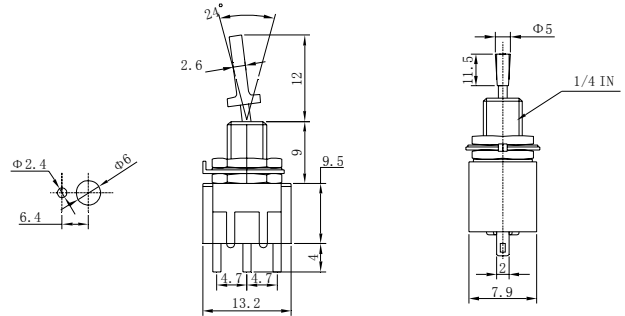




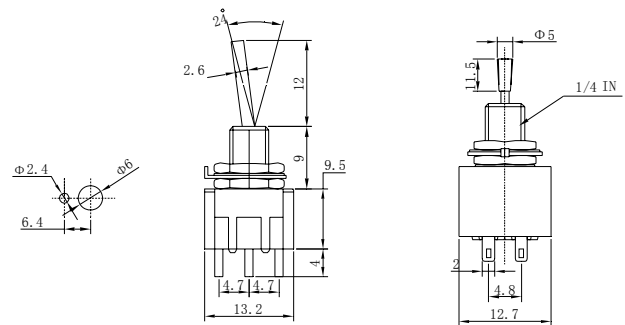
MTS-101-F1 ON-OFF
SPST 2P
(METAL FLAT LEVER)



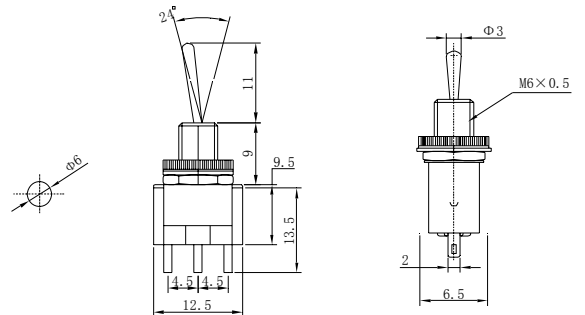
MTS-102-F1 ON-ON
MTS-112-F1 ON-(ON)
MTS-103-F1 ON-OFF-ON
MTS-113-F1 ON-OFF-(ON)
MTS-123-F1 (ON)-OFF-(ON)
SPDT 3P
(METAL FLAT LEVER)



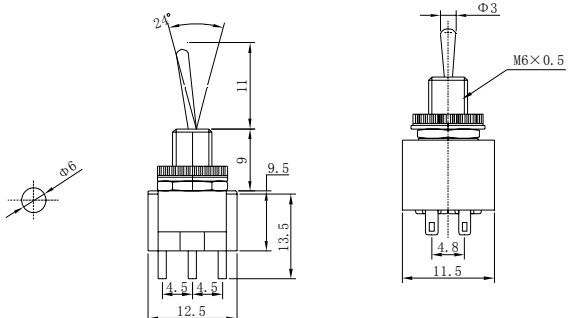
MTS-202-F1 ON-ON
MTS-212-F1 ON-(ON)
MTS-203-F1 ON-OFF-ON
MTS-213-F1 ON-OFF-(ON)
MTS-223-F1 (ON)-OFF-(ON)
SPDT 6P
(METAL FLAT LEVER)



KNX-1 ON-ON
KNX-103 ON-OFF-ON
SPDT 3P

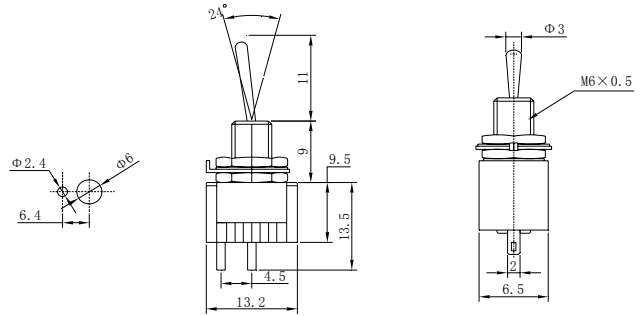


KNX-2 ON-ON
KNX-203 ON-OFF-ON
SPDT 6P

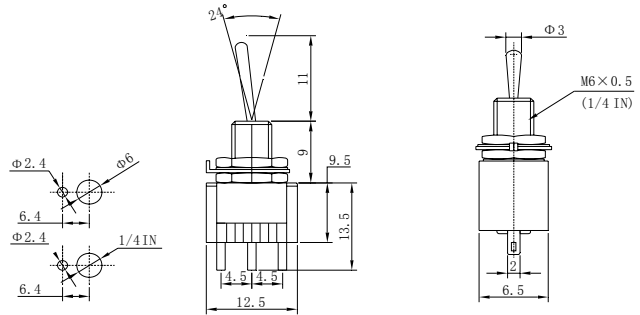




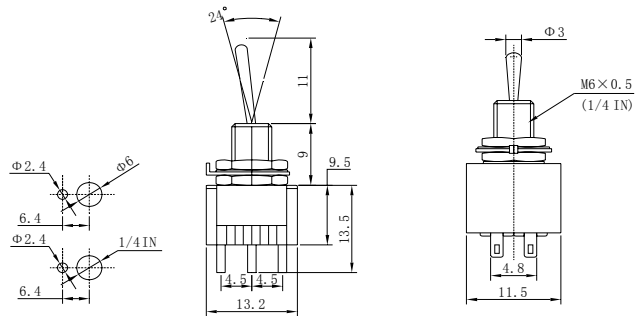
STM-101 ON-OFF
SPST 2P



STM-102 ON-ON
STM-112 ON-(ON)
STM-103 ON-OFF-ON
STM-113 ON-OFF-(ON)
STM-123 (ON)-OFF-(ON)
SPDT 3P
(METAL FLAT LEVER)



STM-202 ON-ON
STM-212 ON-(ON)
STM-203 ON-OFF-ON
STM-213 ON-OFF-(ON)
STM-223 (ON)-OFF-(ON)
SPDT 6P



MTS-101-L1 ON-OFF
SPST 2P

