

Parameter	Measurement range	Starting measurement	Accuracy
Voltage	AC70-260V	70V	±1%
Current	0-100A	0.05A	±1%
Active power	0-22kw	1.0W	±1%
Power factor	0-1PF		±1%
Frequency	45-65Hz		±1%
Energy	0-999999kwh		±1%
Communication	I . WIFI/BLE module parameters: 1.Module number: CBU-BK7231N 2. Communication standard: 802.11b/g/n 3. Communication frequency: 2.4GHz 4. Bluetooth communication: LE connect/6dB transmit power		

# MOBILE APP REMOTE MONITORING



# MULTIPLE MONITORING DATA

Voltage, current, Active power, Power factor, Frequency, Energy



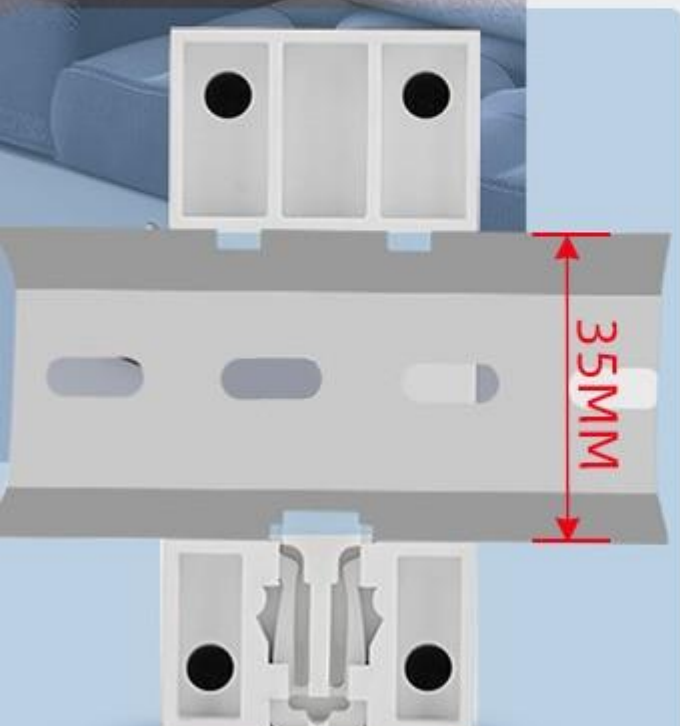
# DOWNLOAD [PEACEFAIR IOT APP] /[TUYASMART APP] SUPPORT ANDROID +IOS SYSTEM

Free to install and download, no charge. Register an account  
and enter the real-time monitoring screen



# SMALL SIZE, IT CAN BE INSTALLED IN A POWER DISTRIBUTION BOX

Guide the installation



# STANDARD POWER DISTRIBUTION INSTALLATION

35MM guide rail slot



# COMPACT SIZE 2P CIRCUIT BREAKER SIZE

Similar in shape and volume to 2P circuit breaker,  
Suitable for household electricity meter box/distribution box







# NON-CONTACT TO BE SAFE

Built-in CT screw free wiring to prevent poor contact and heat



# WIDE VOLTAGE AND CURRENT MEASUREMENT RANGE

Be open to different needs



# PLUG AND PLAY A SIMPLE AND EFFICIENT

Equipped with standard connectors,  
Avoid wrong connection and short circuit



# FIRE PROTECTION SHELL

## MORE RESISTANT TO HIGH TEMPERATURE

Shell made of PC fire retardant material,

Resistant to high temperature and not afraid of falling



FIRE



DROP



DURABLE

警告:专利产品 侵权必究

IP PRODUCT ALL RIGHTS RESERVED

实用UTILITY PATENT:202121317519.4

软著SOFTWARE COPYRIGHT:2022SR0969837



# APPLICATION SCENARIO

Facing different needs



HIGH AND LOW DISTRIBUTION CABINET



DISPLAY CABINETS



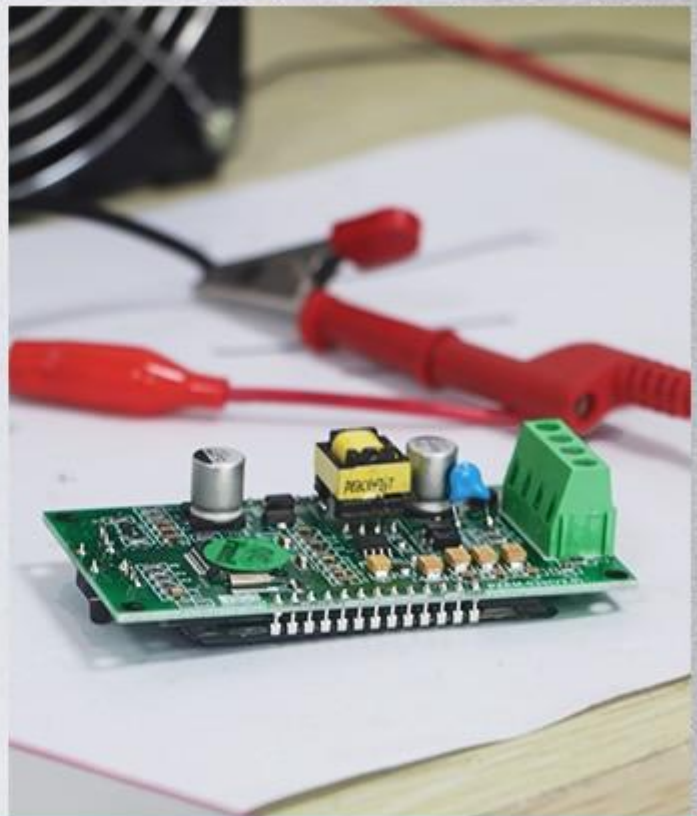
PHOTOVOLTAIC INVERTER



ASSEMBLY LINE TESTING



ELECTRONIC MAINTENANCE



RENTAL HOUSING

# REAL PRESENTATION

360° Omnidirectional display





警告: 专利产品 侵权必究  
IP PRODUCT ALL RIGHTS RESERVED  
实用 UTILITY PATENT: 202121317519.4  
软著 SOFTWARE COPYRIGHT: 2022SR0969837

警告: 专利产品 侵权必究  
IP PRODUCT ALL RIGHTS RESERVED  
实用 UTILITY PATENT: 202121317519.4  
软著 SOFTWARE COPYRIGHT: 2022SR0969837

CE FC UK CA



7 N \*







交流导轨模块  
AC Guide Rail Module

型号/Model: PZIOT-E01  
电压/Voltage: 110/220V  
电流/Current: 100A  
频率/Frequency: 50/60Hz

宁波培正电子科技有限公司  
Ningbo Peacefair Electronic Technology Co.,Ltd

警告:专利产品 侵权必究

IP PRODUCT ALL RIGHTS RESERVED  
实用UTILITY PATENT:202121317519.4  
软著SOFTWARE COPYRIGHT:2022SR0969837



UK CA

CE FCC

UK CA

L N





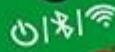
交流导轨模块  
AC Guide Rail Module

型号 / Model: PZIOT-E01  
电压 / Voltage: 110/220V  
电流 / Current: 100A  
频率 / Frequency: 50/60Hz

宁波培正电子科技有限公司  
Ningbo Peacefair Electronic Technology Co.Ltd

L N





peacefair

交流导轨模块  
AC Guide Rail Module

型号 / Model: PZIOT-E01

电压 / Voltage: 110/220V

电流 / Current: 100A

频率 / Frequency: 50/60Hz

宁波培正电子科技有限公司

Ningbo Peacefair Electronic Technology Co.Ltd



LN



警告:专利产品 侵权必究

IP PRODUCT ALL RIGHTS RESERVED

实用UTILITY PATENT:202121317519.4

软著SOFTWARE COPYRIGHT:2022SR0969837





# AC Guide Rail Module

## operation instruction

**Model: PZIOT-E01**

### A. Function

- Measure AC voltage, current, active power, power factor, frequency, energy.
- Wireless transmission through WiFi module, read data from app in the mobile phone

### B. Appearance

- This module use the standard 35mm guide rail installation method. The structure and relevant instructions are as follows (see Figure 1)

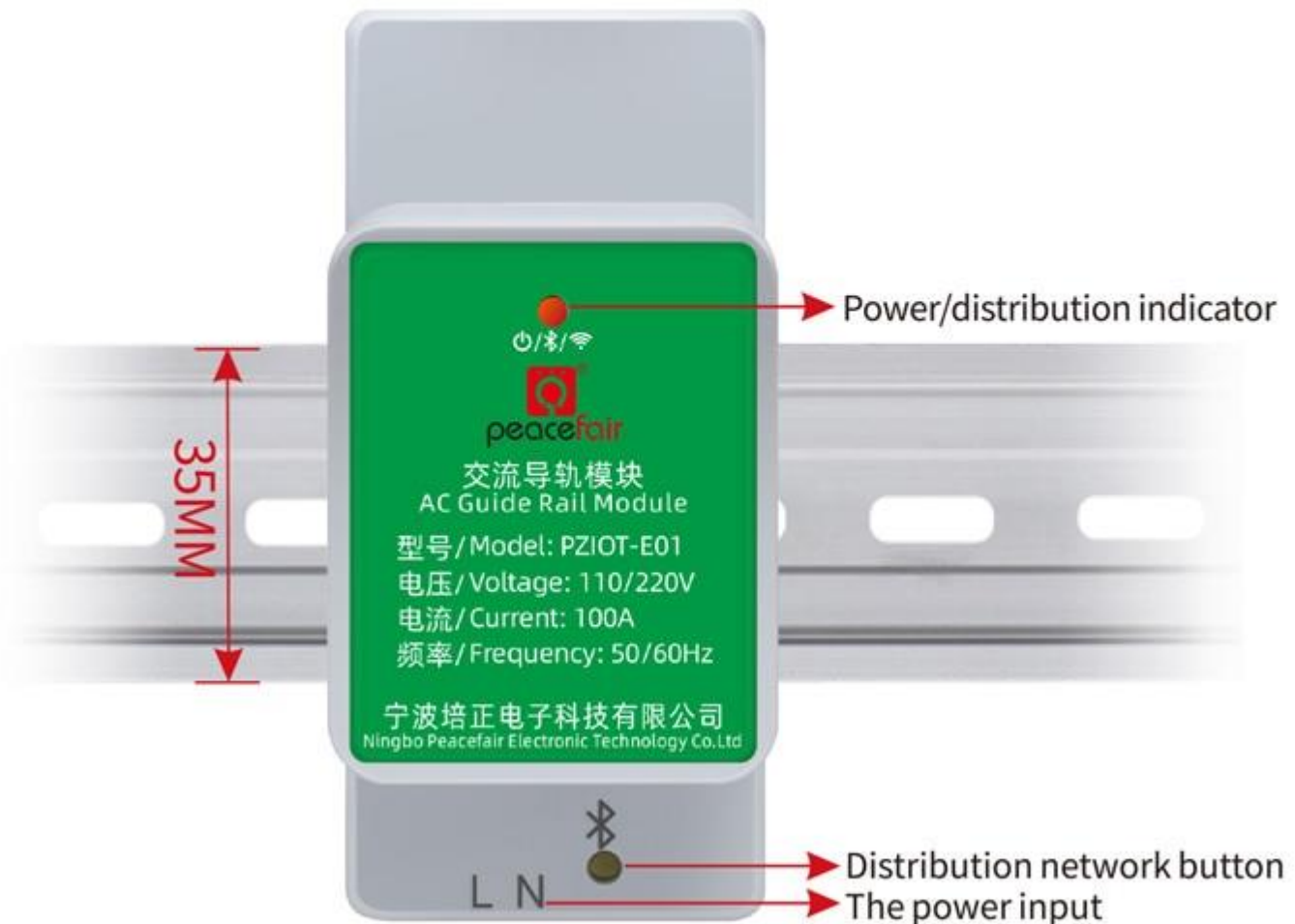


Figure 1 Structure diagram

## C.Parameters

PZIOT-E01			
Voltage	Measurement range: AC70~260V	Current	Measurement range: 0~100A
	Starting test voltage: 70V		Starting test current: 0.05A
	Accuracy: $\pm 1\%$		Accuracy: $\pm 1\%$
Active Power	Measurement range: 0~22kW	Power Factor	Measurement range: 0~1PF
	Starting test power: 1.0W		
	Accuracy: $\pm 1\%$		
Frequency	Measurement range: 45~65Hz	Energy	Measurement range: 0~999999kWh
	Accuracy: $\pm 1\%$		Over the test range will maintain the data, otherwise you reset it.
			Accuracy: $\pm 1\%$

## D. Communication

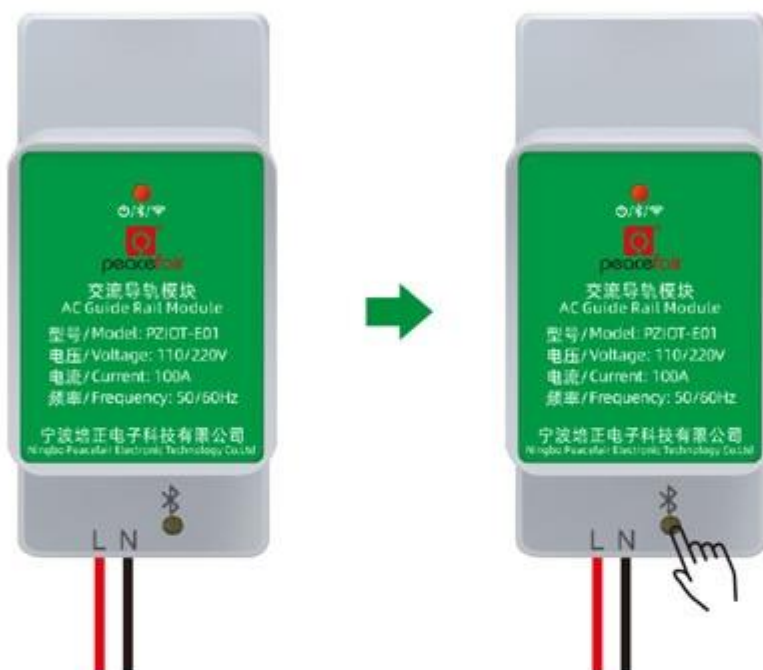
### I. WIFI/BLE module parameters

- Module number: CBU-BK7231N
- Communication standard: 802.11b/g/n
- Communication frequency: 2.4GHz
- Bluetooth communication: LE connect/6dB transmit power

### II. Distribution network

① Make the Wiring following the Figure and turn on the power

② Long press the key over than 3 seconds, the indicator light flashes means it is waiting for the distribution network



③ Open the [PEACEFAIR IOT] APP and click **Add Device** (it must be in the environment with WiFi and Bluetooth enabled)



## F. Wiring

○ Wiring diagram (see Figure2、Figure3)

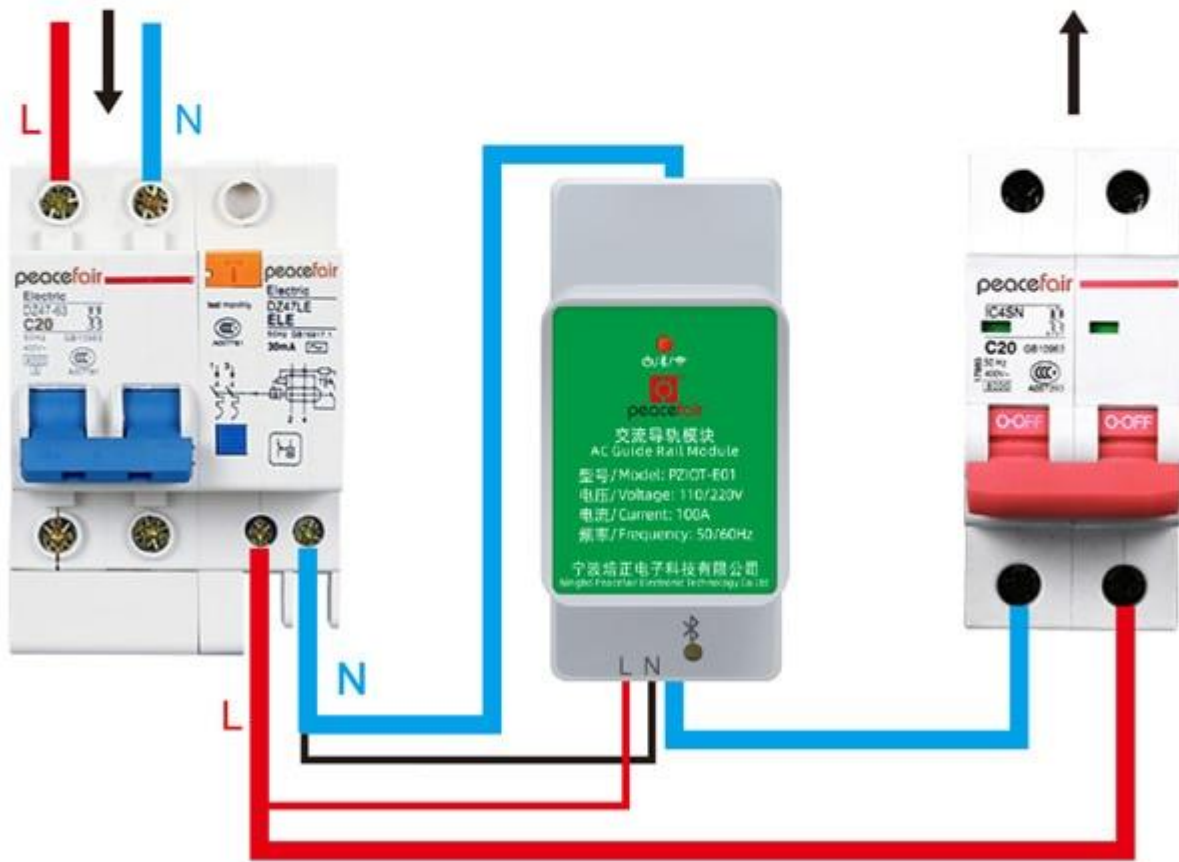


Figure2 Up in and down out / No need to distinguish N L

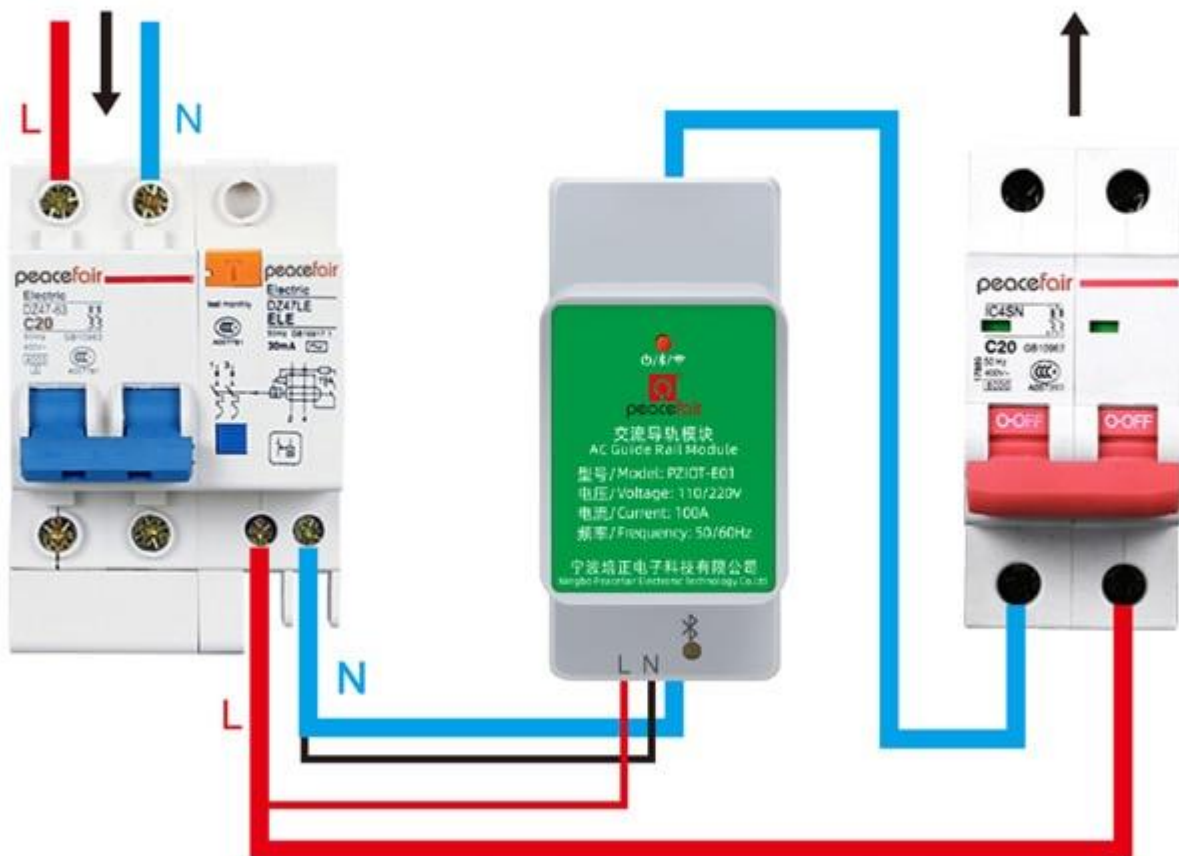


Figure3 Down in and up out / No need to distinguish N L



## G. Dimension Diagram (mm)

● Size diagram (see Figure 4)

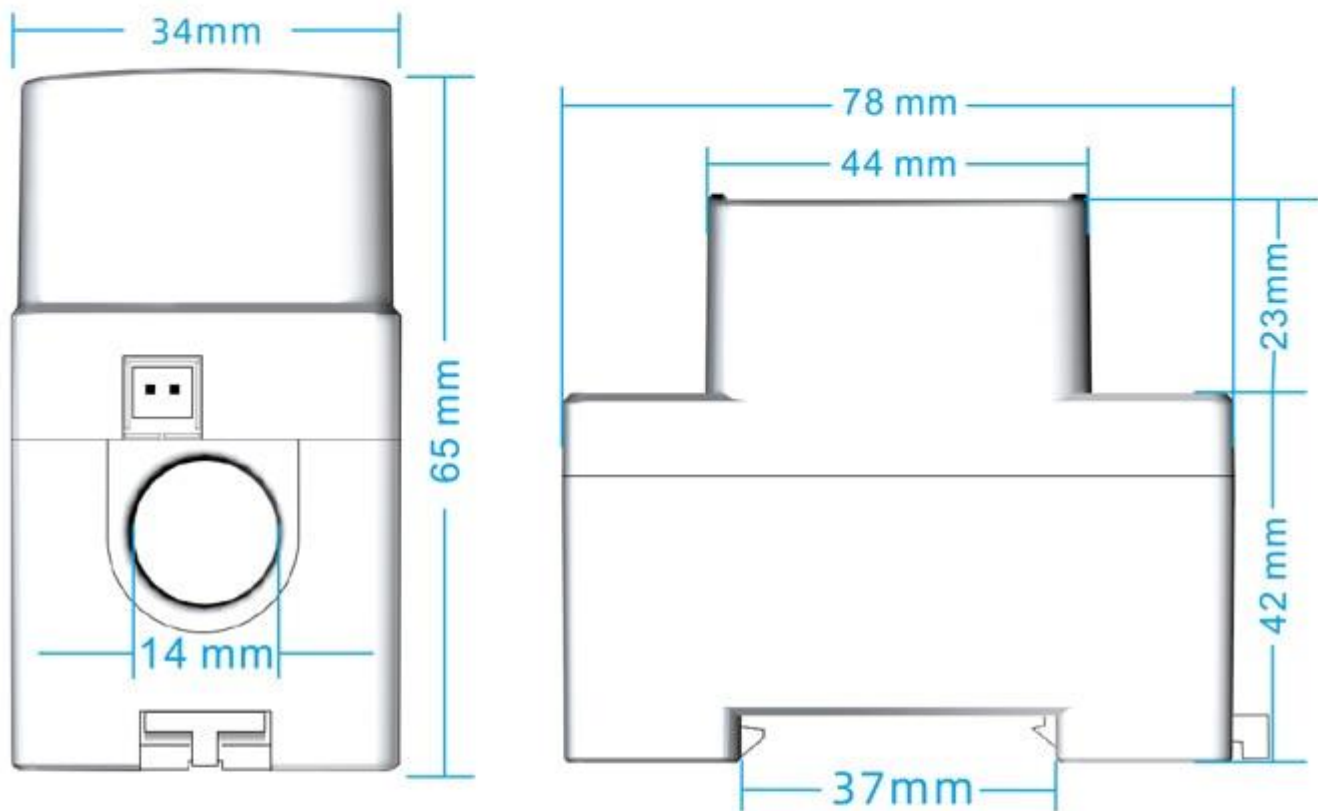


Figure 4 outline dimensions

## H. Attention

- This product is suitable for indoor use.
- This product is suitable for AC.
- The measurement voltage and ampere shall not exceed the calibration range.
- Make sure the wiring is correct.